

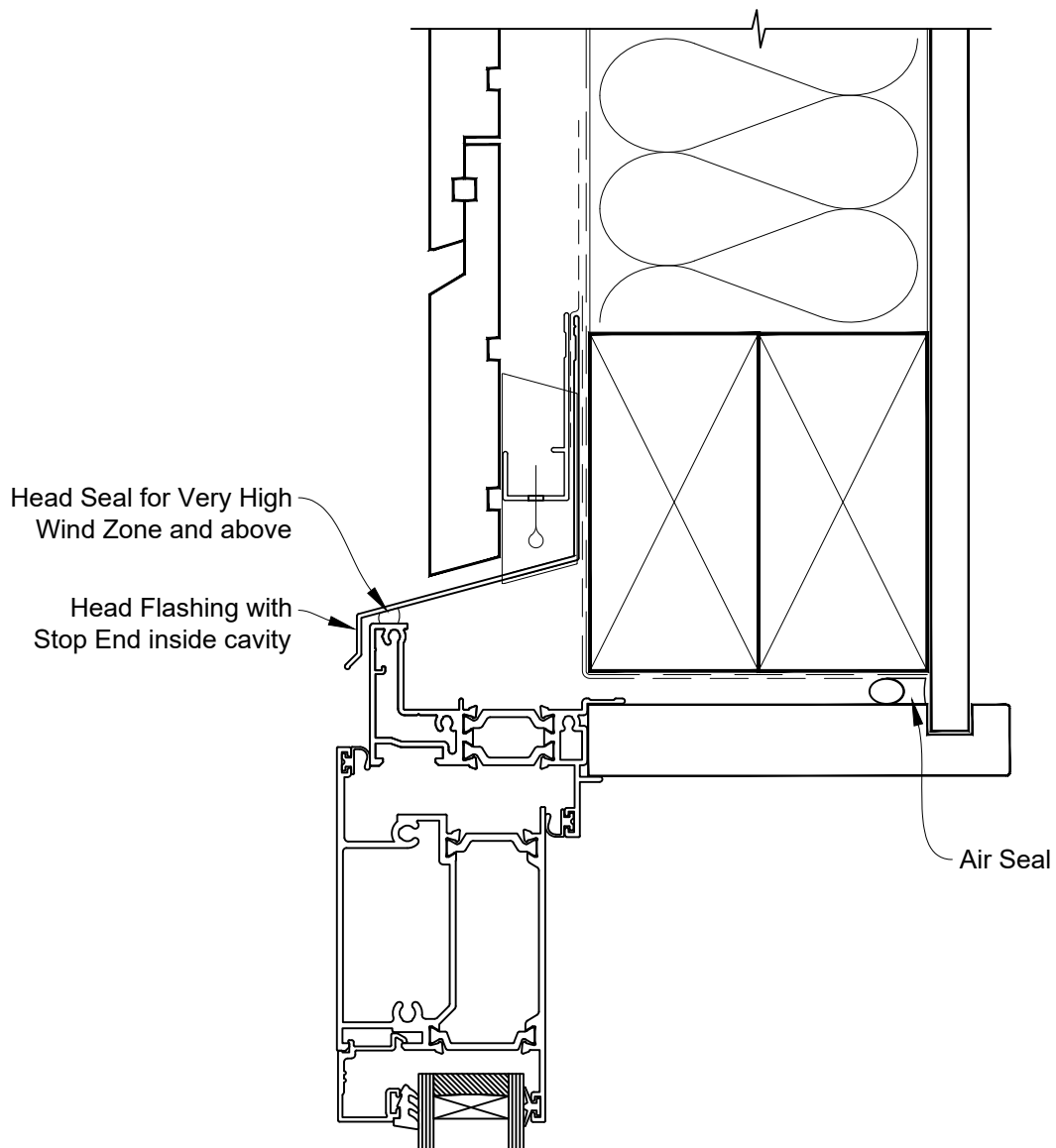


# INSTALLATION DETAIL - RESIDENTIAL THERMAL HEART HINGE DOOR OPEN OUT ON RUSTICATED WEATHERBOARD CAVITY CONSTRUCTION

Date: 01.01.23

Scale: 1:2

CAD Ref.: TRHORW-CH



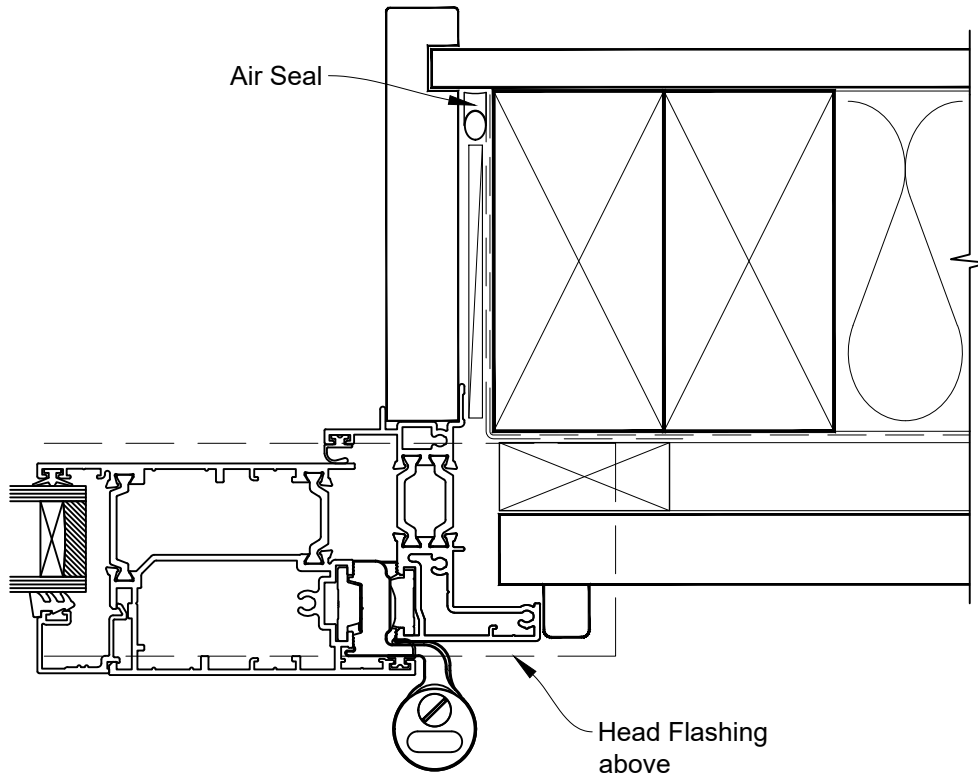


# INSTALLATION DETAIL - RESIDENTIAL THERMAL HEART HINGE DOOR OPEN OUT ON RUSTICATED WEATHERBOARD CAVITY CONSTRUCTION

Date: 01.01.23

Scale: 1:2

CAD Ref.: TRHORW-CJ



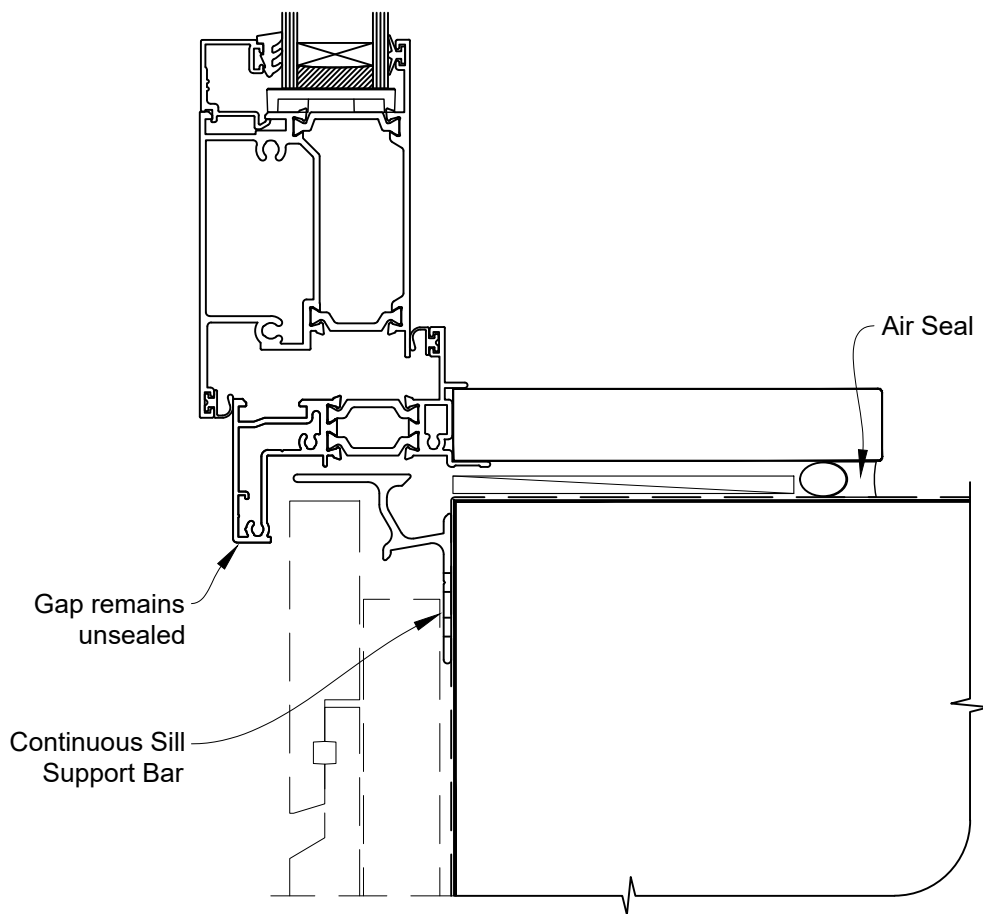


# INSTALLATION DETAIL - RESIDENTIAL THERMAL HEART HINGE DOOR OPEN OUT ON RUSTICATED WEATHERBOARD CAVITY CONSTRUCTION

Date: 01.01.23

Scale: 1:2

CAD Ref.: TRHORW-CS



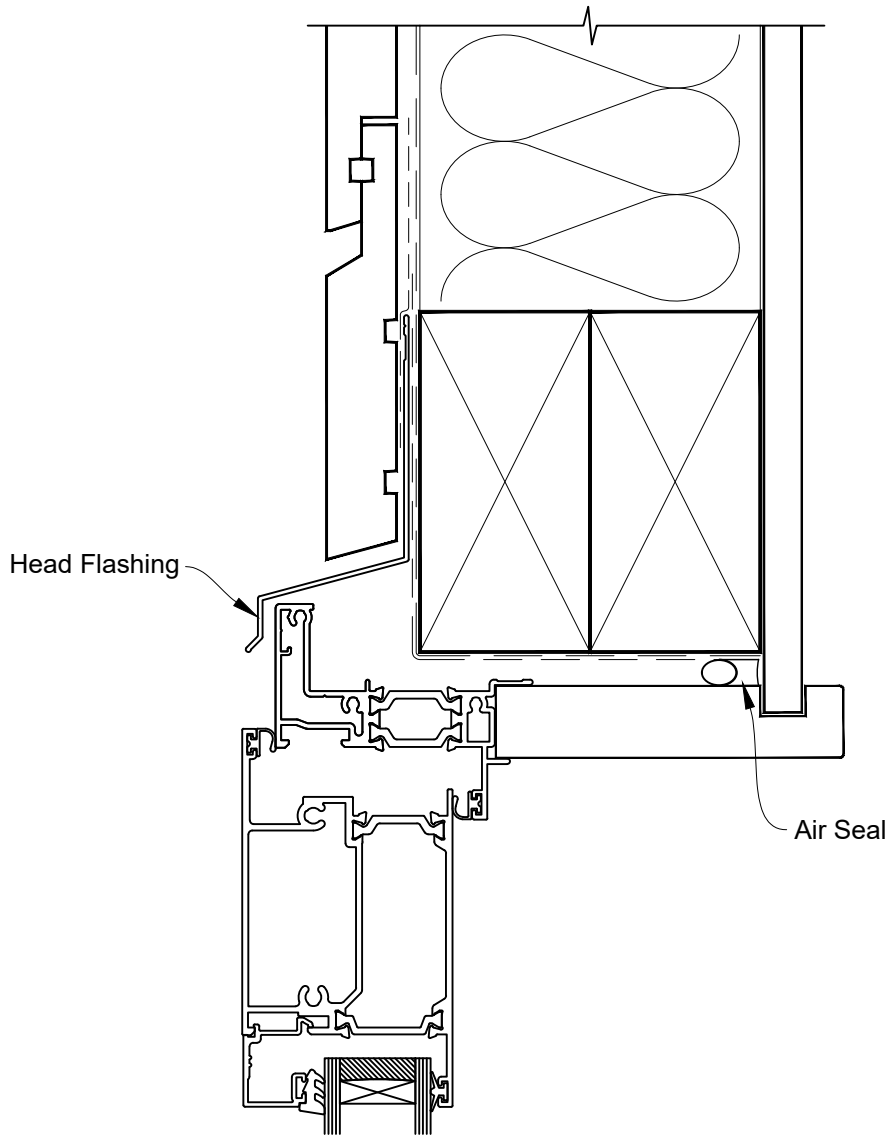


# INSTALLATION DETAIL - RESIDENTIAL THERMAL HEART HINGE DOOR OPEN OUT ON RUSTICATED WEATHERBOARD DIRECT FIXED CLADDING

Date: 01.01.23

Scale: 1:2

CAD Ref.: TRHORW-DH



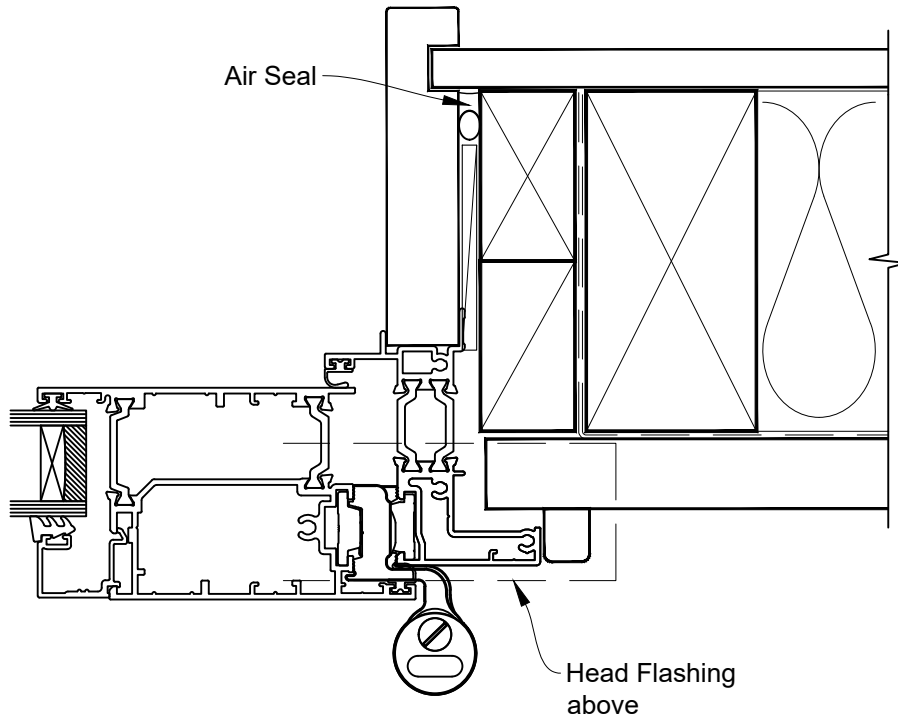


# INSTALLATION DETAIL - RESIDENTIAL THERMAL HEART HINGE DOOR OPEN OUT ON RUSTICATED WEATHERBOARD DIRECT FIXED CLADDING

Date: 01.01.23

Scale: 1:2

CAD Ref.: TRHORW-DJ





# INSTALLATION DETAIL - RESIDENTIAL THERMAL HEART HINGE DOOR OPEN OUT ON RUSTICATED WEATHERBOARD DIRECT FIXED CLADDING

Date: 01.01.23

Scale: 1:2

CAD Ref.: TRHORW-DS

