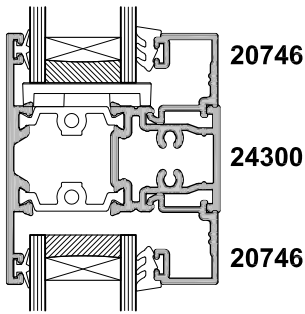


SECTION A-A



SECTION A-A

SECTION B-B

SECTION B-B

