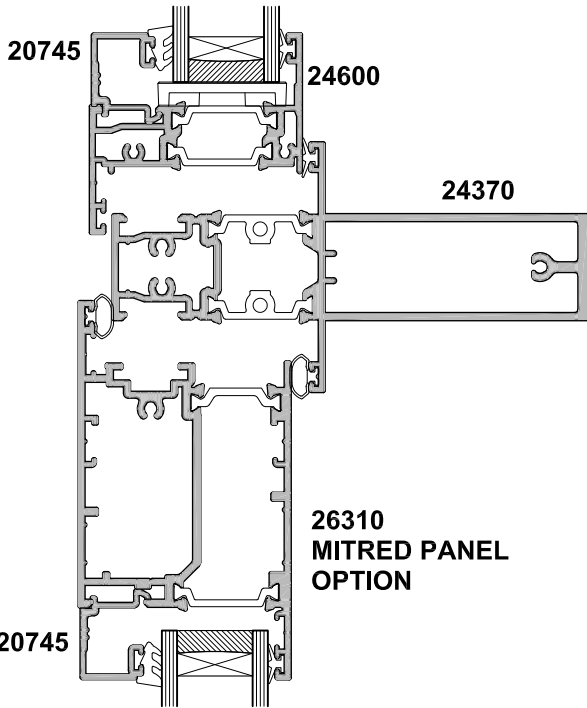
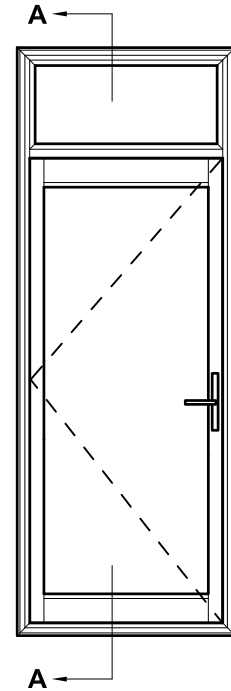
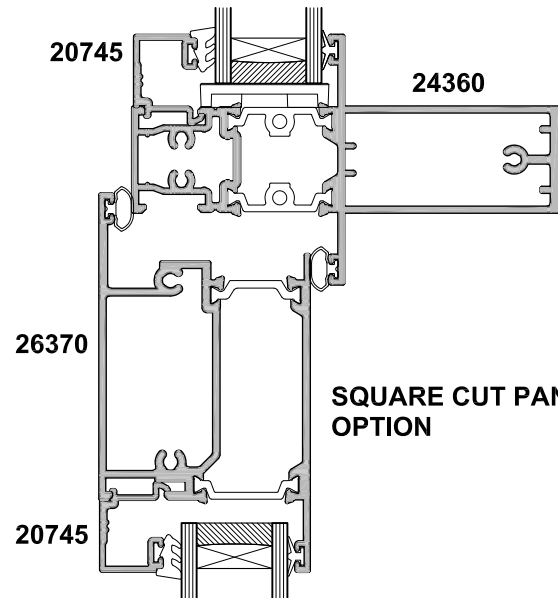


56mm SASH

SECTION A-A



26310
MITRED PANEL
OPTION



SQUARE CUT PANEL
OPTION

