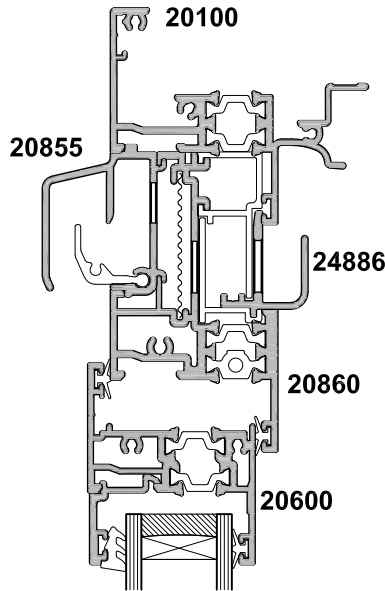
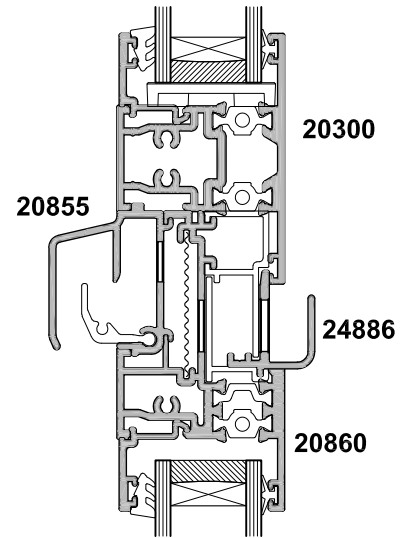


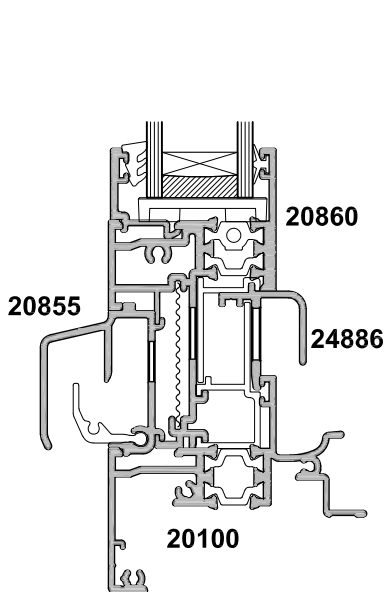
**AEROVENT AT THE HEAD  
OF A FACING FRAME**



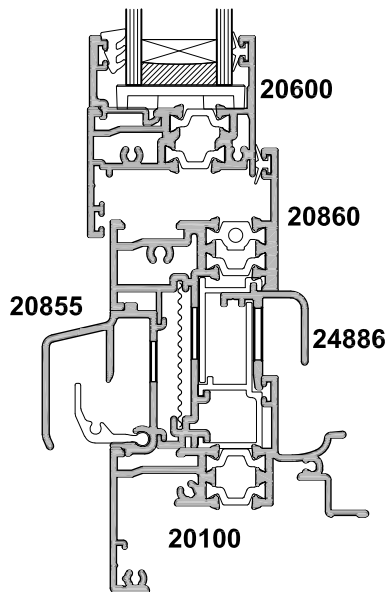
**SASH UNDER AN  
AEROVENT**



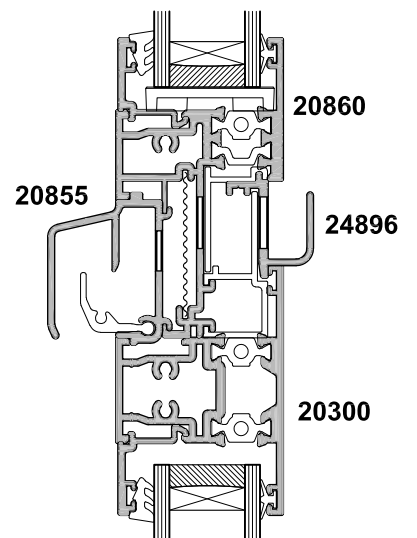
**AEROVENT UNDER A  
TRANSOM**



**AEROVENT AT THE SILL  
OF A FACING FRAME**



**SASH OVER AN  
AEROVENT**



**AEROVENT OVER A  
TRANSOM**