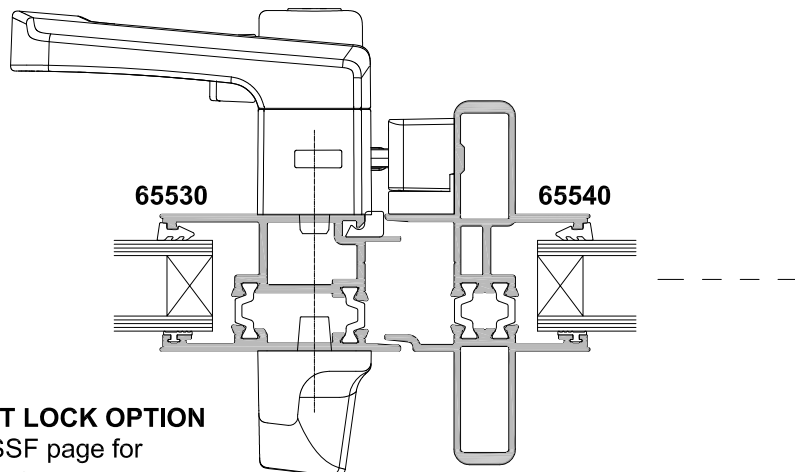
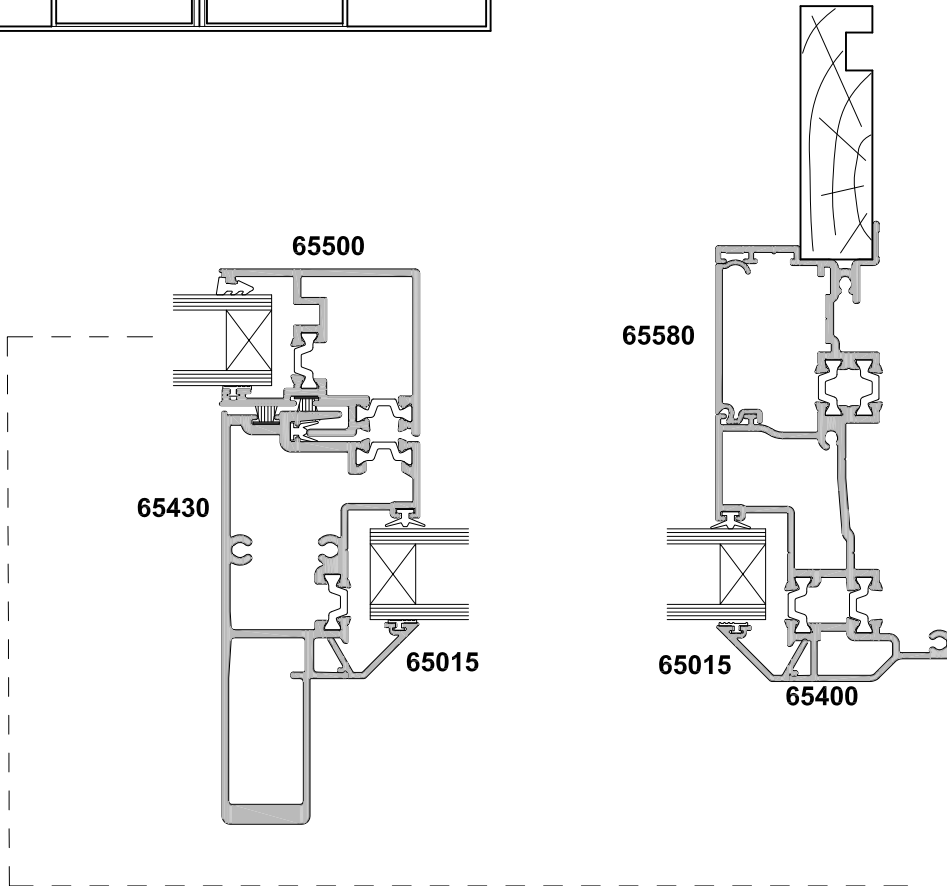
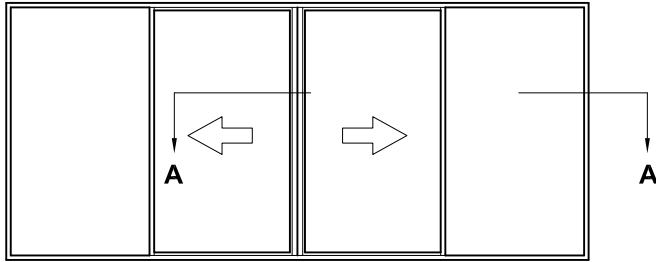


ALThERM THERMAL HEART, SLIDING DOOR FOUR PANEL FSSF CROSS SECTION

Cad Ref. ARTSD05-0 Scale 1:2 Date 30.01.18



SURFACE MOUNT LOCK OPTION
Refer to FSSSF page for
the Morticed lock option