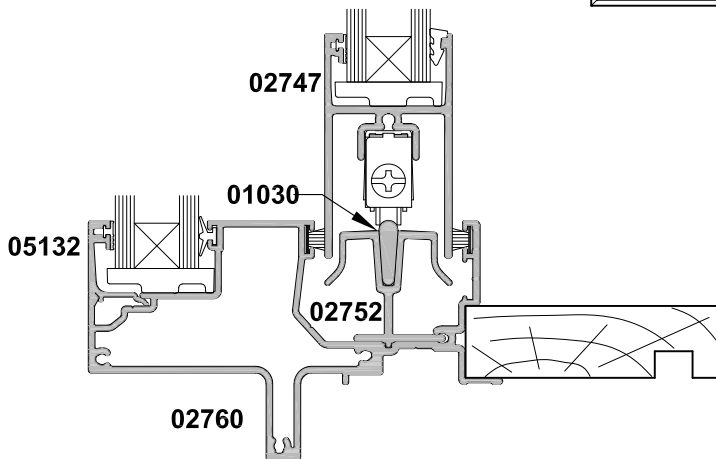
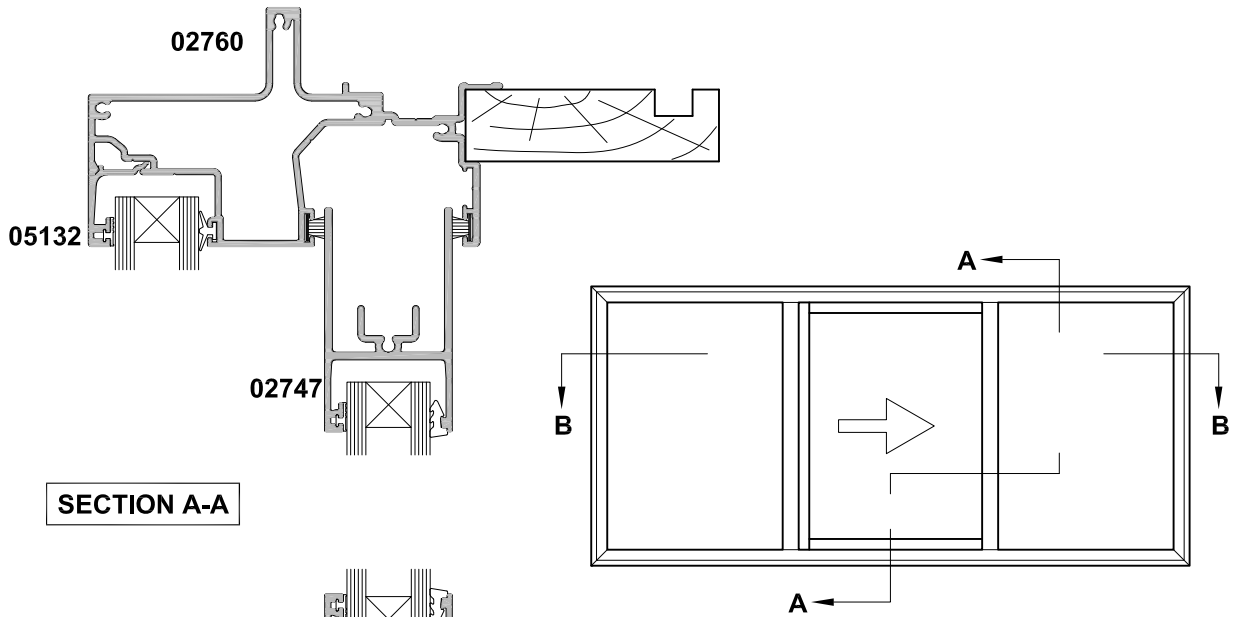


SLIDEMASTER SLIDING WINDOW FSF DOUBLE GLAZED CROSS SECTION

Cad Ref. ASW03-0 Scale 1:2 Date 01.04.19



SECTION B-B

