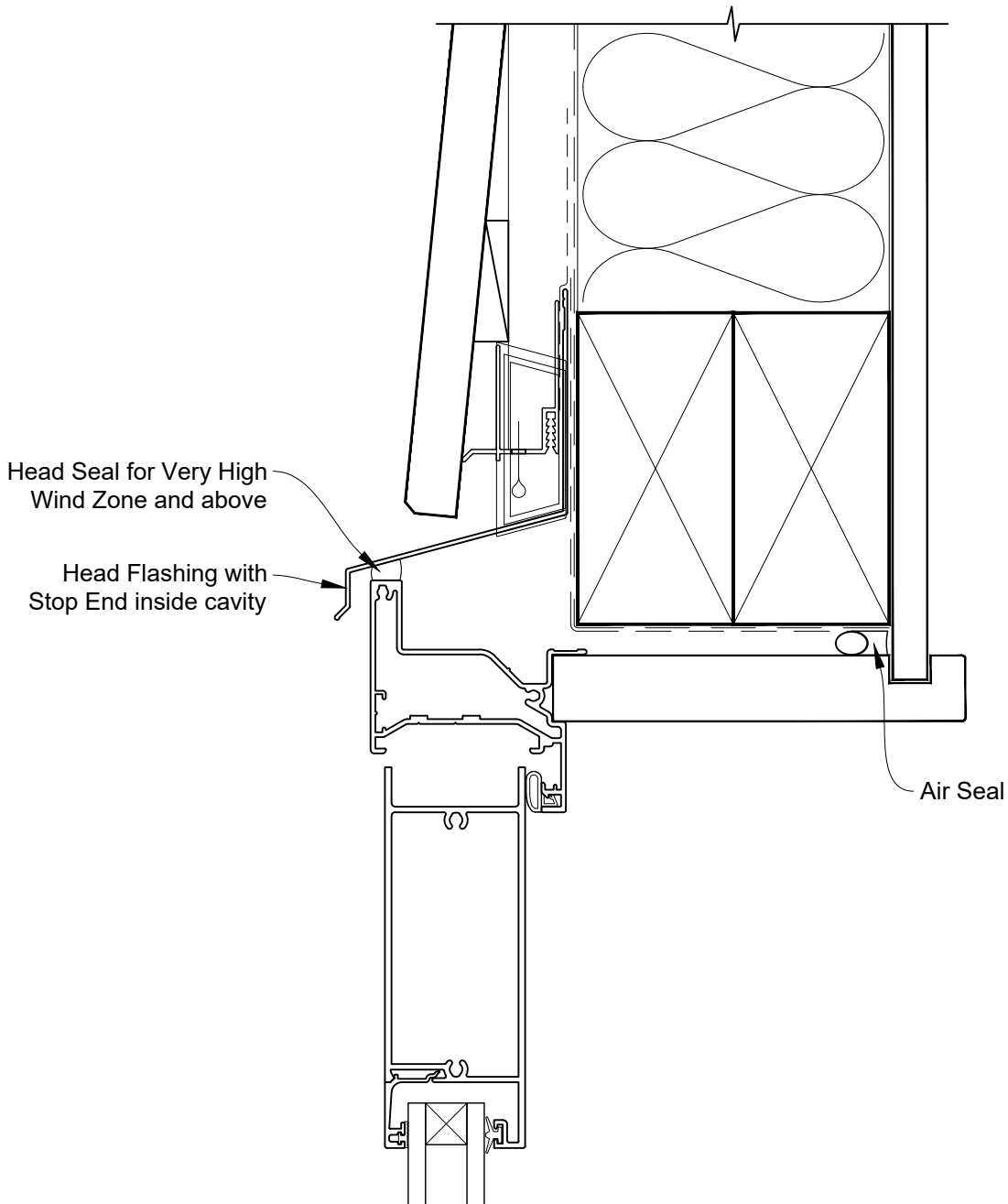


INSTALLATION DETAIL - ALTherm RESIDENTIAL HINGED DOOR OPEN OUT ON BEVELBACK WEATHERBOARD CAVITY CONSTRUCTION

Date: 01.04.19

Scale: 1:2

CAD Ref.: ARHOBW-CH

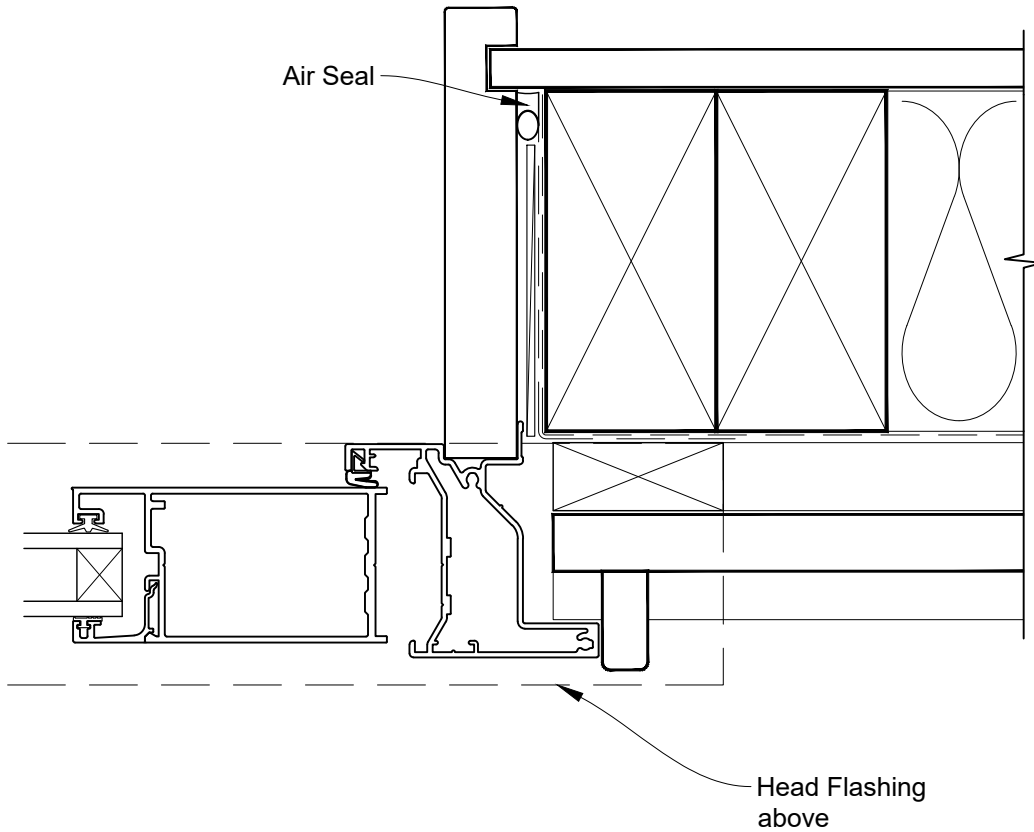


INSTALLATION DETAIL - ALTHERM RESIDENTIAL HINGED DOOR OPEN OUT ON BEVELBACK WEATHERBOARD CAVITY CONSTRUCTION

Date: 01.04.19

Scale: 1:2

CAD Ref.: ARHOBW-CJ

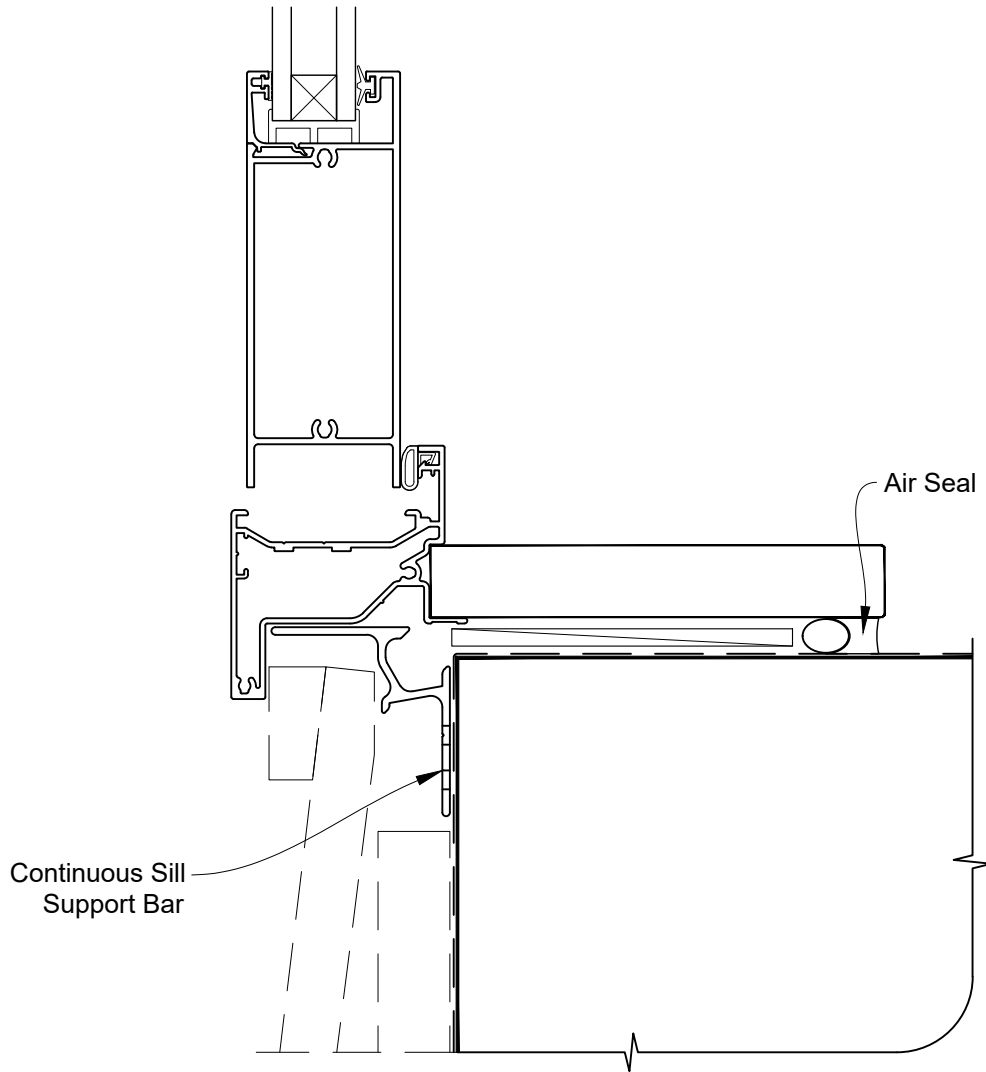


INSTALLATION DETAIL - ALTHERM RESIDENTIAL HINGED DOOR OPEN OUT ON BEVELBACK WEATHERBOARD CAVITY CONSTRUCTION

Date: 01.04.19

Scale: 1:2

CAD Ref.: ARHOBW-CS

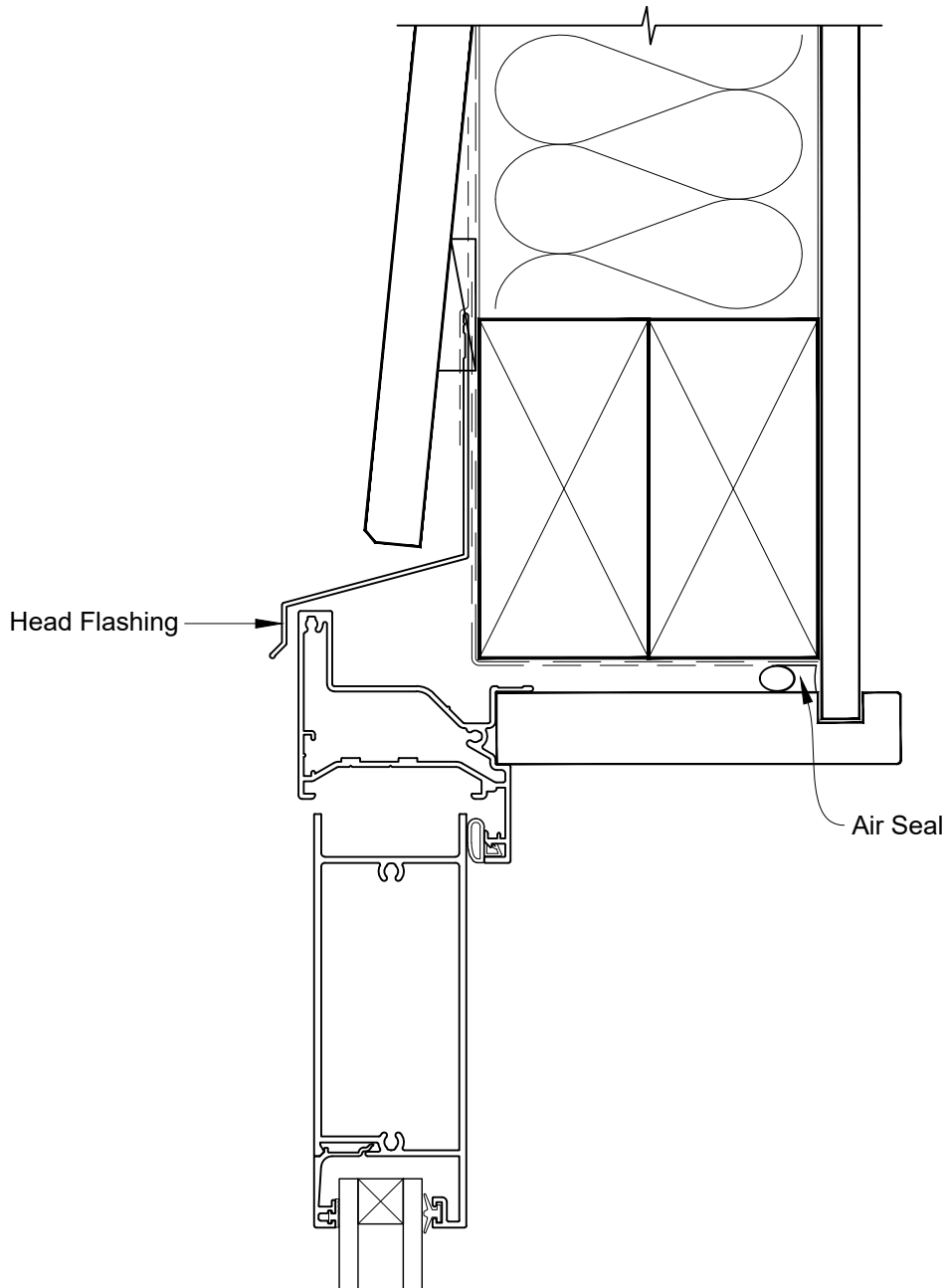


**INSTALLATION DETAIL - ALTHERM RESIDENTIAL
HINGED DOOR OPEN OUT ON BEVELBACK WEATHERBOARD
DIRECT FIXED CLADDING**

Date: 01.04.19

Scale: 1:2

CAD Ref.: ARHOBW-DH

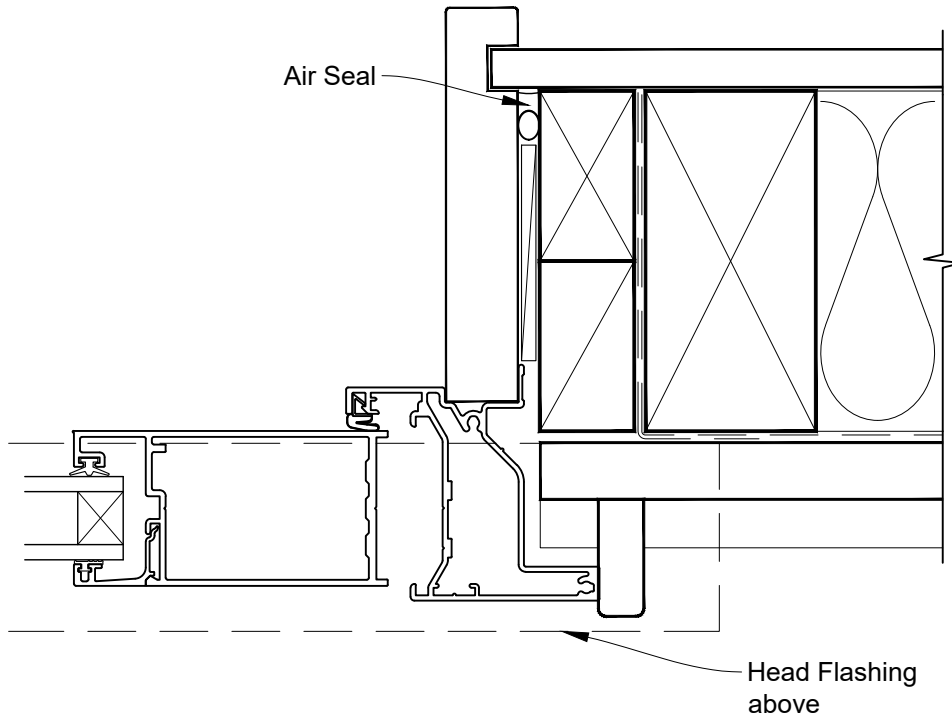


**INSTALLATION DETAIL - ALTherm RESIDENTIAL
HINGED DOOR OPEN OUT ON BEVELBACK WEATHERBOARD
DIRECT FIXED CLADDING**

Date: 01.04.19

Scale: 1:2

CAD Ref.: ARHOBW-DJ



INSTALLATION DETAIL - ALTherm RESIDENTIAL HINGED DOOR OPEN OUT ON BEVELBACK WEATHERBOARD DIRECT FIXED CLADDING

Date: 01.04.19

Scale: 1:2

CAD Ref.: ARHOBW-DS

