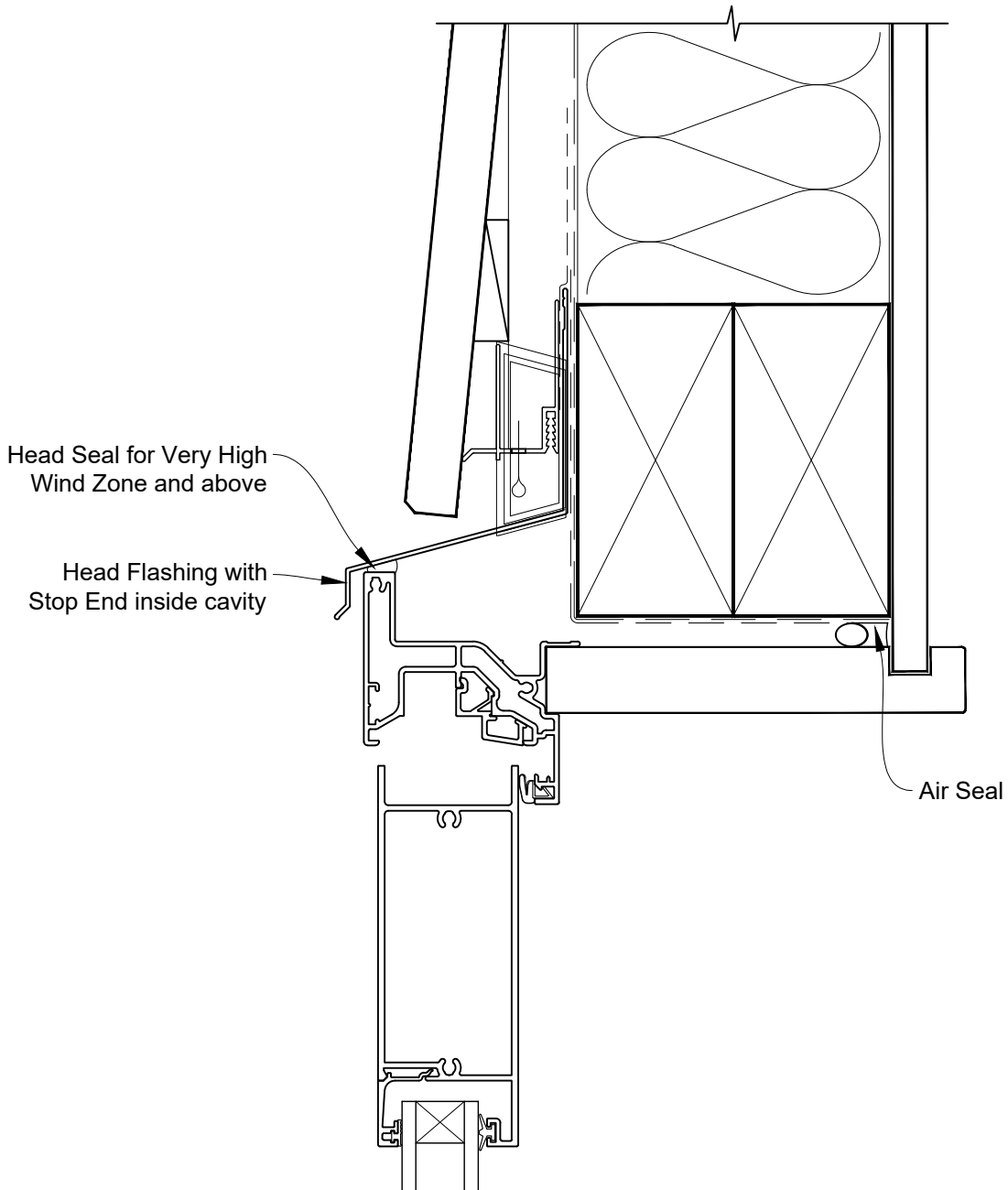


# INSTALLATION DETAIL - ALTHERM RESIDENTIAL BIFOLD DOOR OPEN OUT ON BEVELBACK WEATHERBOARD CAVITY CONSTRUCTION

Date: 01.04.19

Scale: 1:2

CAD Ref.: ARBOBW-CH

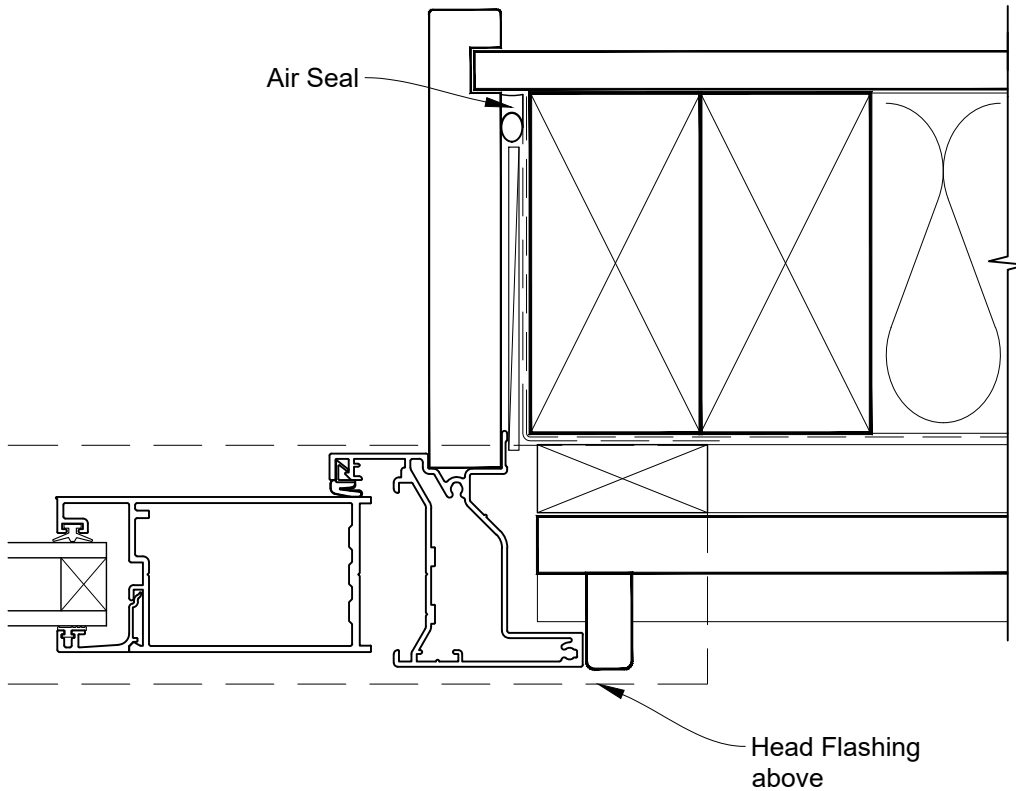


# INSTALLATION DETAIL - ALTHERM RESIDENTIAL BIFOLD DOOR OPEN OUT ON BEVELBACK WEATHERBOARD CAVITY CONSTRUCTION

Date: 01.04.19

Scale: 1:2

CAD Ref.: ARBOBW-CJ

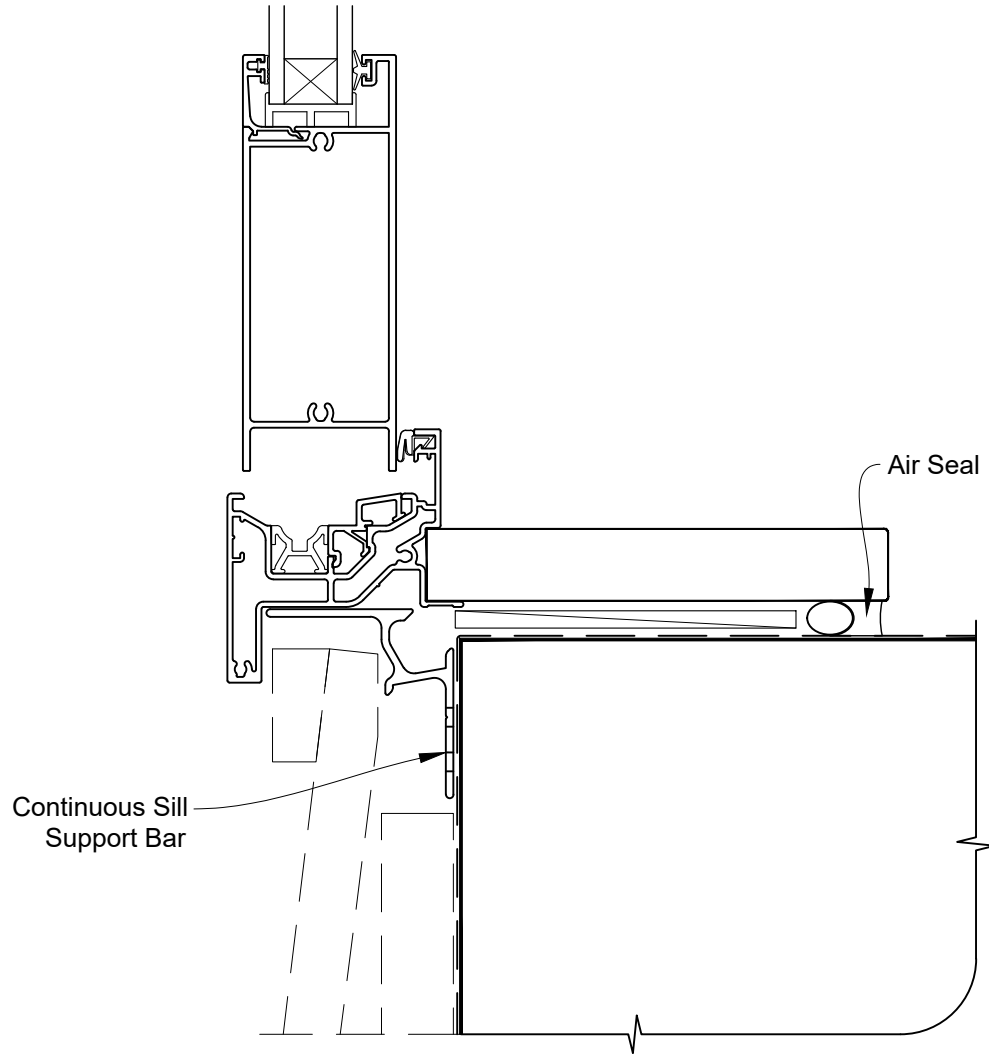


# INSTALLATION DETAIL - ALTHERM RESIDENTIAL BIFOLD DOOR OPEN OUT ON BEVELBACK WEATHERBOARD CAVITY CONSTRUCTION

Date: 01.04.19

Scale: 1:2

CAD Ref.: ARBOBW-CS

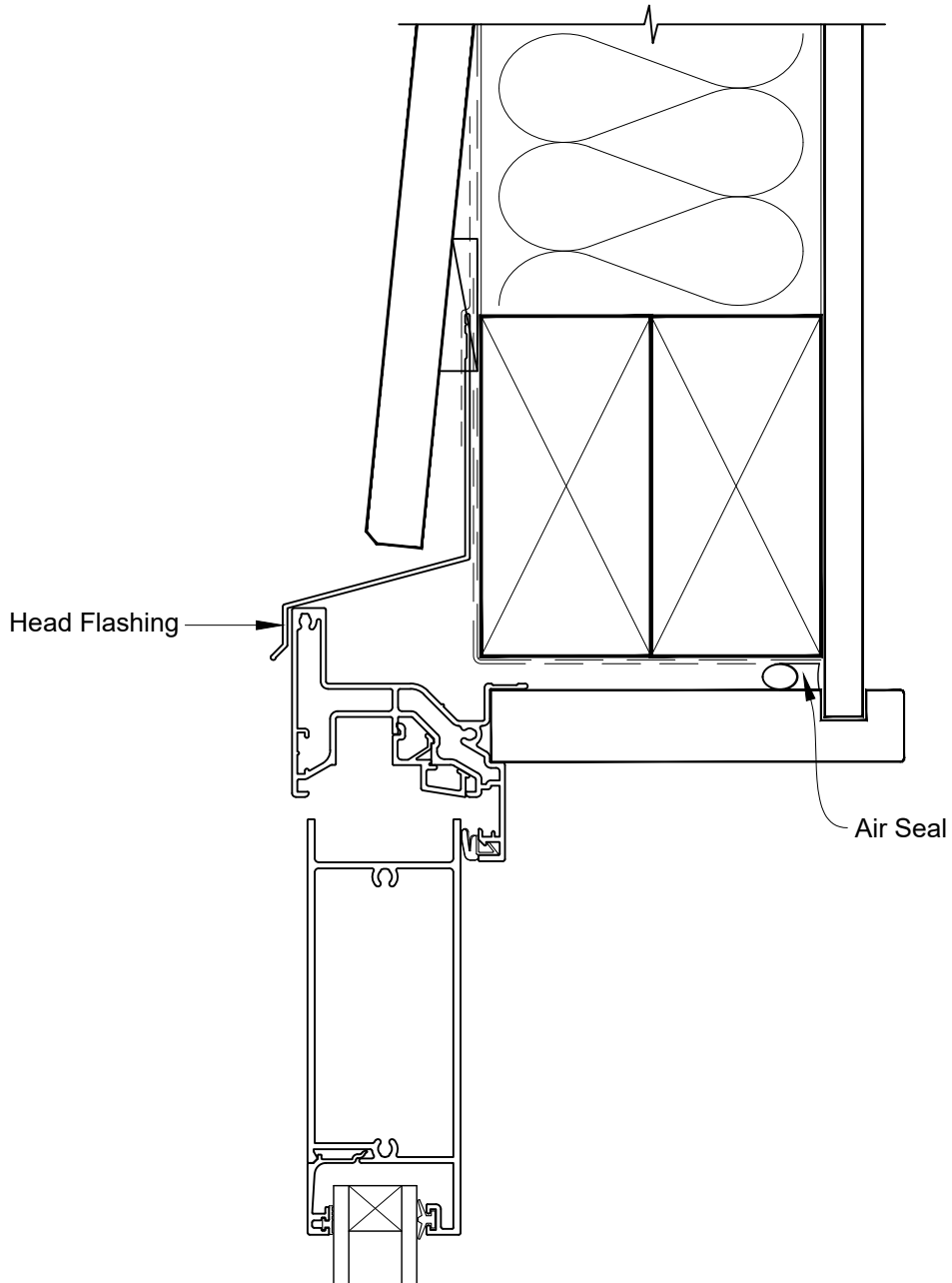


**INSTALLATION DETAIL - ALTHERM RESIDENTIAL  
BIFOLD DOOR OPEN OUT ON BEVELBACK WEATHERBOARD  
DIRECT FIXED CLADDING**

Date: 01.04.19

Scale: 1:2

CAD Ref.: ARBOBW-DH

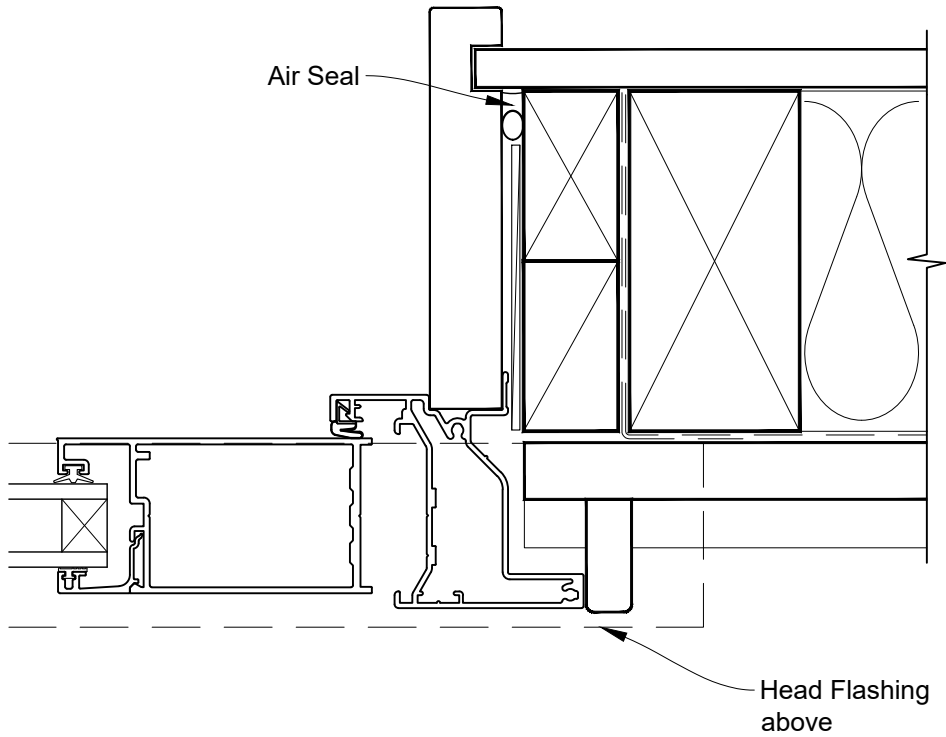


**INSTALLATION DETAIL - ALTHERM RESIDENTIAL  
BIFOLD DOOR OPEN OUT ON BEVELBACK WEATHERBOARD  
DIRECT FIXED CLADDING**

Date: 01.04.19

Scale: 1:2

CAD Ref.: ARBOBW-DJ



**INSTALLATION DETAIL - ALTherm RESIDENTIAL  
BIFOLD DOOR OPEN OUT ON BEVELBACK WEATHERBOARD  
DIRECT FIXED CLADDING**

Date: 01.04.19

Scale: 1:2

CAD Ref.: ARBOBW-DS

