

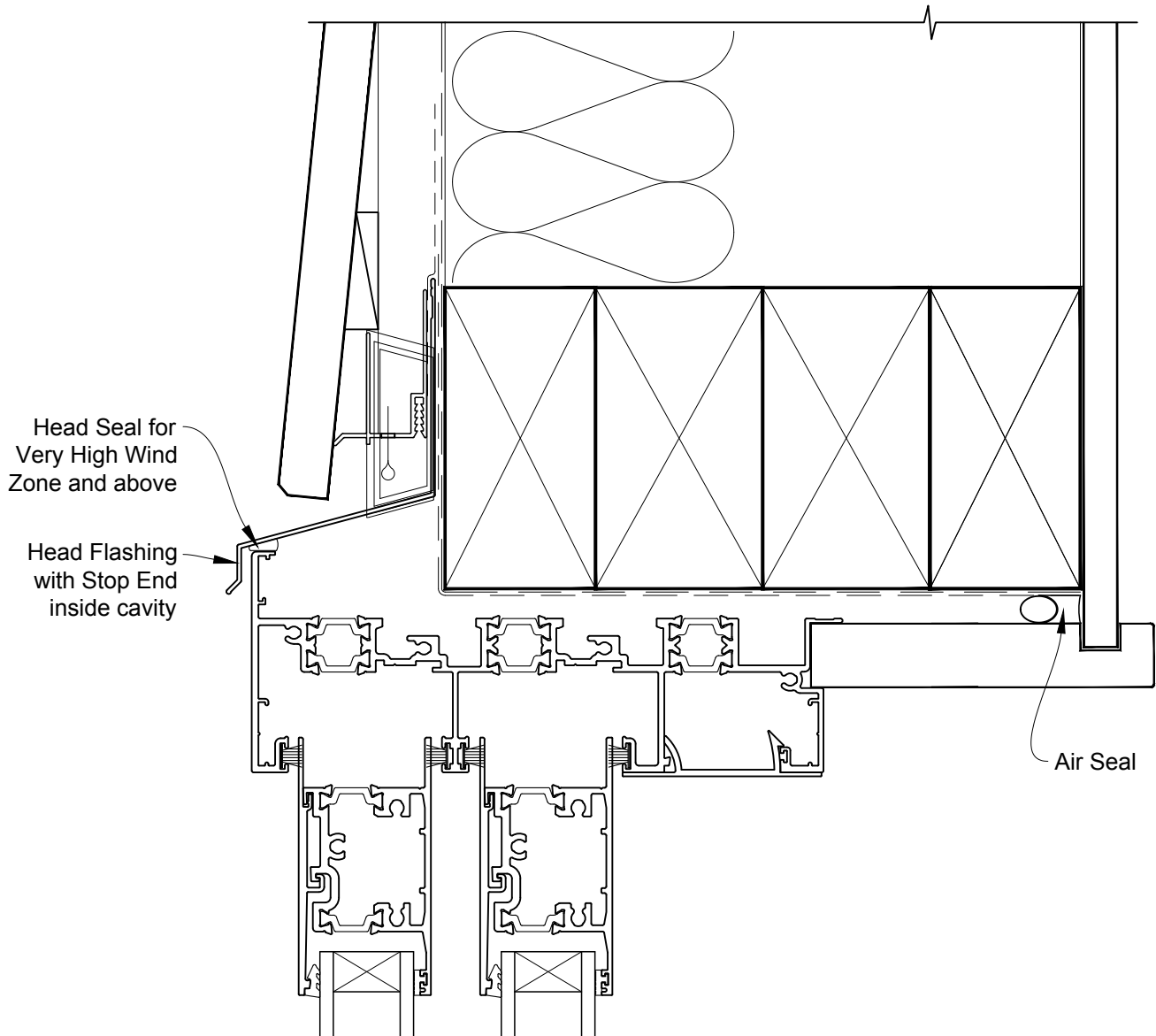


# INSTALLATION DETAIL - METRO THERMAL HEART MULTISLIDER WINDOW ON BEVELBACK WEATHERBOARD CAVITY CONSTRUCTION

Date: 01.09.16

Scale: 1:2

CAD Ref.: MTMWBW-CH



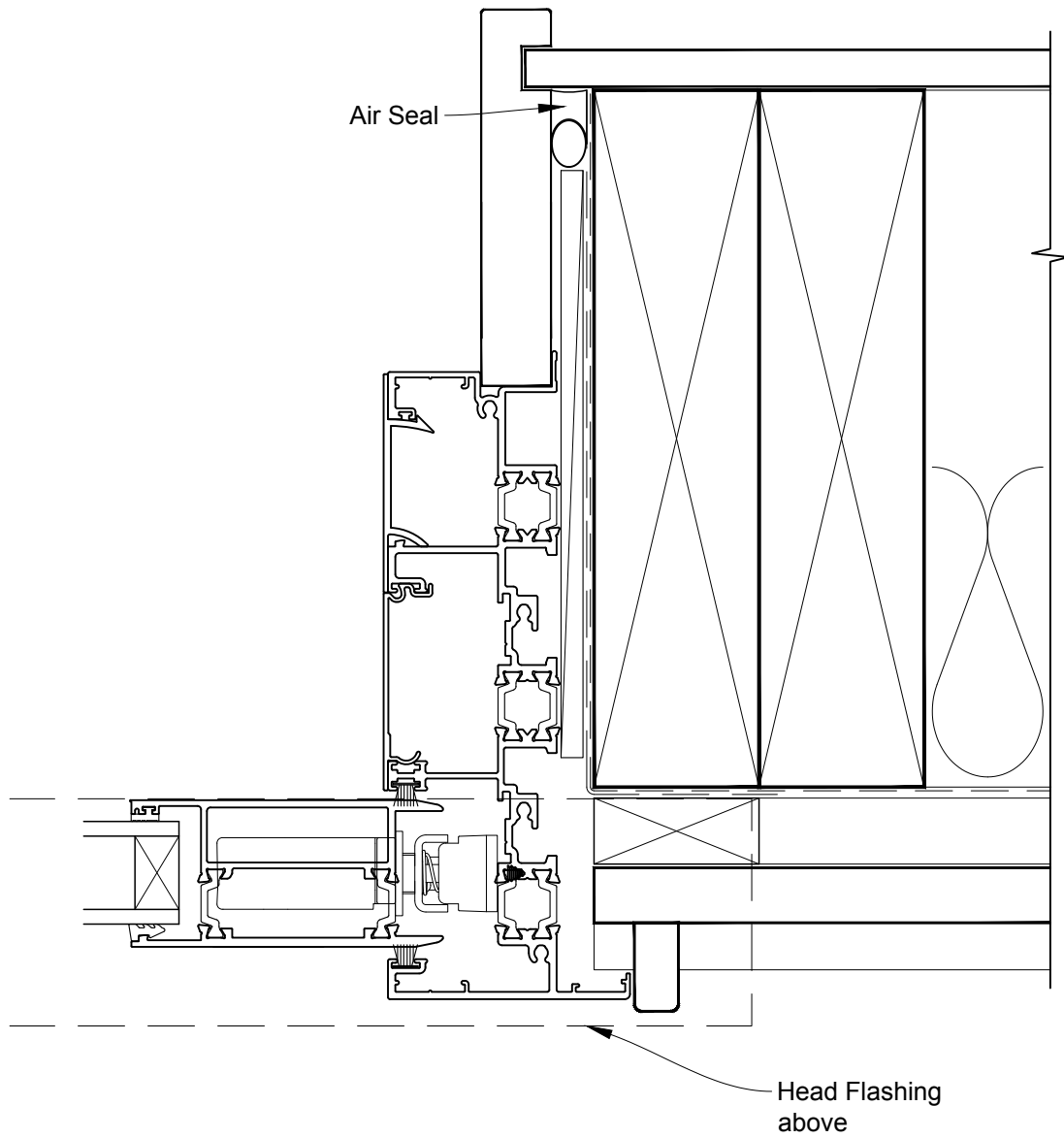


# INSTALLATION DETAIL - METRO THERMAL HEART MULTISLIDER WINDOW ON BEVELBACK WEATHERBOARD CAVITY CONSTRUCTION

Date: 01.09.16

Scale: 1:2

CAD Ref.: MTMWBW-CJ



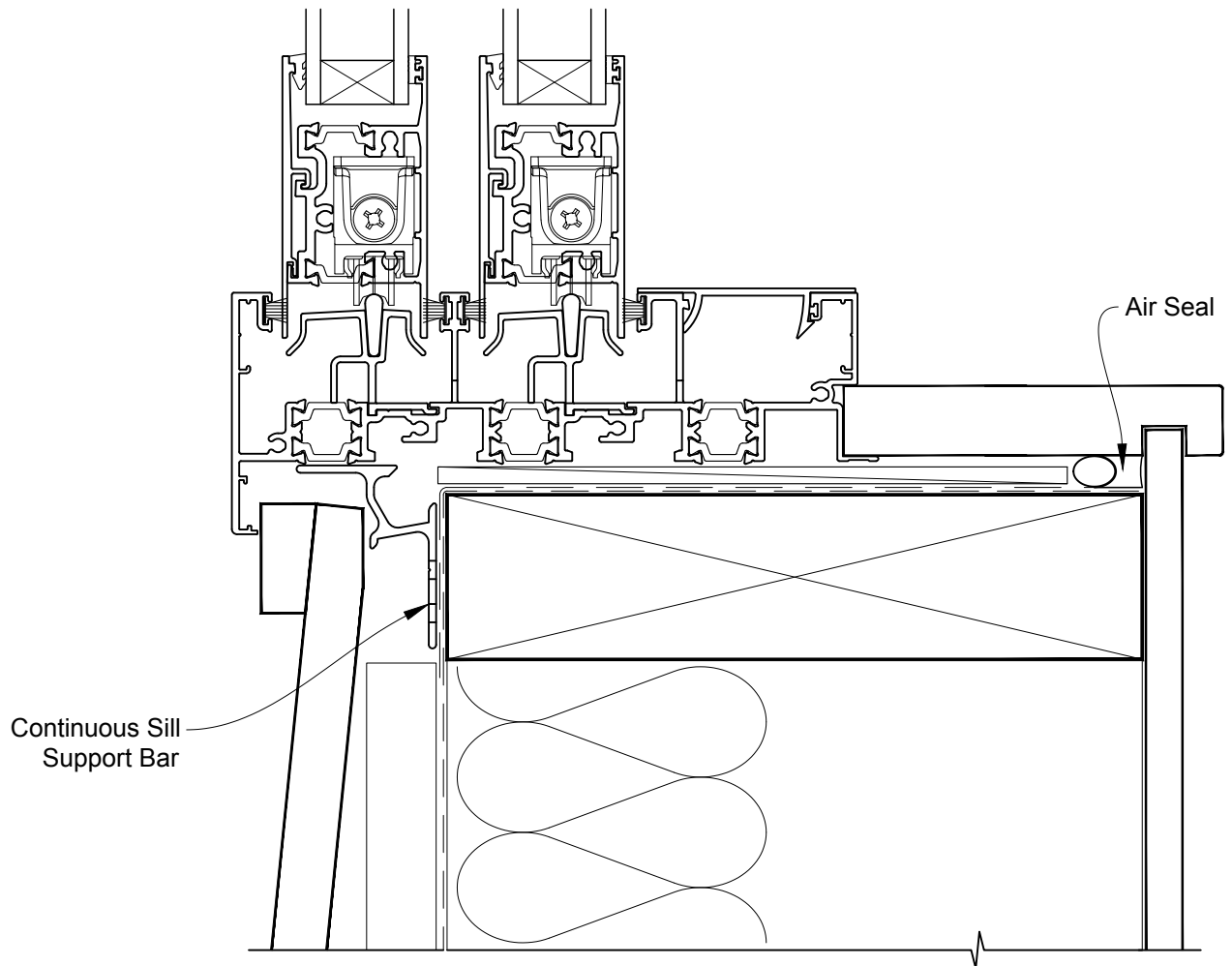


# INSTALLATION DETAIL - METRO THERMAL HEART MULTISLIDER WINDOW ON BEVELBACK WEATHERBOARD CAVITY CONSTRUCTION

Date: 01.09.16

Scale: 1:2

CAD Ref.: MTMWBW-CS



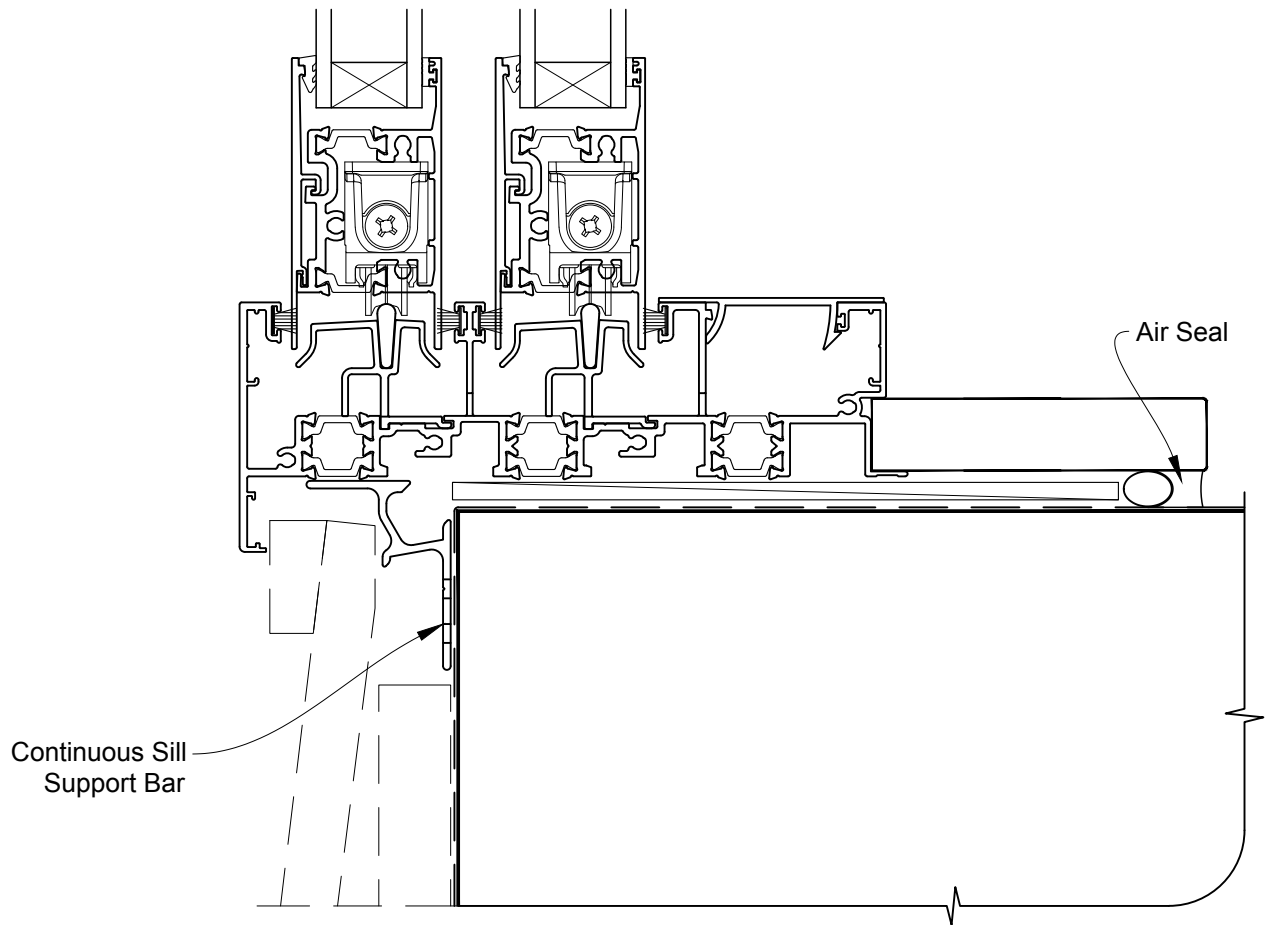


# INSTALLATION DETAIL - METRO THERMAL HEART MULTISLIDER WINDOW ON BEVELBACK WEATHERBOARD CAVITY CONSTRUCTION

Date: 01.09.16

Scale: 1:2

CAD Ref.: MTMWBW-CS2



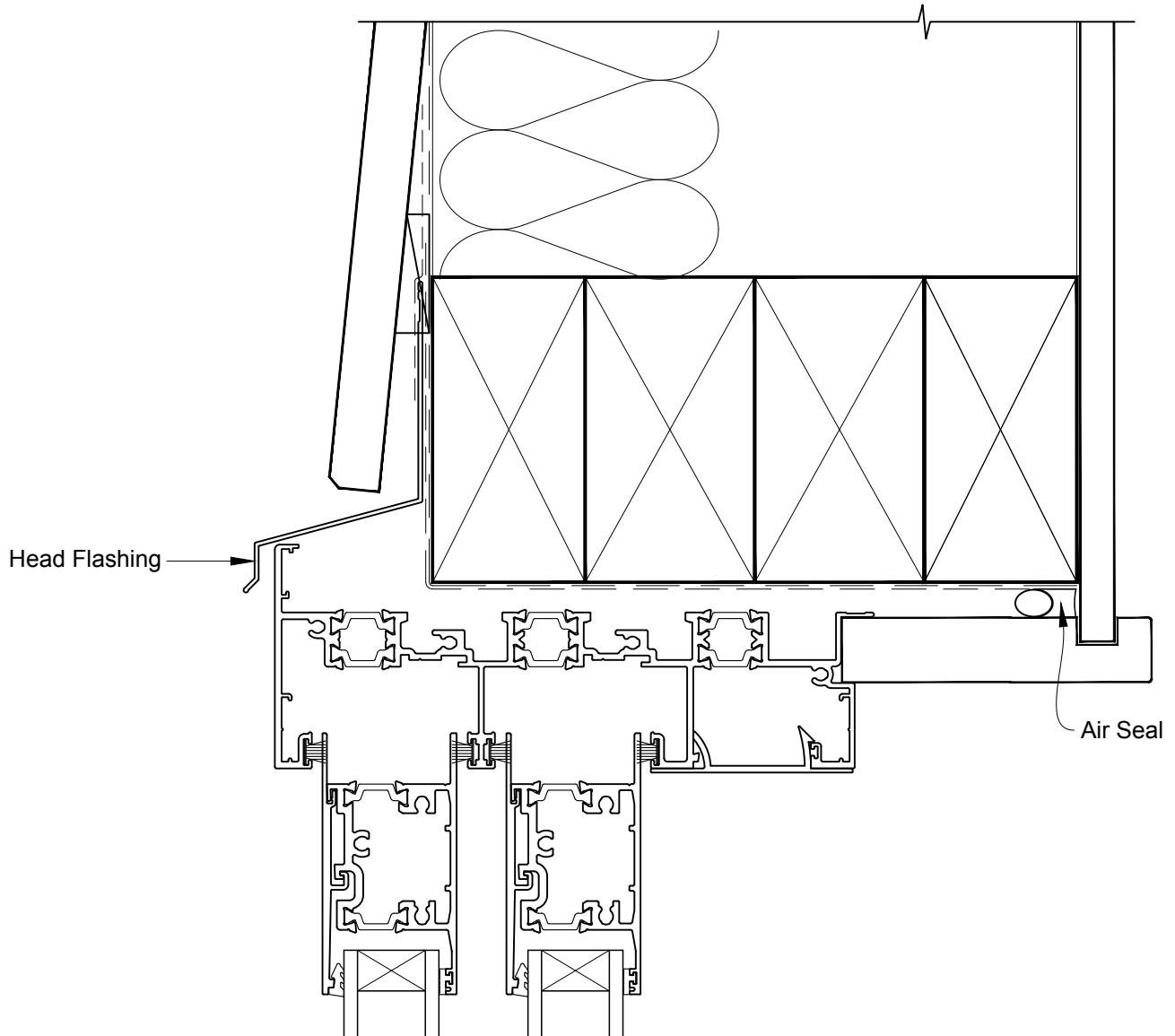


**INSTALLATION DETAIL - METRO THERMAL HEART  
MULTISLIDER WINDOW ON BEVELBACK WEATHERBOARD  
DIRECT FIXED CLADDING**

Date: 01.09.16

Scale: 1:2

CAD Ref.: MTMWBW-DH



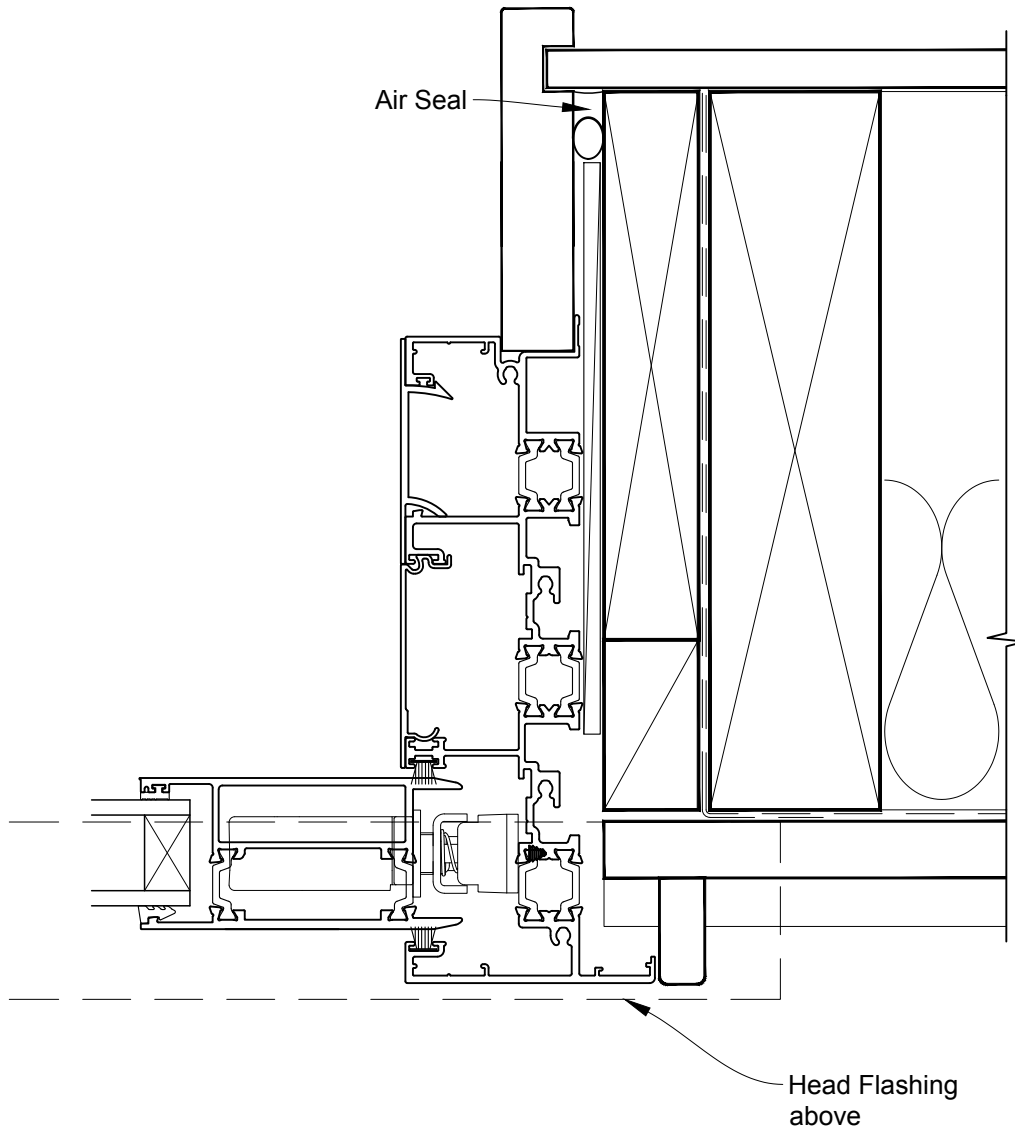


# INSTALLATION DETAIL - METRO THERMAL HEART MULTISLIDER WINDOW ON BEVELBACK WEATHERBOARD DIRECT FIXED CLADDING

Date: 01.09.16

Scale: 1:2

CAD Ref.: MTMWBW-DJ



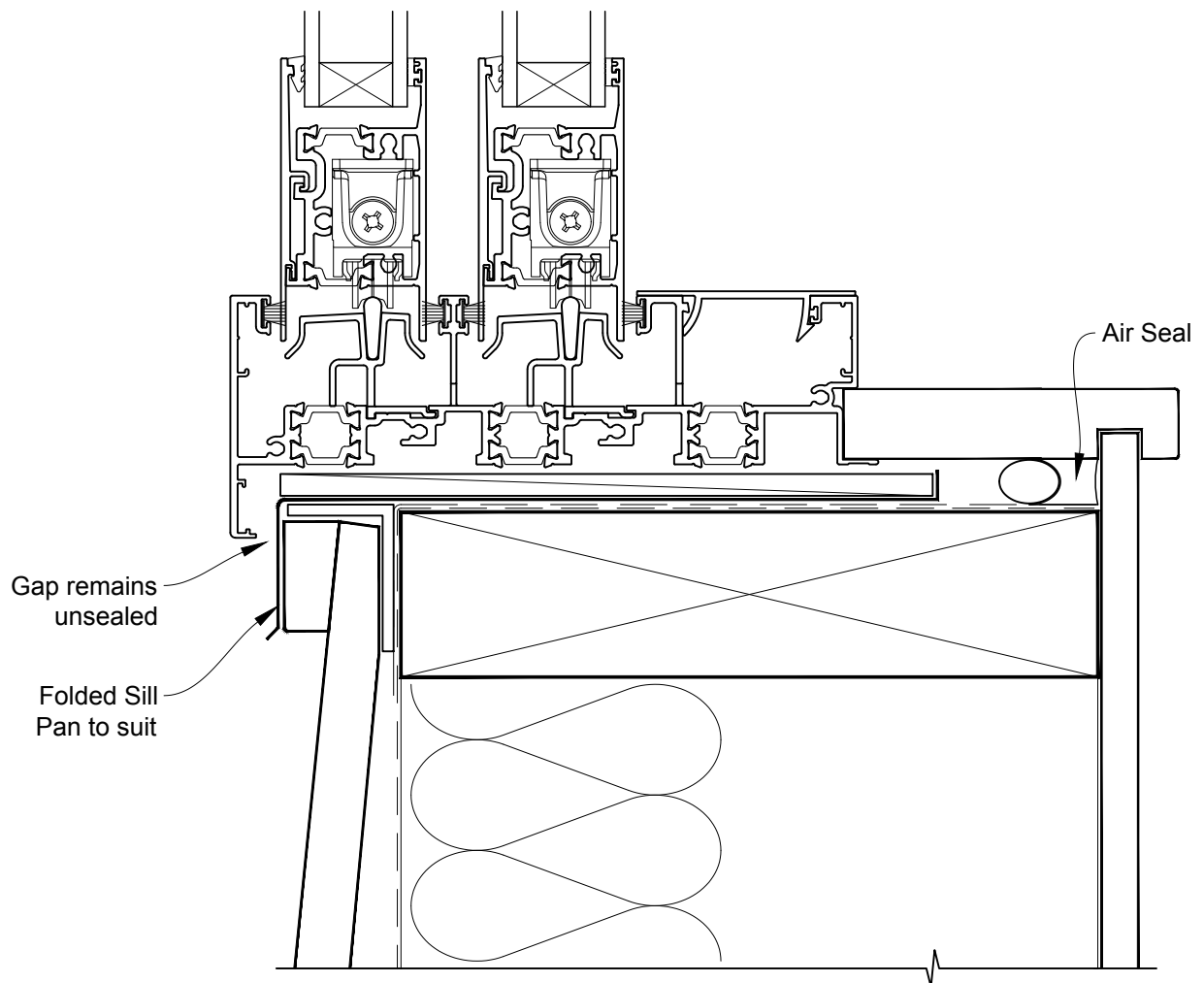


# INSTALLATION DETAIL - METRO THERMAL HEART MULTISLIDER WINDOW ON BEVELBACK WEATHERBOARD DIRECT FIXED CLADDING

Date: 01.09.16

Scale: 1:2

CAD Ref.: MTMWBW-DS





# INSTALLATION DETAIL - METRO THERMAL HEART MULTISLIDER WINDOW ON BEVELBACK WEATHERBOARD DIRECT FIXED CLADDING

Date: 01.09.16

Scale: 1:2

CAD Ref.: MTMWBW-DS2

