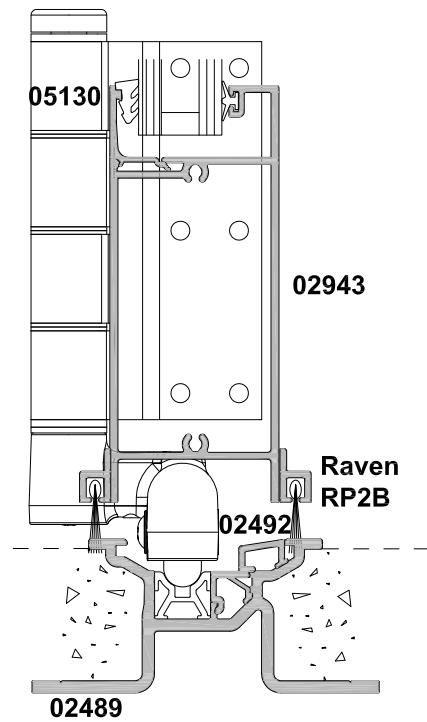
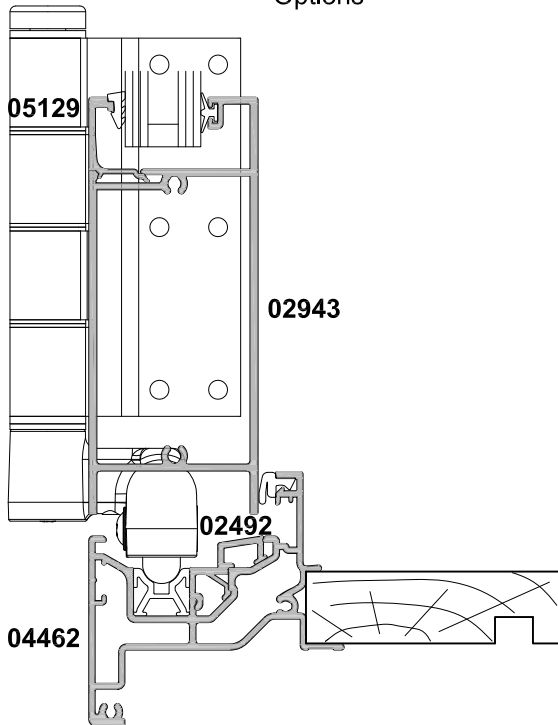


SECTION A-A

Refer to Hinge Door
Section for Vision Rail
Options



**REBATED SILL TRACK OPTION
(FOR SHELTERED LOCATIONS ONLY)**

Note - Pay particular attention
to the drainage of the track.