

# VERTIGRIP ON LADDER

## VERTICAL LIFELINE ON LADDERS



### QUALITY

Complete system in AISI 316 stainless steel - AISI 304 stainless steel  
EN AW 6082 aluminium alloy, guarantees excellent corrosion resistance.



### TOTAL CONTROL

Guided type fall arrester on rope with integrated energy absorber, which allows a controlled ascent and descent in safe conditions.

### PRACTICAL

The system can be assembled off-centre on the ladder.

▼ Installation of a VERTIGRIP vertical lifeline on a ladder for maintenance of an automated warehouse.

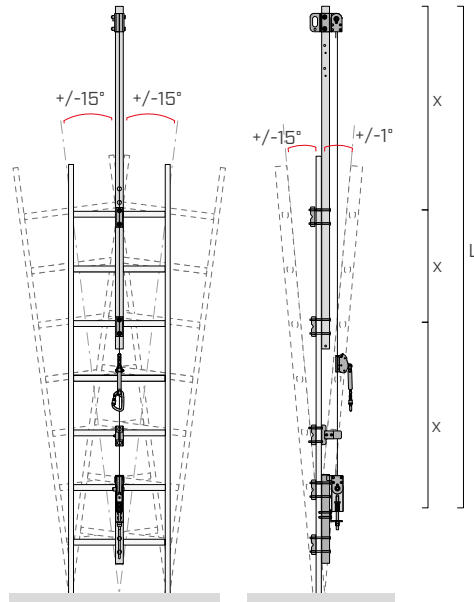


## VERTICAL LIFELINE COMPONENTS

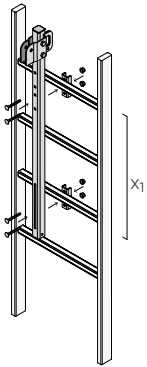
n.	CODE
1	VERTBASE
2	VERTSPEAR
3	VERTHAND
4	VERTSUP
5	CABLE
6	VERTINTPAS1 / VERTINTPAS2 / VERTINT
7	VERTSLIDEPAS / VERTSLIDE
8	VERTOP17 / VERTOP09

## TECHNICAL DATA\*

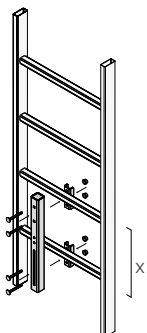
A2  
AISI 304



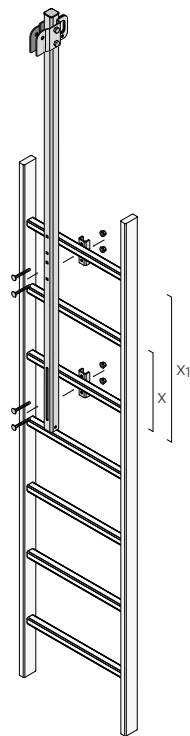
L = max 200 m  
x = max 5 m



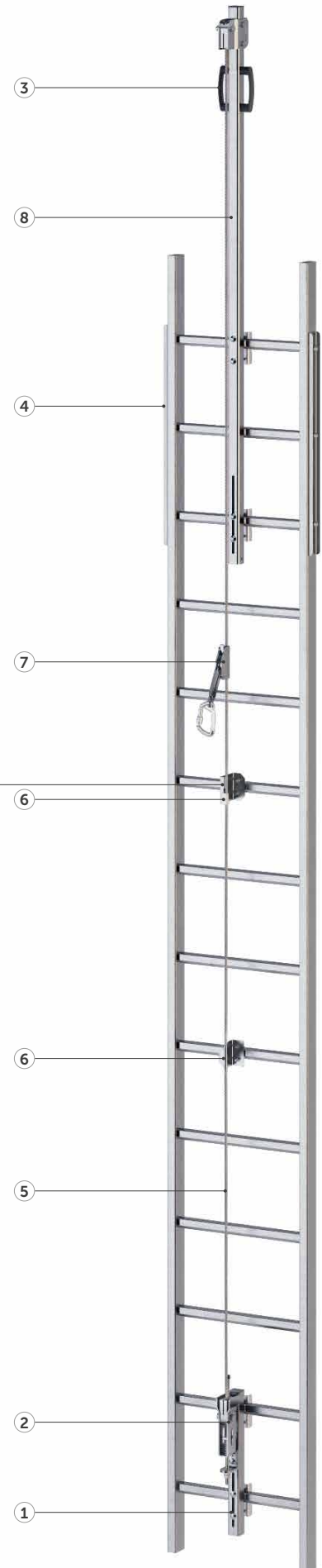
$450 \text{ mm} \leq x_1 \leq 700 \text{ mm}$



$225 \text{ mm} \leq x \leq 350 \text{ mm}$



$450 \text{ mm} \leq x_1 \leq 700 \text{ mm}$   
 $225 \text{ mm} \leq x \leq 350 \text{ mm}$



\* The values indicated are the result of experimental tests carried out under the supervision of third parties in accordance with the standard referred to. For a calculation report with minimum distances according to the relevant standard requirements, the substructure must be checked by a qualified engineer before installation.