



EDGESMITH

STRAITS

Aluminium Picket Fence Panel

PRODUCT CODE:

STRAITS-1.2

MATERIAL:

- Aluminium
- Pickets RHS 65 x 16 x 1.2mm
- Rails 40 x 40 x 2.0mm

FINISH:

Powder Coated

WEIGHT:

17.7 kg

FIXINGS SUPPLIED:

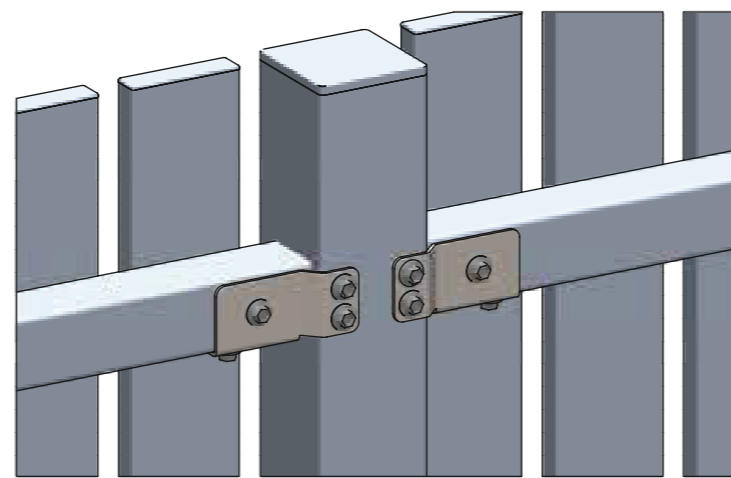
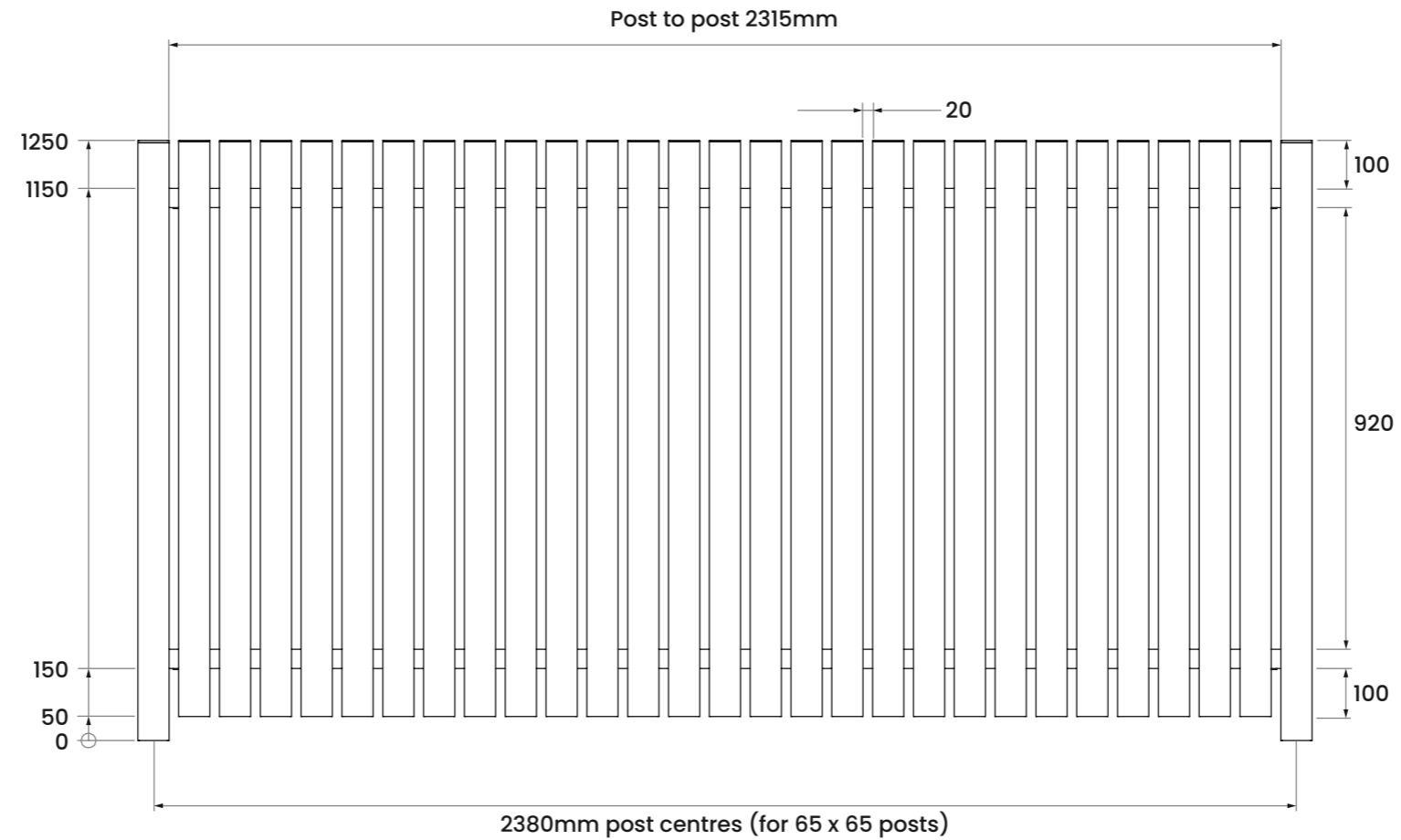
- Brackets and Tek Screws

RECOMMENDED POST :

- Fence Post Inground
2.1mH 65 x 2.5mm SHS Ali
- Fence Post Flanged
1.3mH 65 x 2.0mm SHS Ali



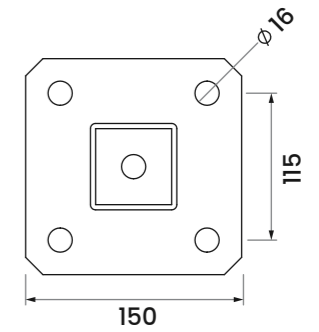
For more information scan the QR code



Rail Bracket Detail

Fixings

- On Concrete:
M12 x 75 Sleeve Anchor
- On Structural Timber:
M12 x 75 Coach Bolt



Flange Post

Post Size: SHS 65mm
Flange Thickness: 10mm

Inground Post

