



# EDGESMITH

## STRAITS

Aluminium Picket Fence Panel

### PRODUCT CODE:

STRAITS-1.0

### MATERIAL:

- Aluminium
- Pickets RHS 65 x 16 x 1.2mm
- Rails 40 x 40 x 2.0mm

### FINISH:

Powder Coated

### WEIGHT:

15.5 kg

### FIXINGS SUPPLIED:

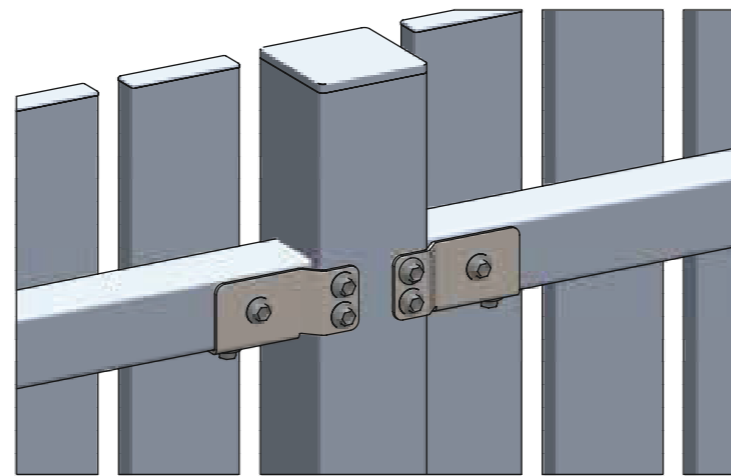
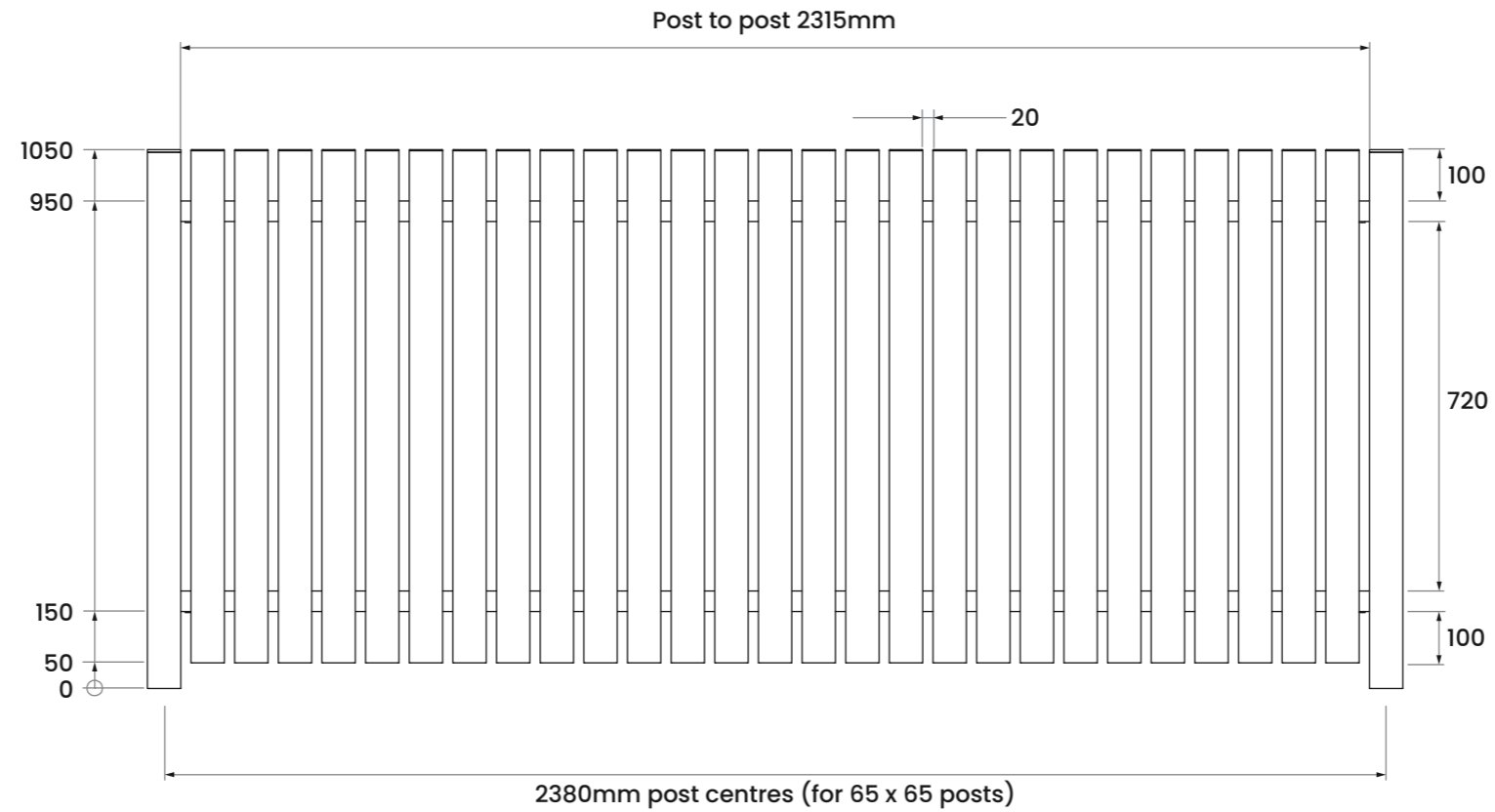
- Brackets and Tek Screws

### RECOMMENDED POST :

- Fence Post Inground  
1.5mH 65 x 2.5mm SHS Ali
- Fence Post Flanged  
1.1mH 65 x 2.0mm SHS Ali



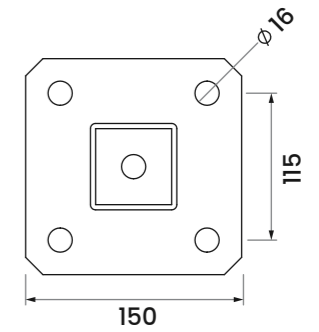
For more information scan the QR code



Rail Bracket Detail

### Fixings

- On Concrete:  
M12 x 75 Sleeve Anchor
- On Structural Timber:  
M12 x 75 Coach Bolt



### Flange Post

Post Size: SHS 65mm  
Flange Thickness: 10mm

### Inground Post

