

NICKS

Vertical Angle Picket Balustrade

PRODUCT CODE:

NICKS-BAL

MATERIAL:

- Aluminium
- Pickets 40 x 3 Equal Angle
- Rails 40 x 40 x 2.0mm

FINISH:

Powder Coated

WEIGHT:

15.8 kg

FIXINGS SUPPLIED:

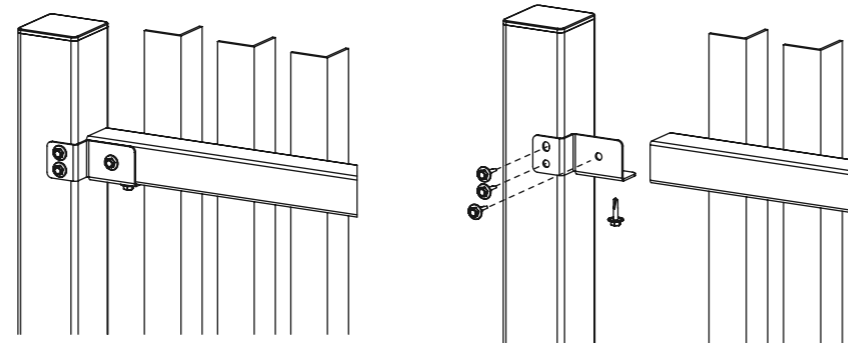
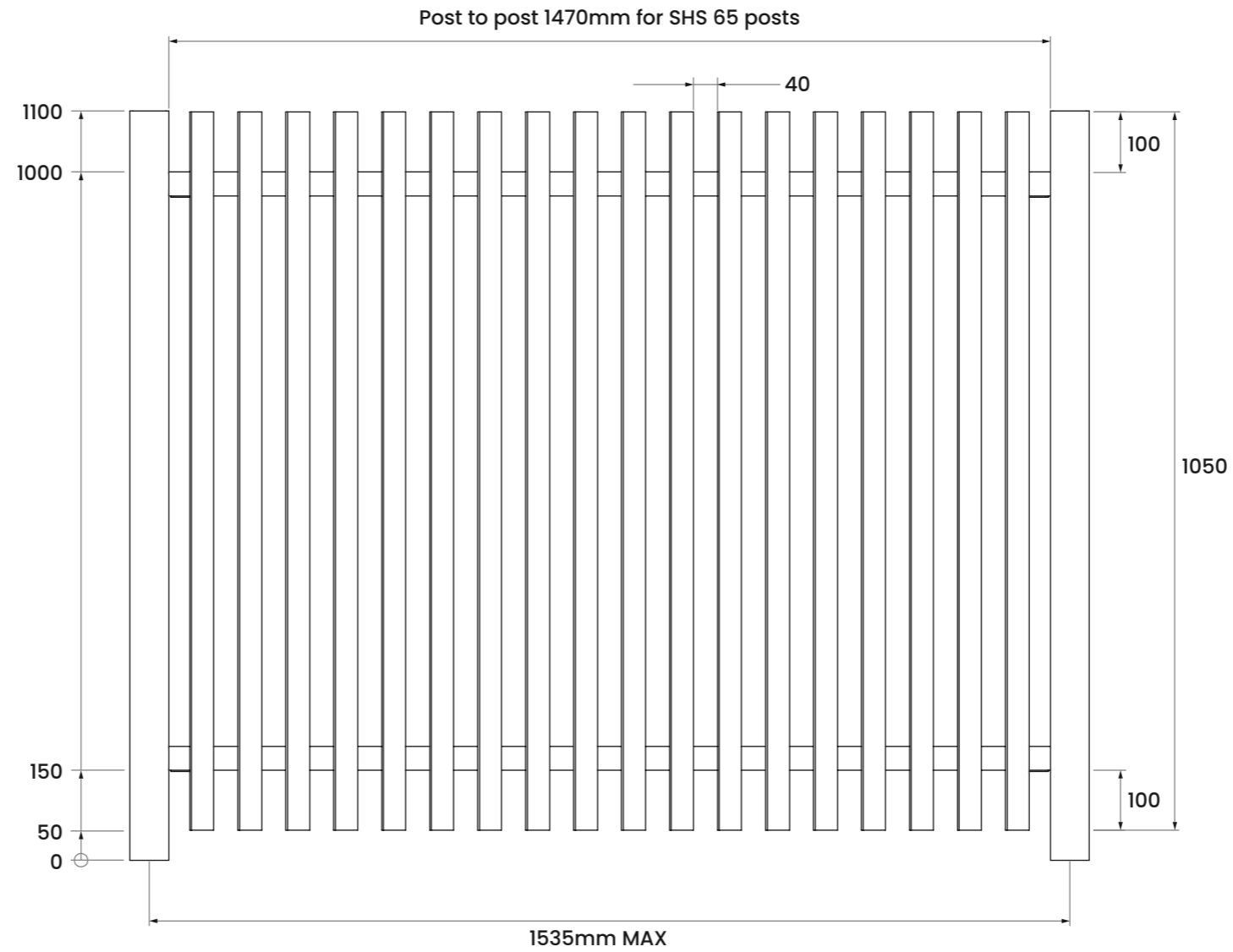
- Brackets
- Tek Screws

RECOMMENDED POST :

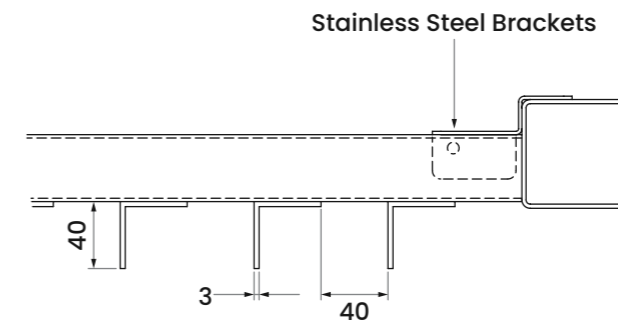
- Balustrade Post Inground 2.1mH 65 x 2.5mm SHS Ali
- Balustrade Post Flanged 1.3mH 65 x 2.5mm SHS Ali



For more information scan the QR code

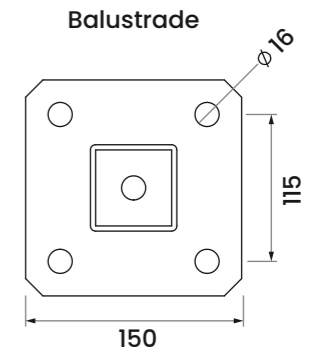


Rail Bracket Detail



Fixings

Check PS1 for Balustrade Fixings



Flange Post

Post Size: SHS 65mm
Flange Thickness: 10mm

Inground Post

