



# EDGESMITH

## 358SV MESH

**SINGLE VERTICAL**  
Security Anti-scale Welded Mesh Panel

**PRODUCT CODE:**

358SV-12x22

**MATERIAL:**

HDG Rigid Wire 4mm Dia

**FINISH:**

Hot Dip Galvanised

**SHEET WEIGHT:**

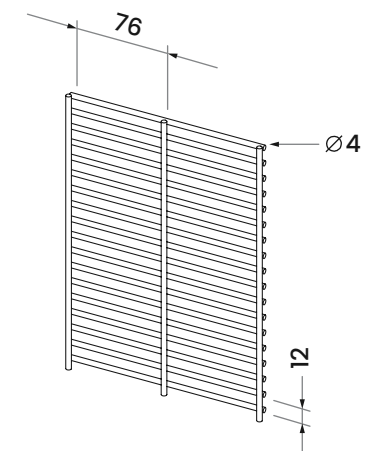
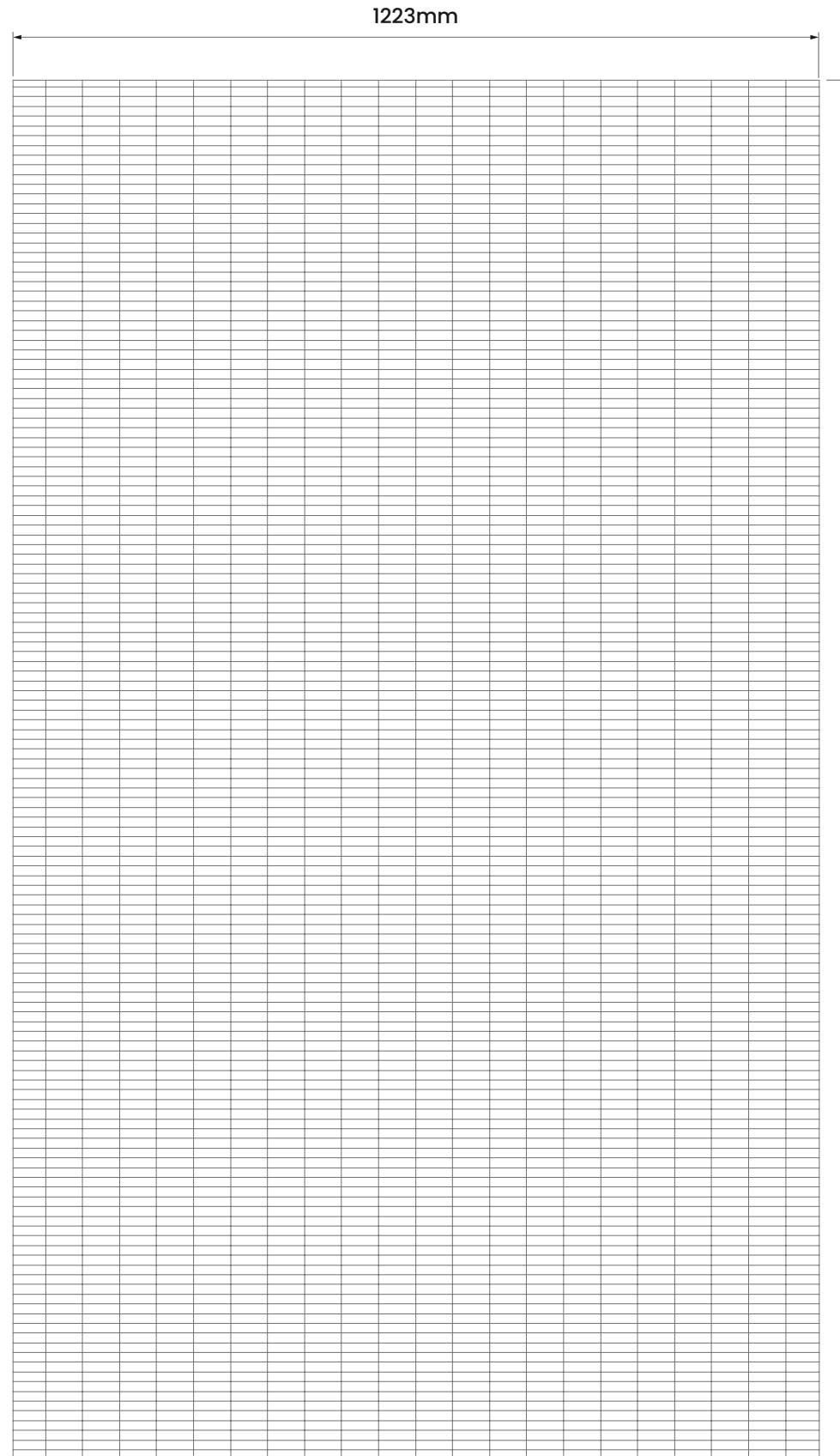
10.5 kg/m<sup>2</sup>

**RECOMMENDED POST:**

Steel 75 SHS x 3.0mm

**FIXINGS REQUIRED:**

- Ordered Separately
- Mesh Clips
  - Security Screws and Nuts
  - Rails



For more information  
scan the QR code

