



# EDGESMITH

## 358DV MESH

High Security Anti-scale Welded Mesh Panel with Bolt on Brackets

### PRODUCT CODE:

358DV-22x36

### MATERIAL:

HDG Rigid Wire 4mm Dia

### FINISH:

Hot Dip Galvanised

### SHEET WEIGHT:

10.5 kg/m<sup>2</sup>

### RECOMMENDED POST:

Steel 75 SHS x 3.0mm

### FIXINGS REQUIRED:

Ordered Separately

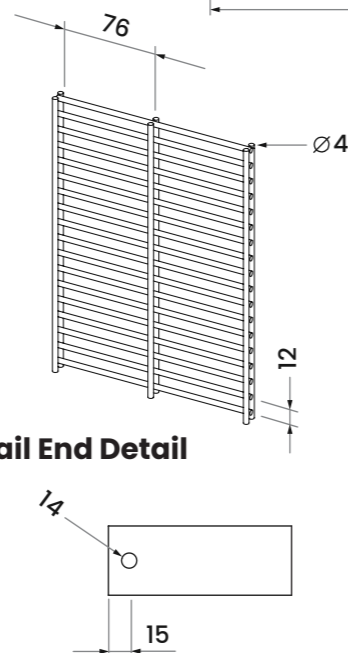
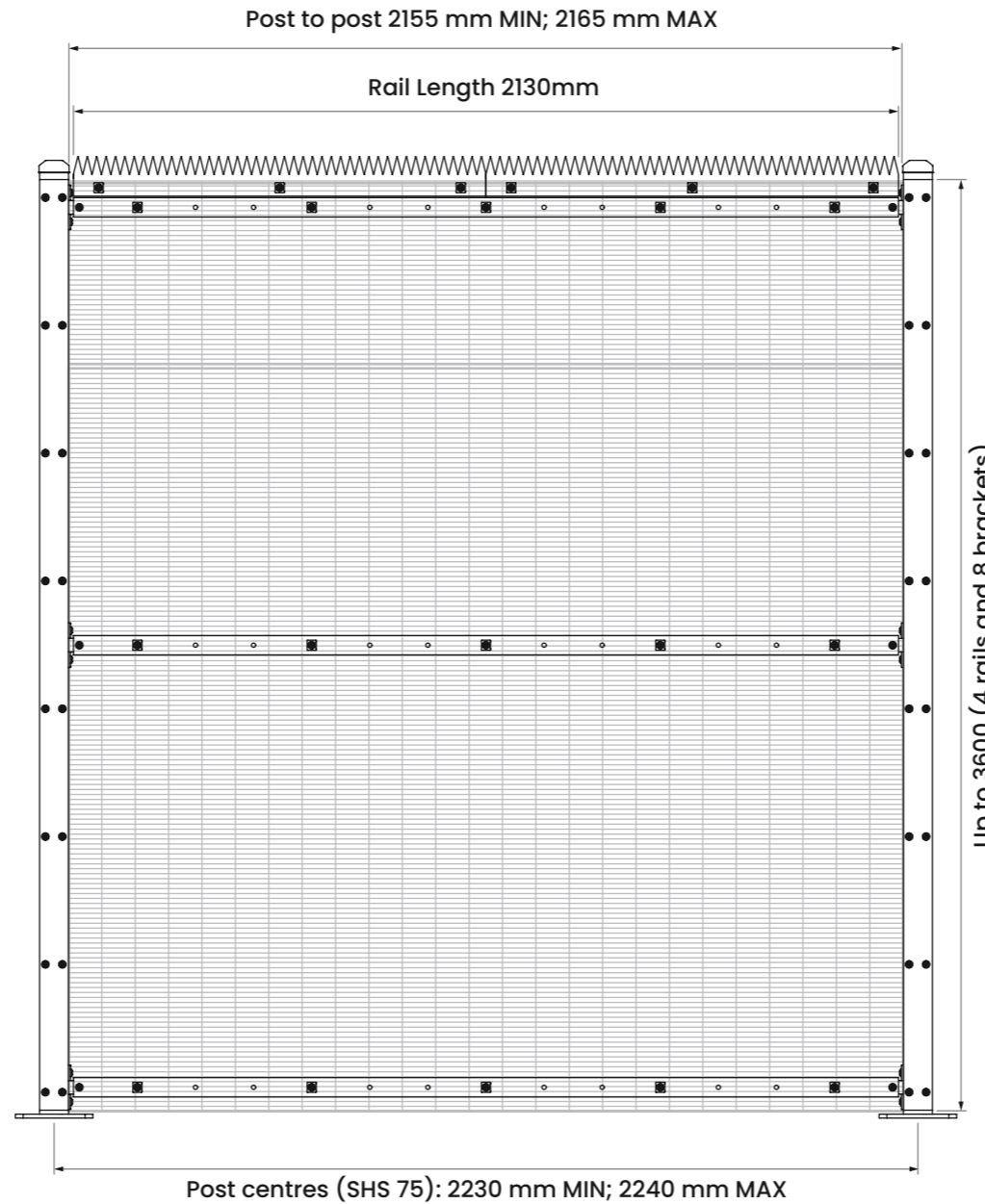
- Mesh Clips
- Security Screws and Nuts
- Bolt on Brackets and Rails
- Closer Plates
- Spike Razor Top (optional)



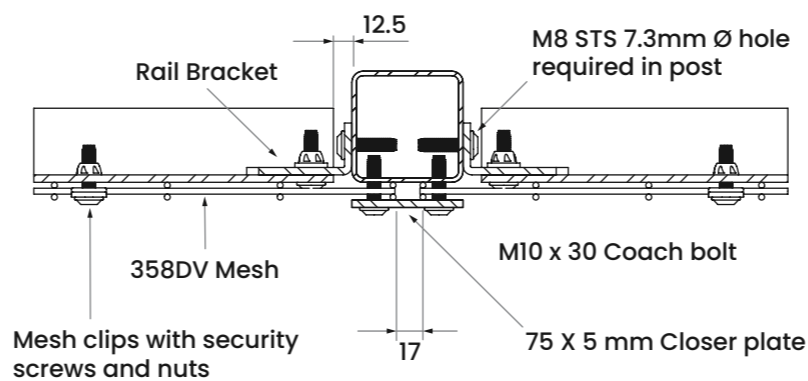
For more information scan the QR code



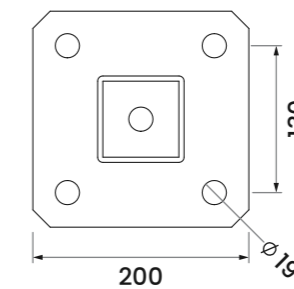
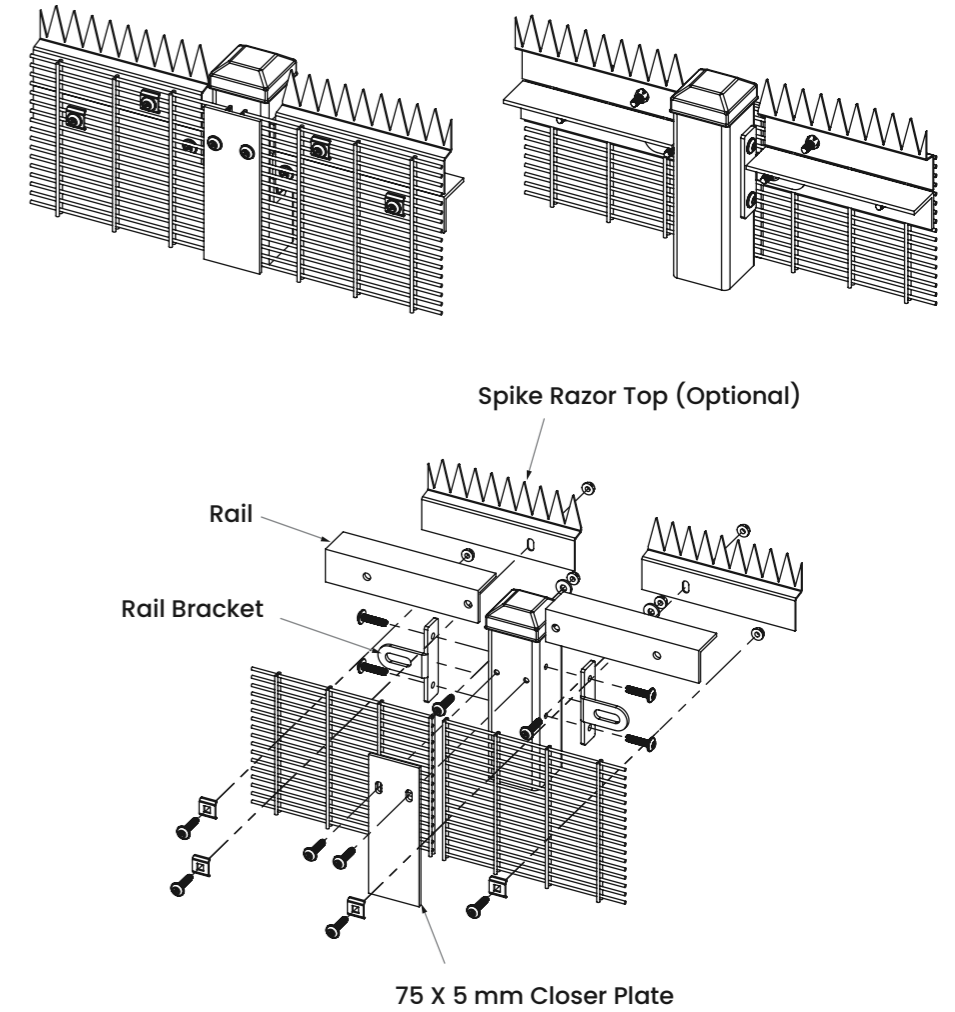
edgsmith.co.nz | 09 427 4980



### Connection Detail

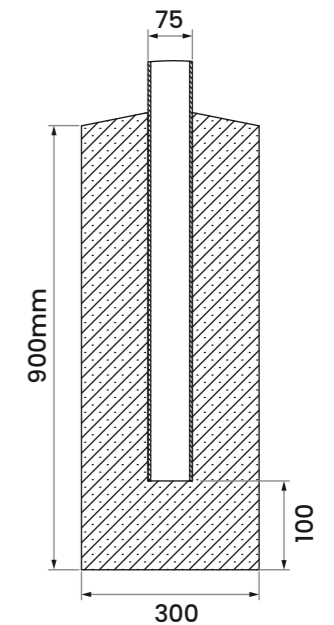


### Rail Bracket Detail



### Flange Post

Post Size: 75mm  
Flange Thickness: 10mm



### Inground Post