

## 358DV MESH

### Anti-scale Rigid Mesh (Double Vertical)

Closely spaced wire lets air flow through and allows visibility but is too narrow for fingers, toes or hand tools. The anti-scale properties combined with being very slow to cut make 358 the ultimate security mesh infill for fencing and infrastructure. The 358DV has double vertical wires making it stronger and more rigid than other brands and is hot dip galvanised after welding to maximise corrosion performance.

Supplied in single sheets or as a kit, including posts, rails and fixings.

### Design Details

#### Security Fencing

At up to 3.6m high, and used in conjunction with other security fixings such as spiked razor top or razor wire, 358 panels make for a secure perimeter.

#### Infrastructure Panelling and Gates

With the right equipment it is easy to cut 358 panels to size and include them as an anti-scale infill in a larger installation.

#### Double Vertical Wires

Double vertical wires vastly increase the time required to cut through the mesh making 358DV Mesh a superior product.



Unique Double Vertical Design

Heights	2400mm, 3600mm
Max Sheet Width	2210mm
Horizontal Aperture	72.2mm Vertical
Vertical Aperture	8.7mm
Posts*	Steel 75mm or 100mm SHS

\* Recommended

#### Price

\$\$\$\$\$

#### High-End Look

★★★★

#### Ease of Installation

★★

#### Lifespan

★★★★★

#### Low Maintenance

★★★★

### Applications



Schools



Commercial



Security



Infrastructure

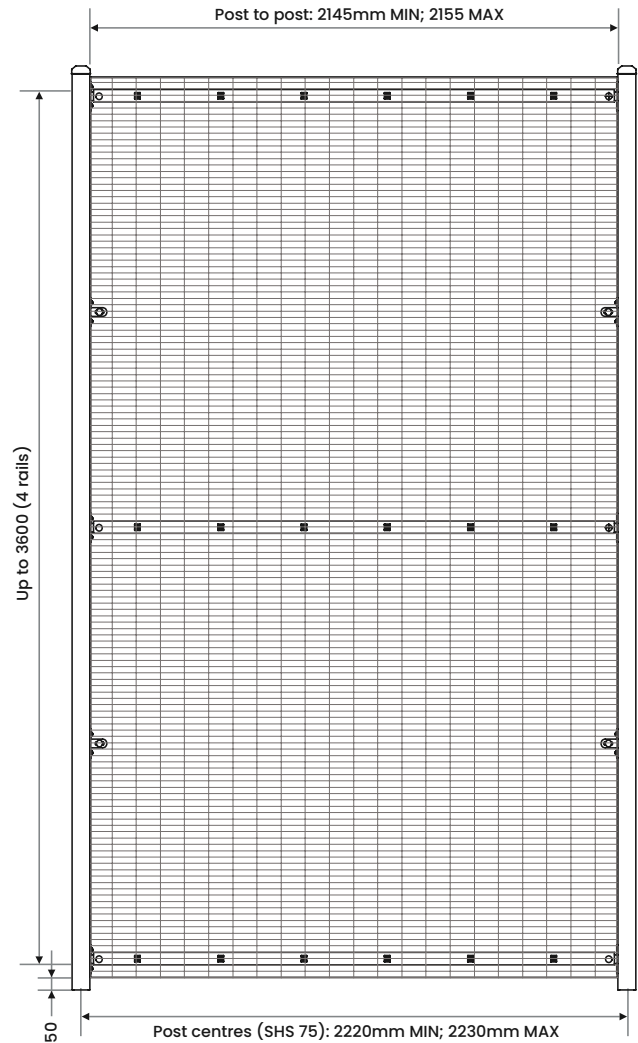


Factories



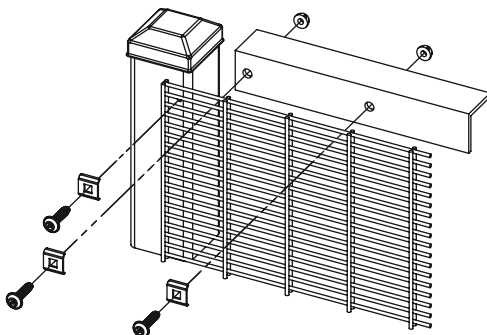


Specifications	
358DV Mesh	Electrically welded at every intersection
Horizontal Aperture	72.2mm
Vertical Aperture	8.7mm
Panels	<ul style="list-style-type: none"> <li>Max Sheet Width: 2210mm, with 72mm aperture on horizontal plane</li> <li>Height: 2.4, 3.6m in stock (other heights by indent)</li> <li>Dimension Tolerance: +/- 2.5mm</li> <li>Squareness: +/- 2% of nominal panel size</li> <li>Flatness: +/- 50mm clear of surface laid flat</li> <li>Solidity: 35%</li> <li>Weight: 11.3 kg/m<sup>2</sup></li> </ul>
Wire	<ul style="list-style-type: none"> <li>4mm diameter with Ultimate Tensile Strength of sheet min. 550MPa and Yield min. 350MPa with welds at 60% of breaking force of wires.</li> </ul>
Wire Coating	<ul style="list-style-type: none"> <li>Hot dip galvanised after manufacture</li> <li>Average Coating: 575g/m<sup>2</sup> - conforms to AS / NZS 4534:2006 class W10Z10A</li> </ul>
Double Vertical Design	<ul style="list-style-type: none"> <li>Delivers significantly more strength</li> <li>Outstanding rigidity</li> <li>Low wind resistance - ideal to use with electronic detection systems &amp; alarms</li> </ul>
Warranty	<ul style="list-style-type: none"> <li>358DV Mesh 5 years manufacturers warranty (some conditions apply)</li> </ul>
Finishes	<ul style="list-style-type: none"> <li>Hot dip galvanised in stock</li> <li>May be powdercoated</li> </ul>



### Installation and Safety

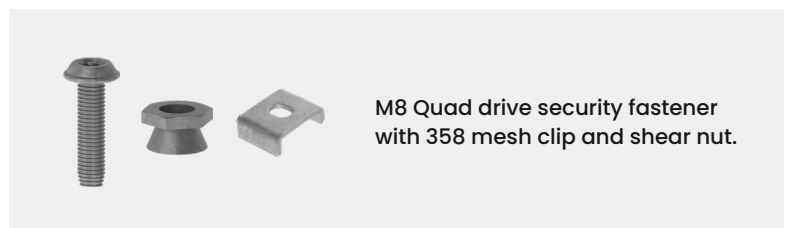
358DV anti-climb rigid mesh fencing is most effective when installed by a trained and experienced installer. Your specialist installer will be able to recommend the best configuration for your location and security needs.



### Panel Sizes

Height		
Up to 2400	3 rails	2220mm post centres (for 75 x 75 posts)
Up to 3600	4 rails	2220mm post centres (for 75 x 75 posts)

Also available in high security version which includes spike razor tops.



M8 Quad drive security fastener with 358 mesh clip and shear nut.