



OASIS

Horizontal Slat Panel

PRODUCT CODE:

OA-1.0

MATERIAL:

- Aluminium
- Slats: 65 x 16 x 1.2mm
- C - Channel
- F - Profile

FINISH:

Powder Coated

WEIGHT:

Variable

FIXINGS SUPPLIED:

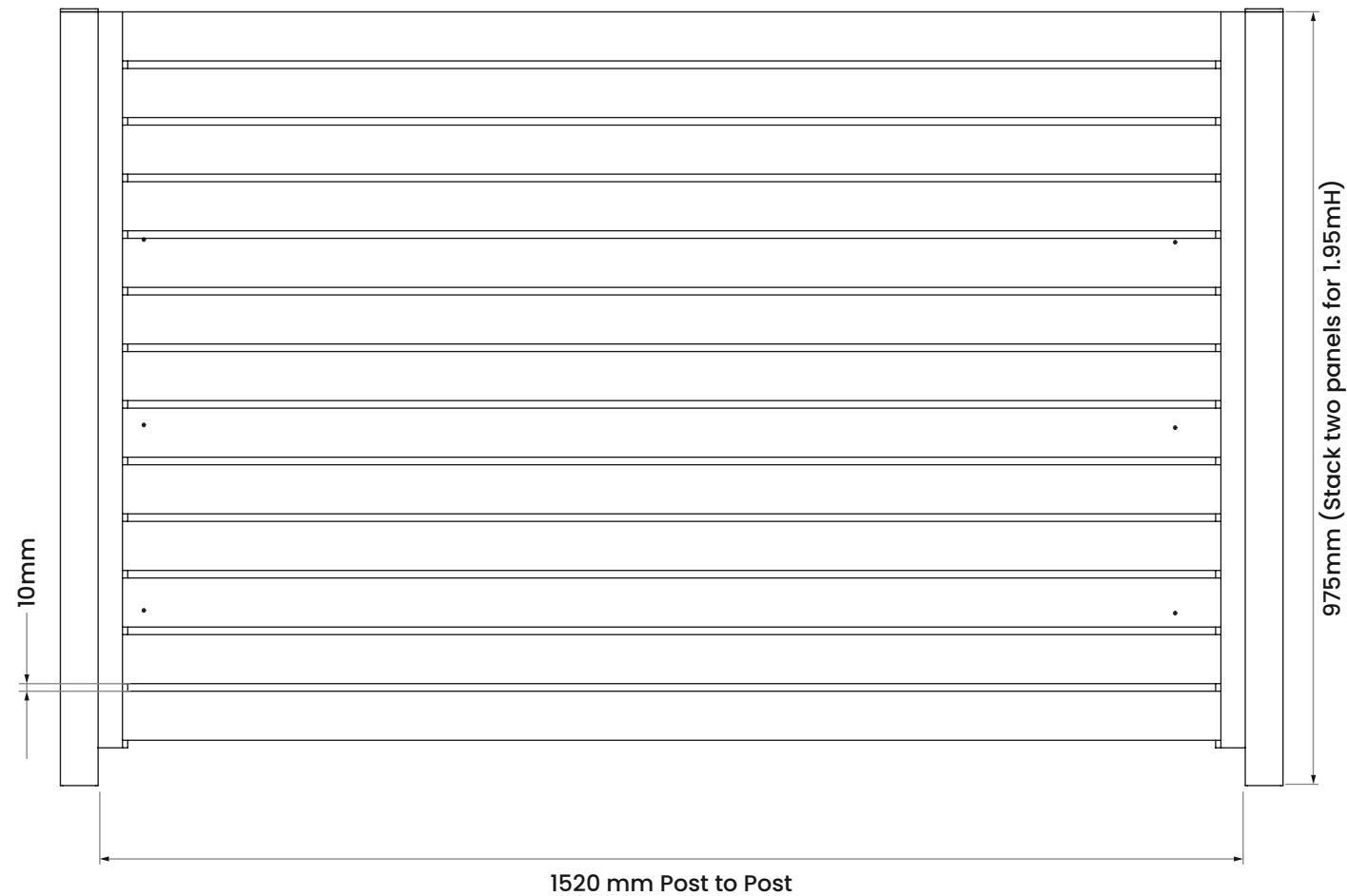
- Tek Screws
- F - Profile

RECOMMENDED POST :

SHS 50 or Masonry Pillar

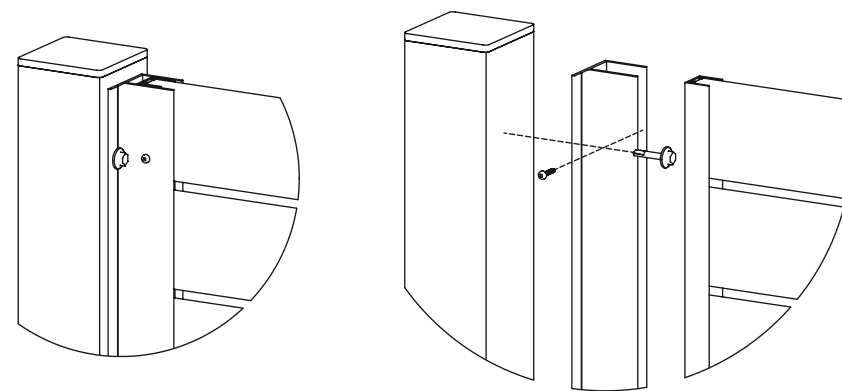


For more information scan the QR code

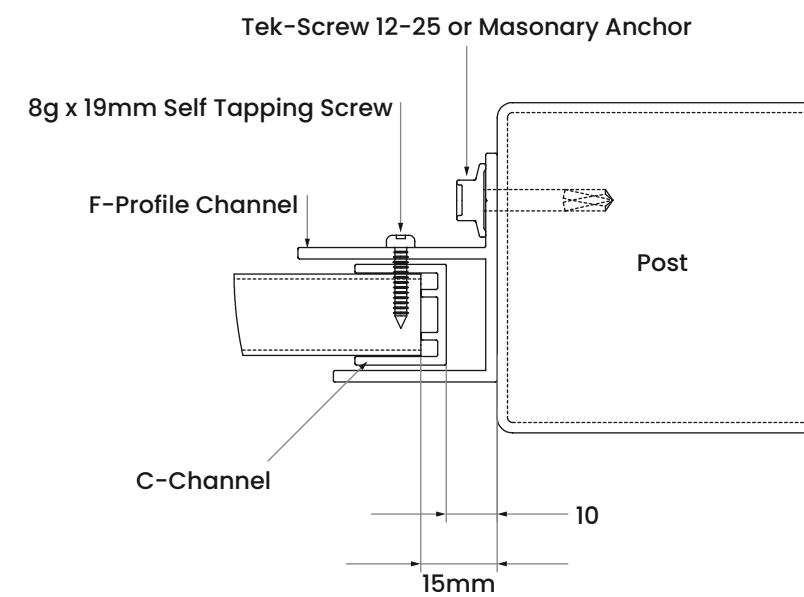


Slats Guide

No. of Slats	Height (mm)
10	740
11	815
12	890
13	965
14	1040
15	1115
16	1190
17	1265
18	1340
19	1415
20	1490



Rail Bracket Detail



Inground Post

