



EDGESMITH

MERCURY

Aluminium Raking Panel - Spear Top

PRODUCT CODE:

MER-2.1-3RS

MATERIAL:

- Aluminium
- Pickets SHS 25 x 1.2mm
- Rails 40 x 40 Mercury Channel

FINISH:

Black Powder Coated

WEIGHT:

23 kg

FIXINGS SUPPLIED:

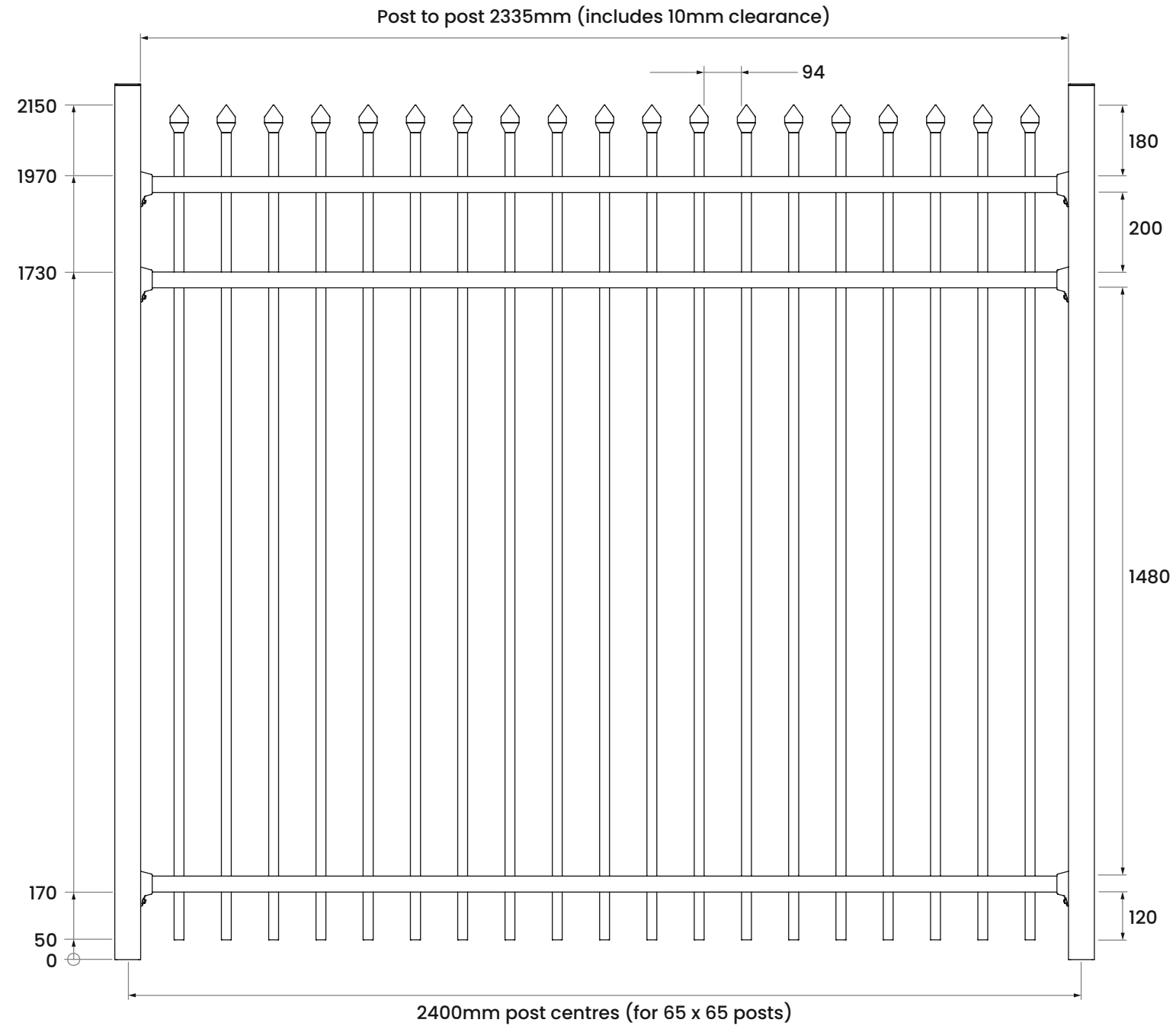
- Brackets and Tek Screws

RECOMMENDED POST :

- Fence Post Inground
2.9mH 65 x 2.5mm SHS Steel
- Fence Post Flanged
2.2mH 65 x 3mm SHS Steel

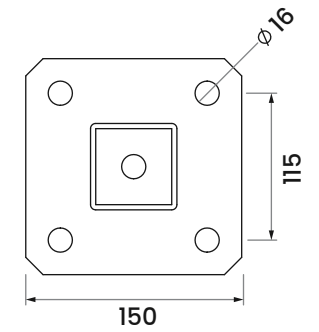


For more information scan the QR code



Fixings

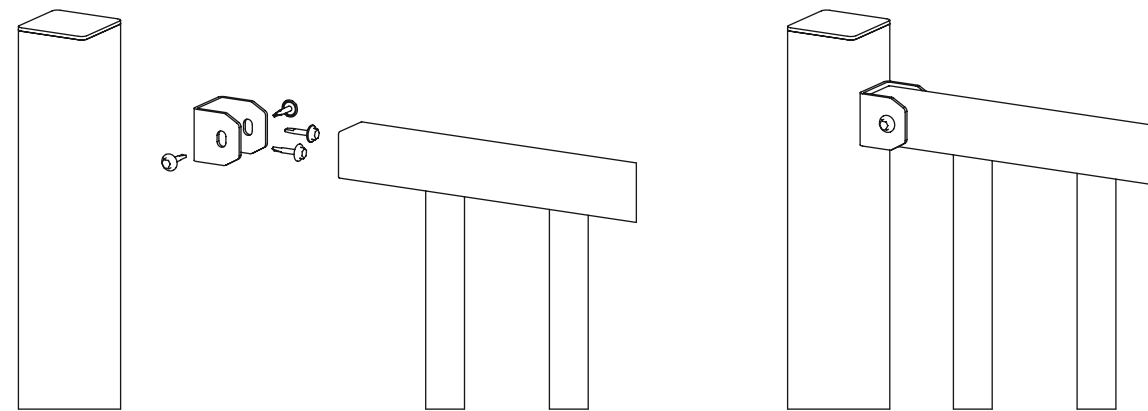
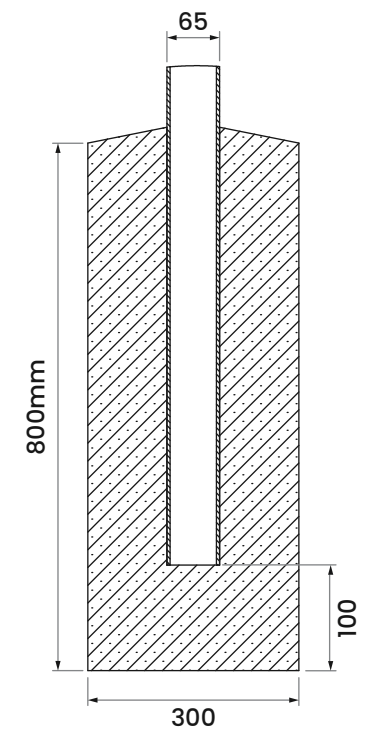
- On Concrete:
M12 x 75 Sleeve Anchor
- On Structural Timber:
M12 x 75 Coach Bolt



Flange Post

Post Size: SHS 65mm
Flange Thickness: 10mm

Inground Post



Rail Bracket Detail

