



EDGESMITH

MERCURY

Aluminium Raking Panel - Flat Top

PRODUCT CODE:

MER-1.8-3RF

MATERIAL:

- Aluminium
- Pickets SHS 25 x 1.2mm
- Rails 40 x 40 Mercury Channel

FINISH:

Black Powder Coated

WEIGHT:

17.3 kg

FIXINGS SUPPLIED:

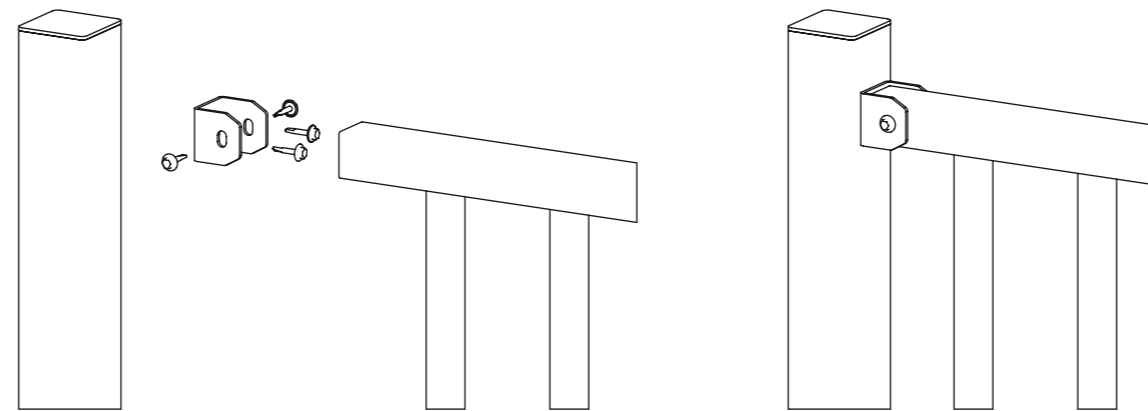
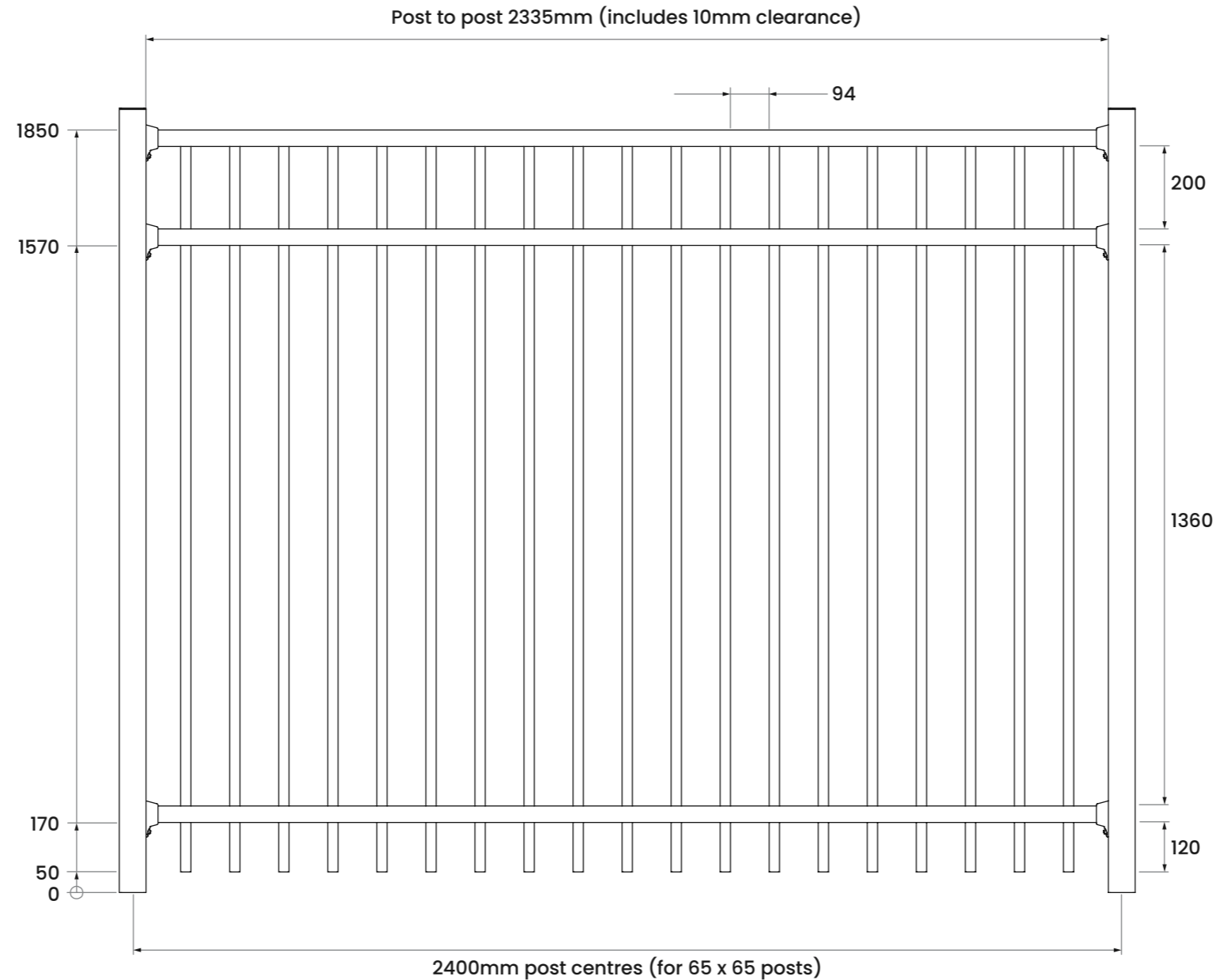
- Brackets and Tek Screws

RECOMMENDED POST :

- Fence Post Inground
2.5mH 65 x 2.5mm SHS Ali
- Fence Post Flanged
1.9mH 65 x 3mm SHS Ali



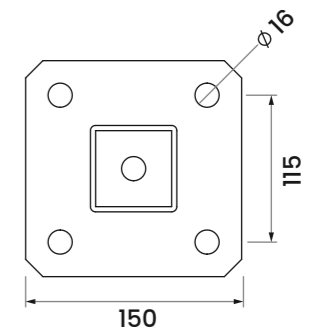
For more information scan the QR code



Rail Bracket Detail

Fixings

- On Concrete:
M12 x 75 Sleeve Anchor



Flange Post

- Post Size: SHS 65mm
- Flange Thickness: 10mm

Inground Post

