



# EDGESMITH

## MERCURY

Aluminium Raking Panel - Flat Top

### PRODUCT CODE:

MER-1.5

### MATERIAL:

- Aluminium
- Pickets SHS 25 x 1.2mm
- Rails 40 x 40 Mercury Channel

### FINISH:

Black Powder Coated

### WEIGHT:

15.6 kg

### FIXINGS SUPPLIED:

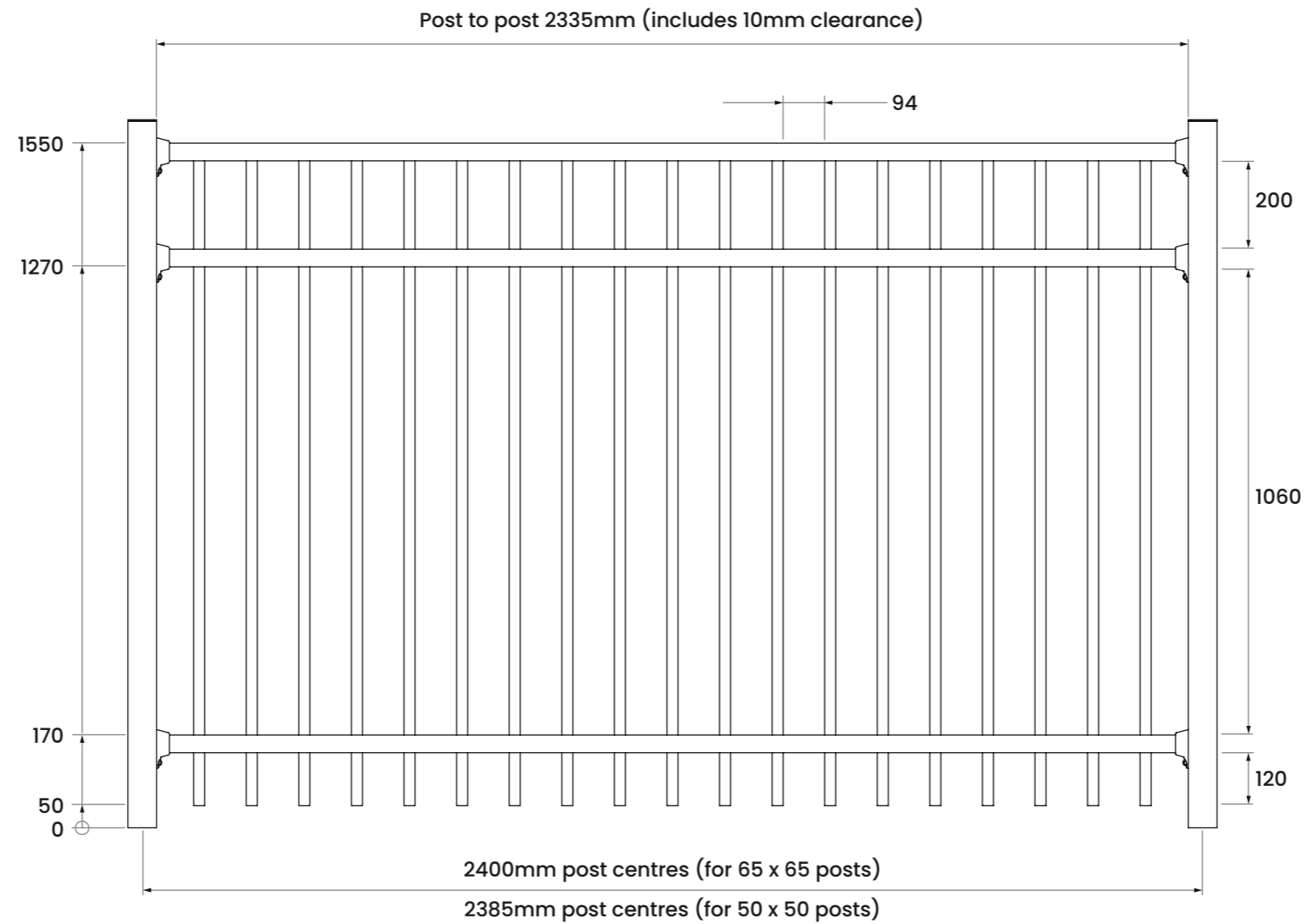
- Brackets and Tek Screws

### RECOMMENDED POST :

- Fence Post Inground  
2.1mH 65 x 2.5mm Ali
- Fence Post Flanged  
1.6mH 65 x 3mm Ali

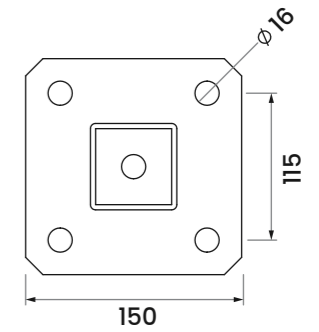


For more information scan the QR code



### Fixings

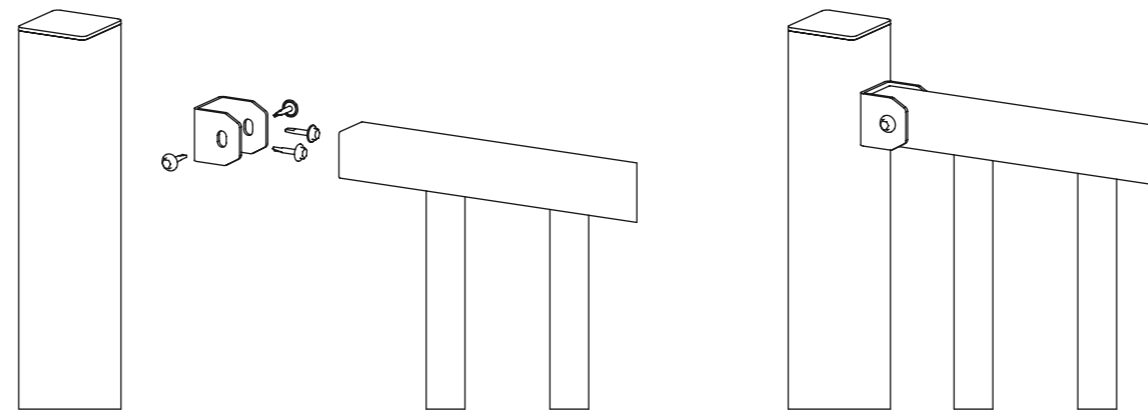
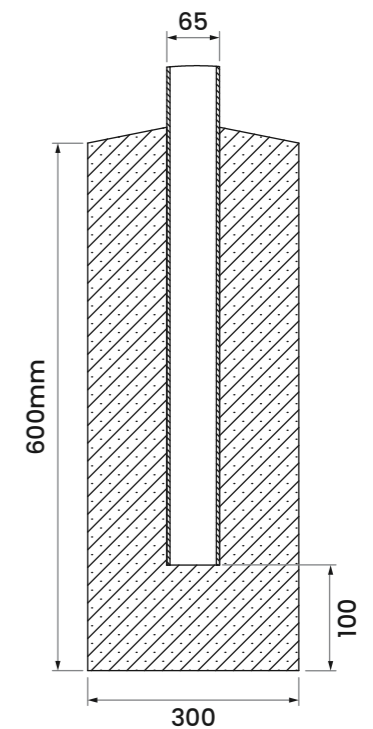
- On Concrete:  
M12 x 75 Sleeve Anchor
- On Structural Timber:  
M12 x 75 Coach Bolt



### Flange Post

Post Size: SHS 65mm  
Flange Thickness: 10mm

### Inground Post



Rail Bracket Detail

