



EDGESMITH

MERCURY

Aluminium Raking Panel
Commercial Balustrade

PRODUCT CODE:

MER-1.0-COMBAL

MATERIAL:

- Aluminium
- Pickets SHS 25 x 1.2mm
- Top Rail 50 x 40 Mercury Channel
- Bottom Rail 40 x 40 Mercury Channel

FINISH:

Black Powder Coated

WEIGHT:

13.5 kg

FIXINGS SUPPLIED:

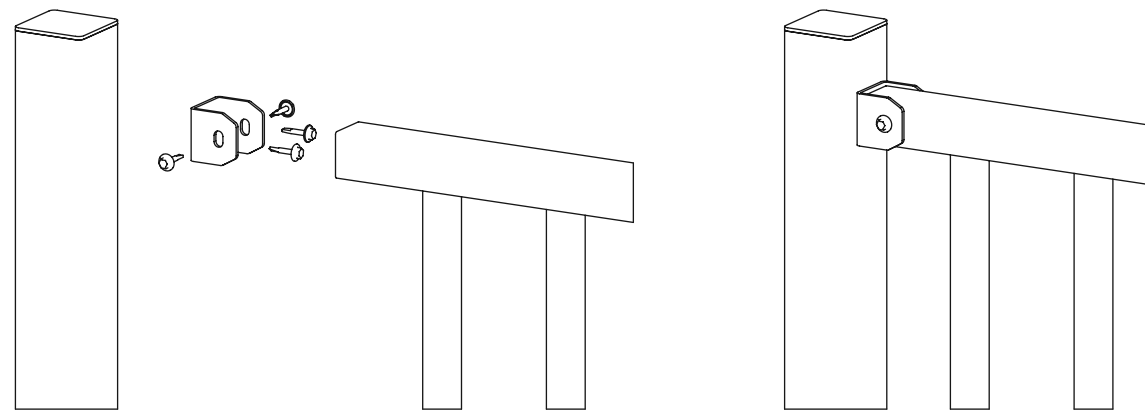
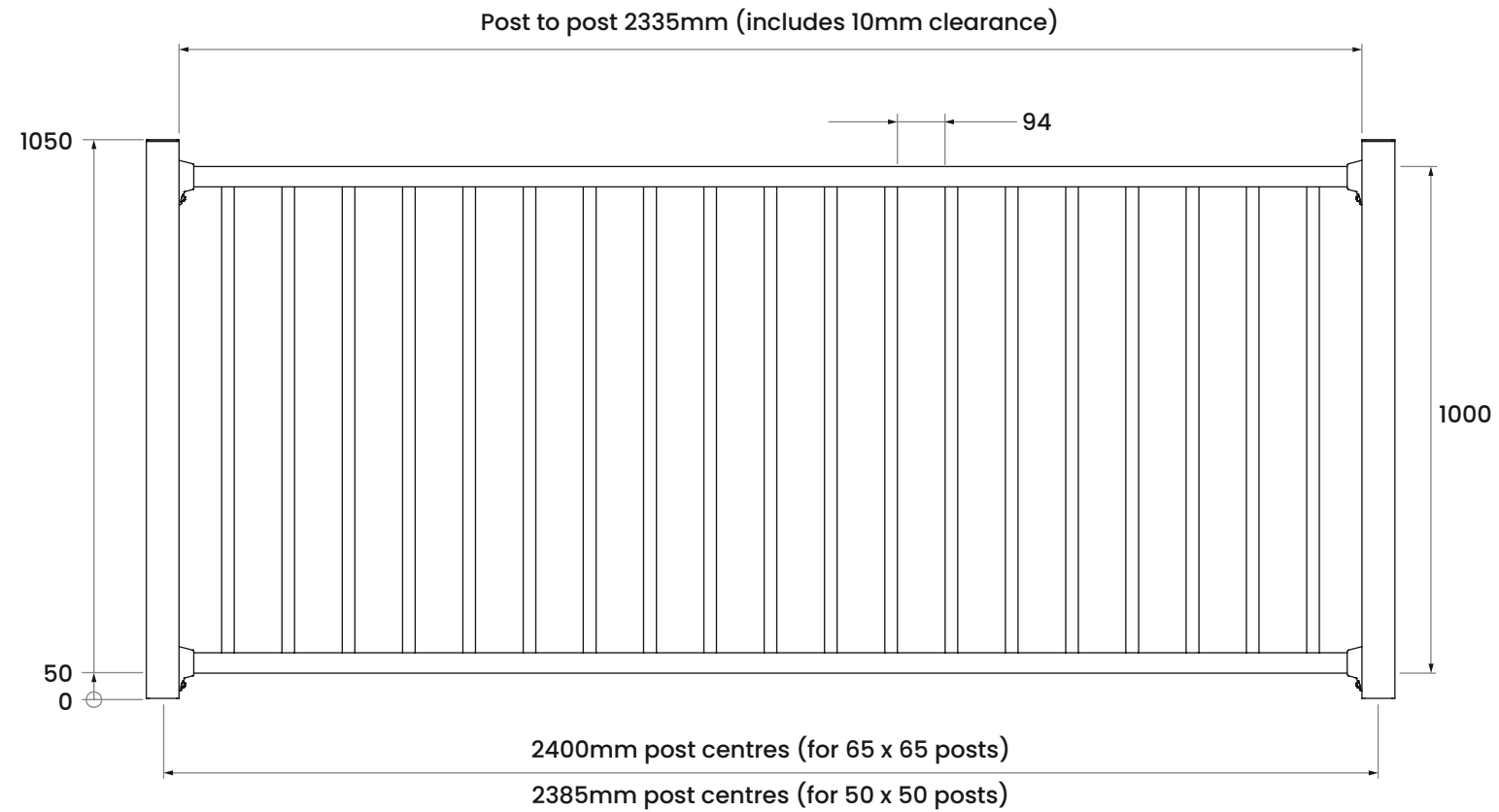
- Brackets and Tek Screws

RECOMMENDED POST :

- Fence Post Inground
1.8mH 50 x 2.5mm SHS Steel
- Fence Post Flanged
1.1mH 50 x 2.5mm SHS Steel
- Balustrade Post Inground
1.8mH 65 x 2.5mm SHS Steel
- Balustrade Post Flanged
1.1mH 65 x 2.5mm SHS Steel



For more information
scan the QR code

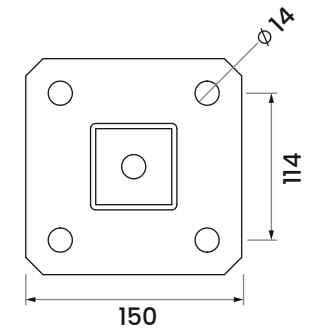


Rail Bracket Detail

Fixings

Check PS1 for Balustrade Fixings

- On Concrete:
M12 x 75 Sleeve Anchor
- On Structural Timber:
M12 x 75 Coach Bolt



Flange Post

Post Size: SHS 65mm
Flange Thickness: 10mm

Inground Post

