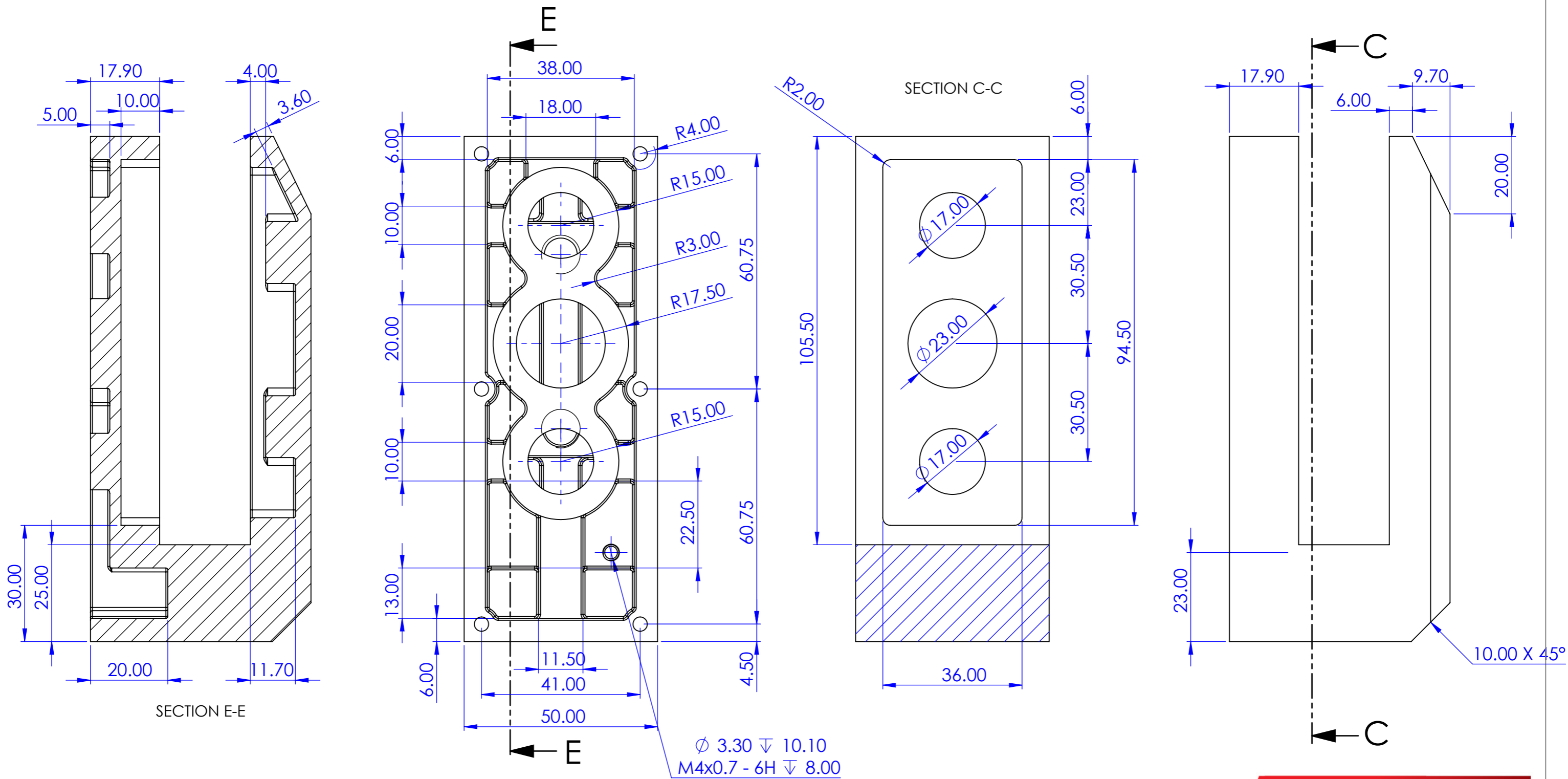


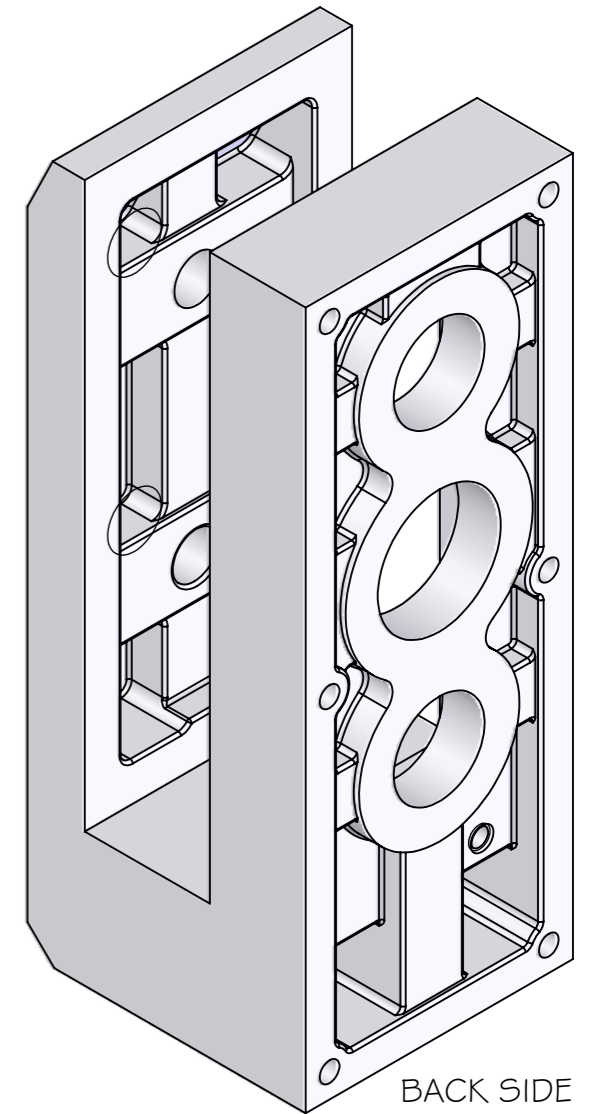
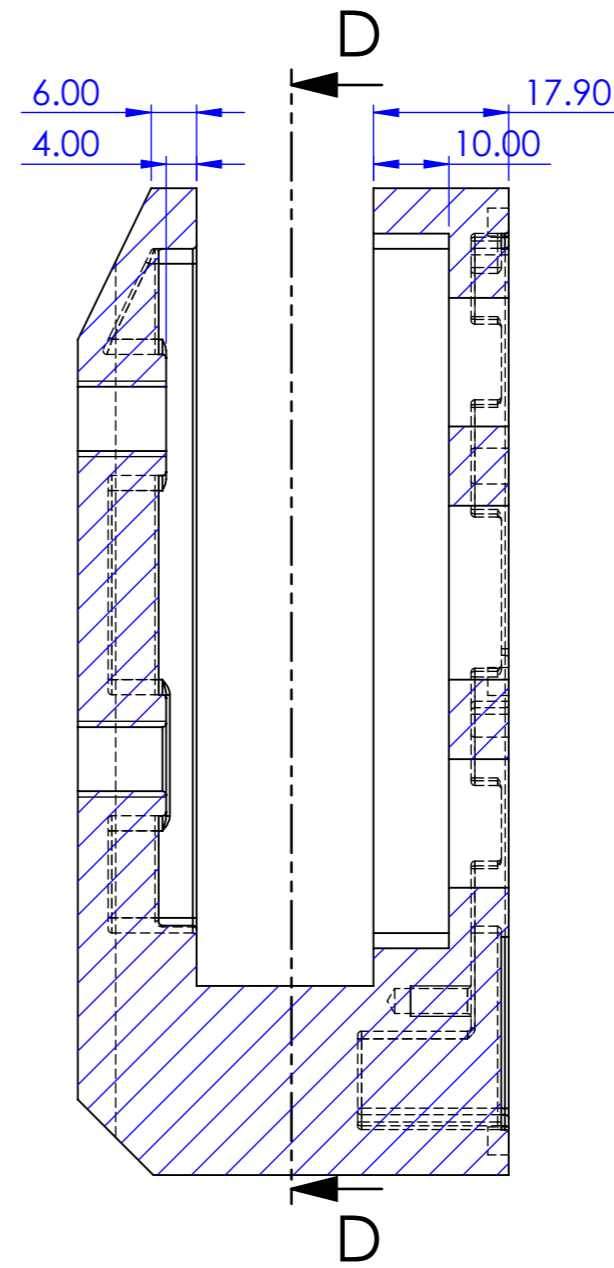
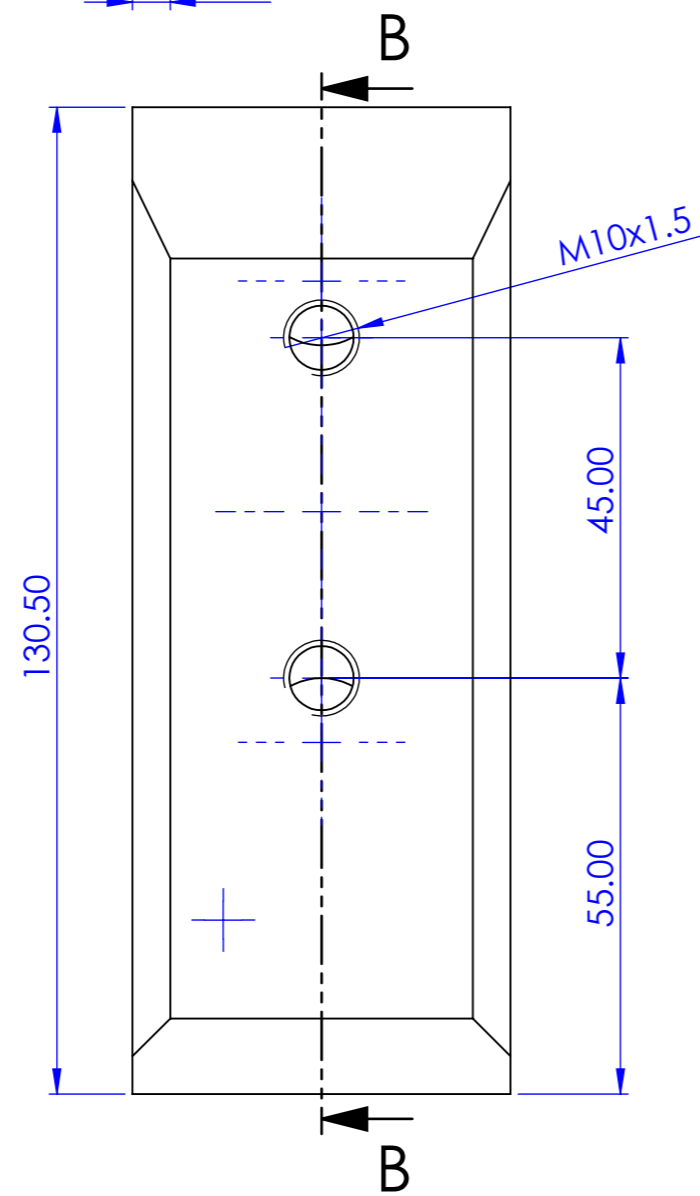
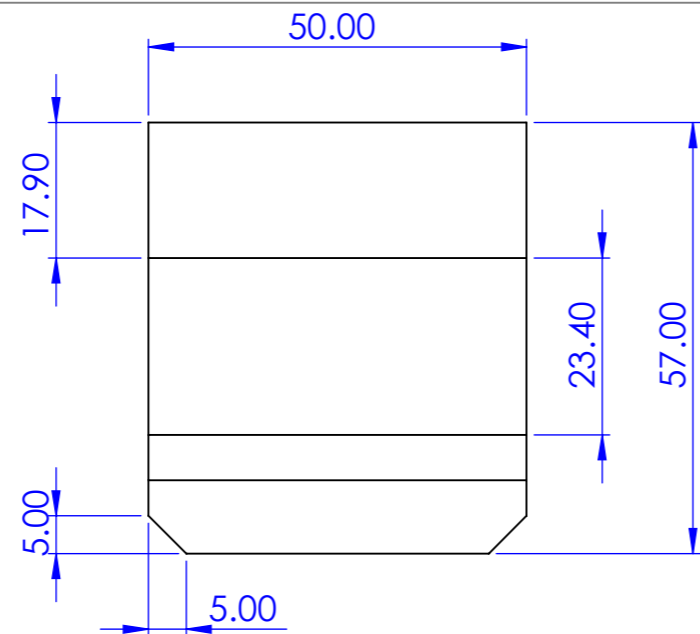
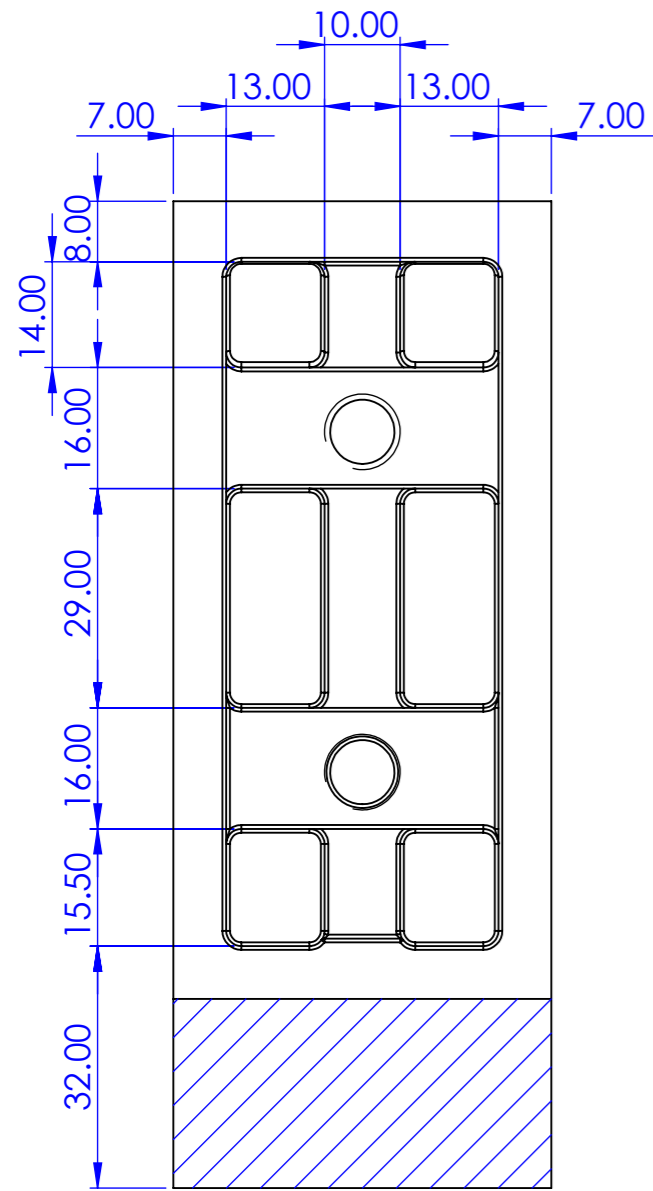
Bill of Materials (BOM)				
ITEM	PART NO.	TITLE	Material	Qty.
1	MAD-VC-P	MADRID VERTICAL CLAMP	2205 SS	1
2		4mm ROUND SPADE		1
3		M4 X 6 DOME HEAD CAP		1
4		MADRID SPACER 3	TEFLON	1
5		MADRID SPACER 1	ALUMINIUM	1
6		MADRID SPACER 2	TEFLON	1
7		M10X12 GRUB SCREW	EDST	2
8		MADRID SMALL ECCENTRIC	ABS	2
9		MADRID LARGE ECCENTRIC	ABS	1



TOLERANCES 0 ±0.5mm 0.0 ±0.1mm 0.00 ±0.02mm ANGLE ±0.5° UNLESS OTHERWISE STATED	THE INFORMATION CONTAINED IN THIS DRAWING IS PROPRIETARY TO STORETECH AND SHALL NOT BE REPRODUCED OR DISCLOSED IN WHOLE OR IN PART OR USED FOR ANY DESIGN OR MANUFACTURE EXCEPT WHEN SUCH USER POSSESSES DIRECT WRITTEN AUTHORIZATION FROM STORETECH LTD.	DRAWN BY: MvB	DATE: 16/01/2021	NOTES: Note1 Note2 Note3 Note4 Note5 Note6	MATERIAL: as per constituents	PHASE:	DESCRIPTION: MADRID ASSY			
		CHECKED BY:	3RD ANGLE PROJECTION		FINISH: POLISHED	PROCESS:				
		DIMENSIONS ARE MILLIMETERS UNLESS OTHERWISE STATED. DO NOT SCALE DRAWING.				TYPE:	SCALE: 1:1	SHEET: A3	SHEET: 1 OF 3	PART NUMBER:



TOLERANCES O ±0.5mm O.O ±0.1mm O.OO ±0.02mm ANGLE ±0.5° UNLESS OTHERWISE STATED	THE INFORMATION CONTAINED IN THIS DRAWING IS PROPRIETARY TO STORETECH AND SHALL NOT BE REPRODUCED OR DISCLOSED IN WHOLE OR IN PART OR USED FOR ANY DESIGN OR MANUFACTURE EXCEPT WHEN SUCH USER POSSESSES DIRECT WRITTEN AUTHORIZATION FROM STORETECH LTD.	DRAWN BY: MvB	DATE: 16/01/2021	NOTES: Note1 Note2 Note3 Note4 Note5 Note6	MATERIAL: as per constituents	PHASE:	DESCRIPTION: MADRID ASSY			
		CHECKED BY:	3RD ANGLE PROJECTION		FINISH: POLISHED	PROCESS:				
DIMENSIONS ARE MILLIMETERS UNLESS OTHERWISE STATED. DO NOT SCALE DRAWING.					TYPE:					



BACK SIDE

FRONT SIDE VIEWS



SECTION D-D

SECTION B-B

TOLERANCES O ±0.5mm 0.0 ±0.1mm 0.00 ±0.02mm ANGLE ±0.5° UNLESS OTHERWISE STATED		THE INFORMATION CONTAINED IN THIS DRAWING IS PROPRIETARY TO STORETECH AND SHALL NOT BE REPRODUCED OR DISCLOSED IN WHOLE OR IN PART OR USED FOR ANY DESIGN OR MANUFACTURE EXCEPT WHEN SUCH USER POSSESSES DIRECT WRITTEN AUTHORIZATION FROM STORETECH LTD.		DRAWN BY: MvB	DATE: 16/01/2021	NOTES: Note1 Note2 Note3 Note4 Note5 Note6	MATERIAL: as per constituents	PHASE:	DESCRIPTION: MADRID ASSY				
		CHECKED BY:	3RD ANGLE PROJECTION	DIMENSIONS ARE MILLIMETERS UNLESS OTHERWISE STATED. DO NOT SCALE DRAWING.			FINISH: POLISHED	PROCESS:	SCALE: 1:1	SHEET: A3	SHEET: 3 OF 3	PART NUMBER:	REVISION: