



KAWEKA

Wind and Fixing Specifications

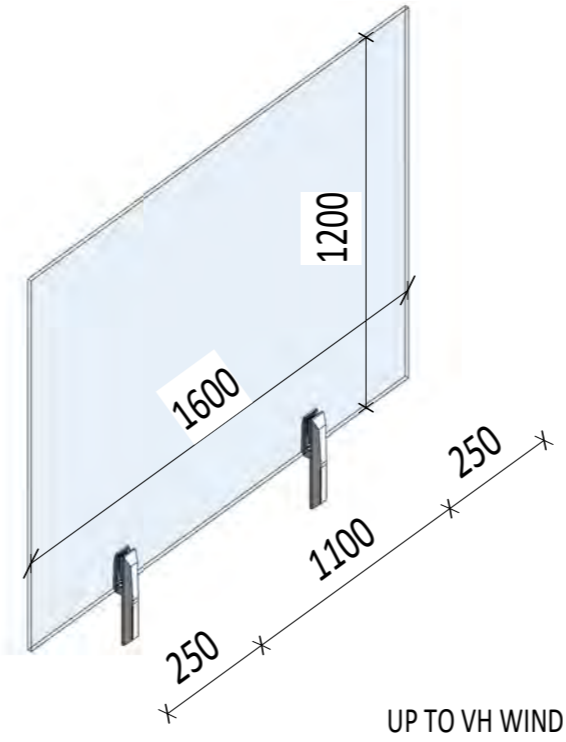
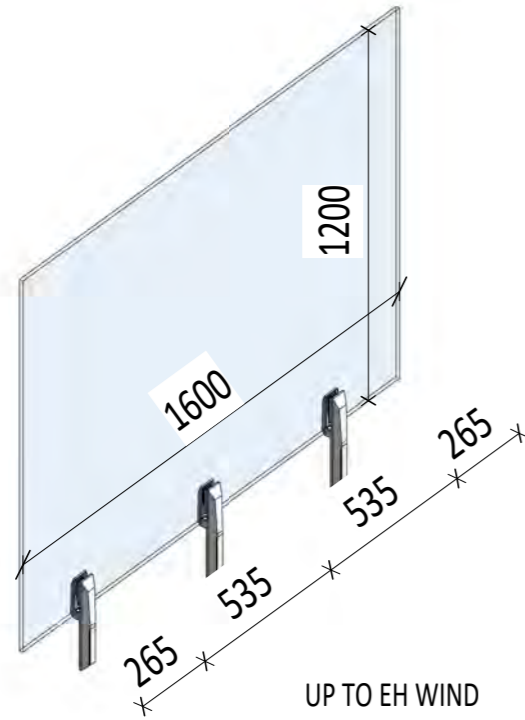
BelAire[®]
DESIGNER FENCING

...make it your own!

Max Panel Sizes for VH Wind Zones Balustrade										
	Spigot Qty	1000mm high Glass	1200mm High Glass	1350mm High Glass	Occupancy	Fixing Wet Timber	Fixing Dry Timber	Concrete	Edge distance Timber	Edge Distance Concrete
Kaweka Balustrade	2	1600W	1400W	Engineers Aproval	A,B,E,C3	M12 x 130 Coach Screw	M12 x 130 Coach Screw	M12 x 110 Concrete Screw	50	65
Kaweka Pool Fence	2	N/A	1600W	1250W (1600W 3 Spigots)		M12 x 130 Coach Screw	M12 x 130 Coach Screw	M12 x 110 Concrete Screw	50	65

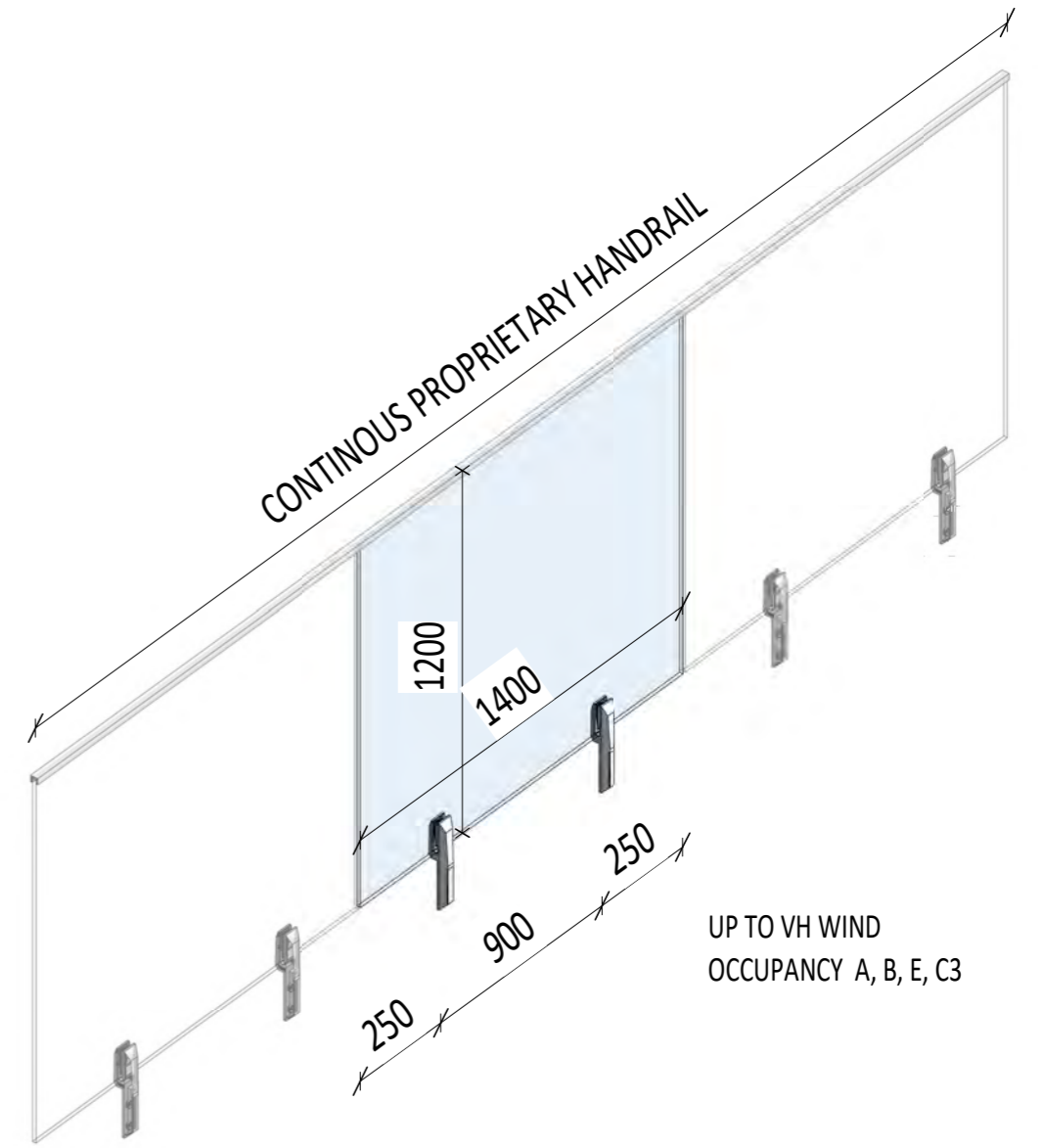
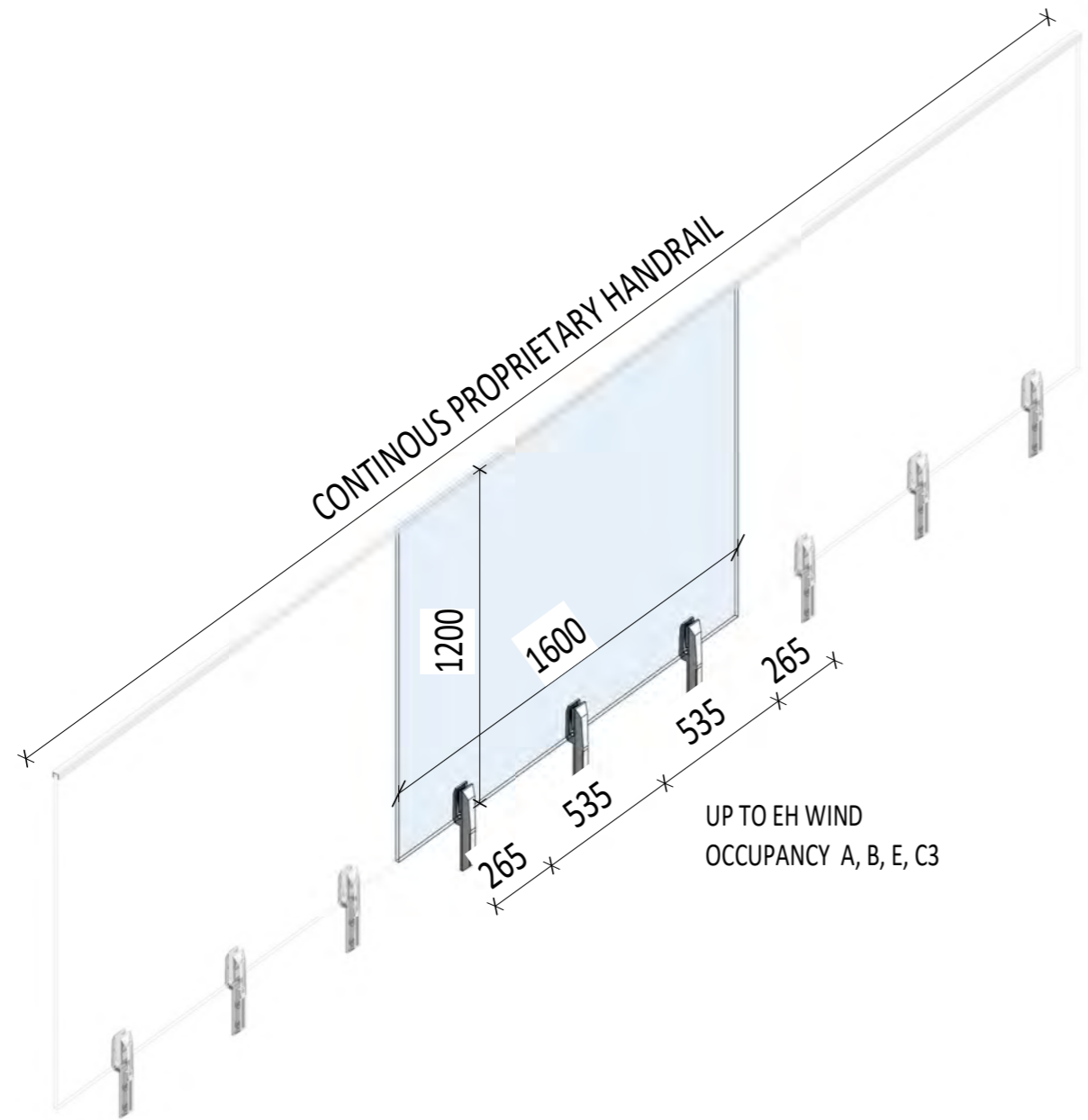
Max Panel Sizes for EH Wind Zones Balustrade										
	Spigot Qty	1000mm high Glass	1200mm High Glass	1350mm High Glass	Occupancy	Fixing Wet Timber	Fixing Dry Timber	Concrete	Edge distance Timber	Edge Distance Concrete
Kaweka Balustrade	2	1600W	1600W (3 Spigots)	Engineers Aproval	A,B,E,C3	M12 x 130 Coach Screw	M12 x 130 Coach Screw	M12 x 110 Concrete Screw	50	65
Kaweka Pool Fence	2	N/A	1350W (1600 3 Spigots)	Engineers Aproval		M12 x 130 Coach Screw	M12 x 130 Coach Screw	M12 x 110 Concrete Screw	50	65

BelAire Kaweka Pool Fence Wind Zones



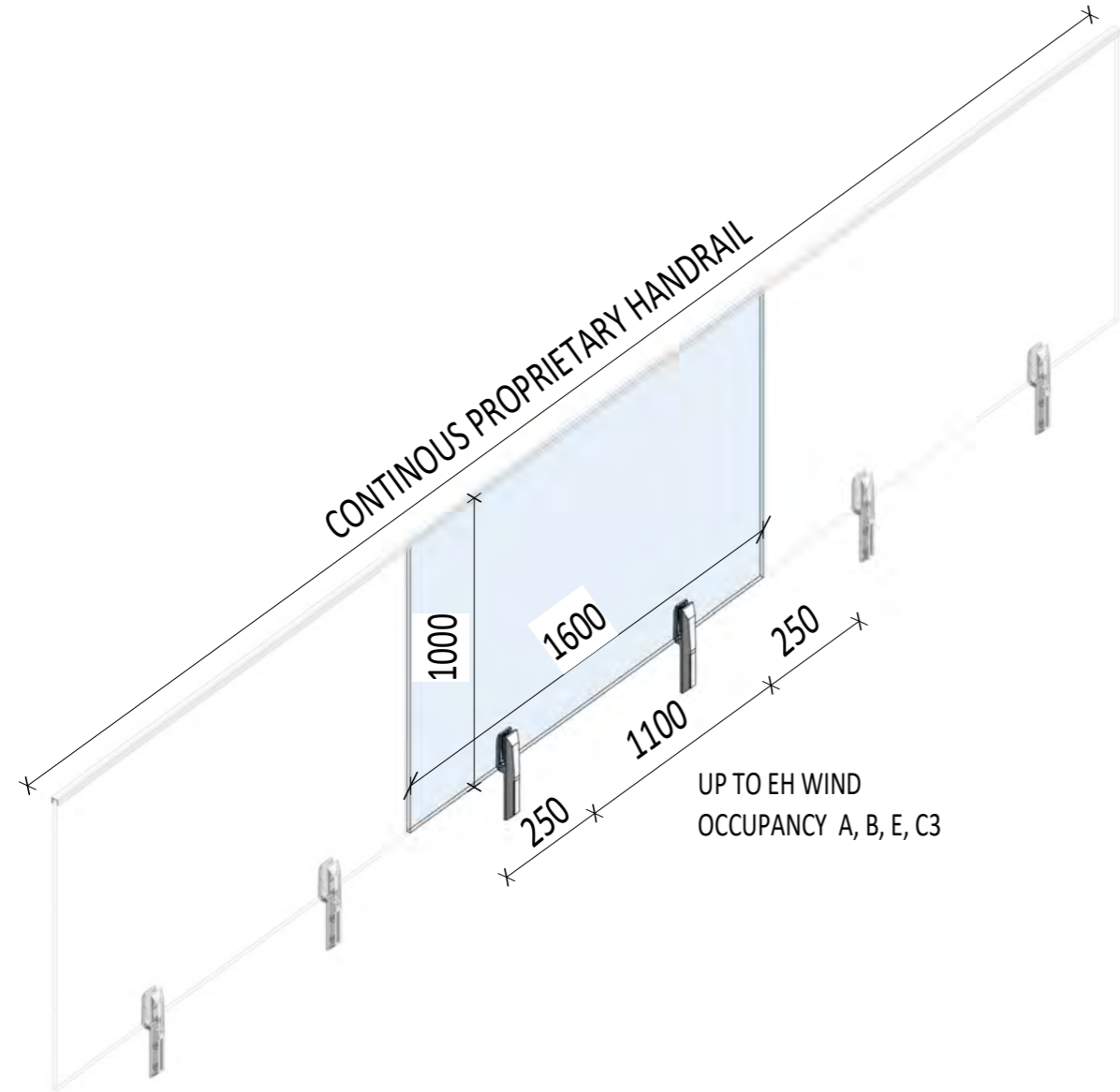
REF.	DESCRIPTION	DATE
R.0	INFORMATION	220719
R.1	CHEMICAL FIXING ADDED	220919
R.2	CONCRETE FIXING REVISED	221202
scale: @A3	drawn: AM	checked: PM
	status: P	project no: 20073
	drg no: KF01	rev: R.2

BelAire Kaweka Balustrade Wind Zones



REF.	DESCRIPTION	DATE
R.0	INFORMATION	220719
R.1	CHEMICAL FIXING ADDED	220919
R.2	CONCRETE FIXING REVISED	221202
scale: @A3	drawn: AM	checked: PM
	status: P	project no: 20073
	drg no: KB01	rev: R.2

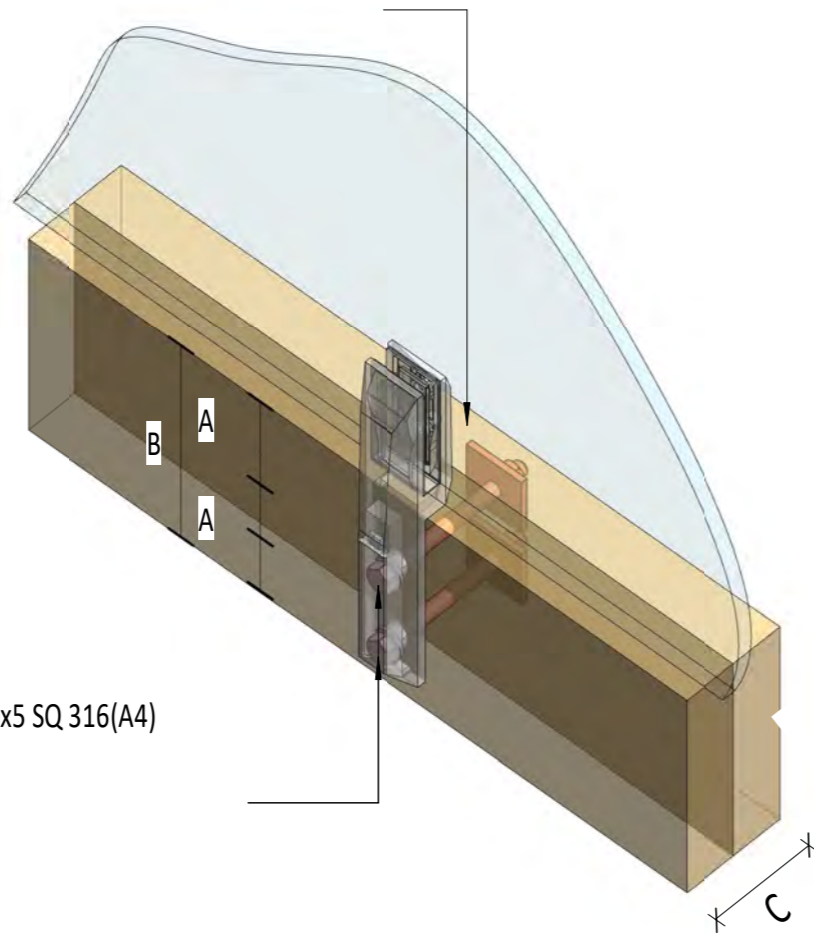
BelAire Kaweka Balustrade Wind Zones



REF.	DESCRIPTION	DATE
R.0	INFORMATION	220719
R.1	CHEMICAL FIXING ADDED	220919
R.2	CONCRETE FIXING REVISED	221202
scale: @A3	drawn: AM	checked: PM
	status: P	project no: 20073
	drg no: KB02	rev: R.2

MIN. SG8 TIMBER BY DESIGNED BY OTHERS,
TO BE SUFFICIENTLY STRONG AND STIFF TO TRANSFER THE BALUSTRADE
LOADS

B - TIMBER DEPTH MIN. $A+70+A=170\text{mm}$
C - TIMBER WIDTH MIN. 90mm



2/ M12 316(A4) HEX HEAD BOLTS WITH 50x5 SQ 316(A4)
WASHERS FROM TIMBER SIDE.

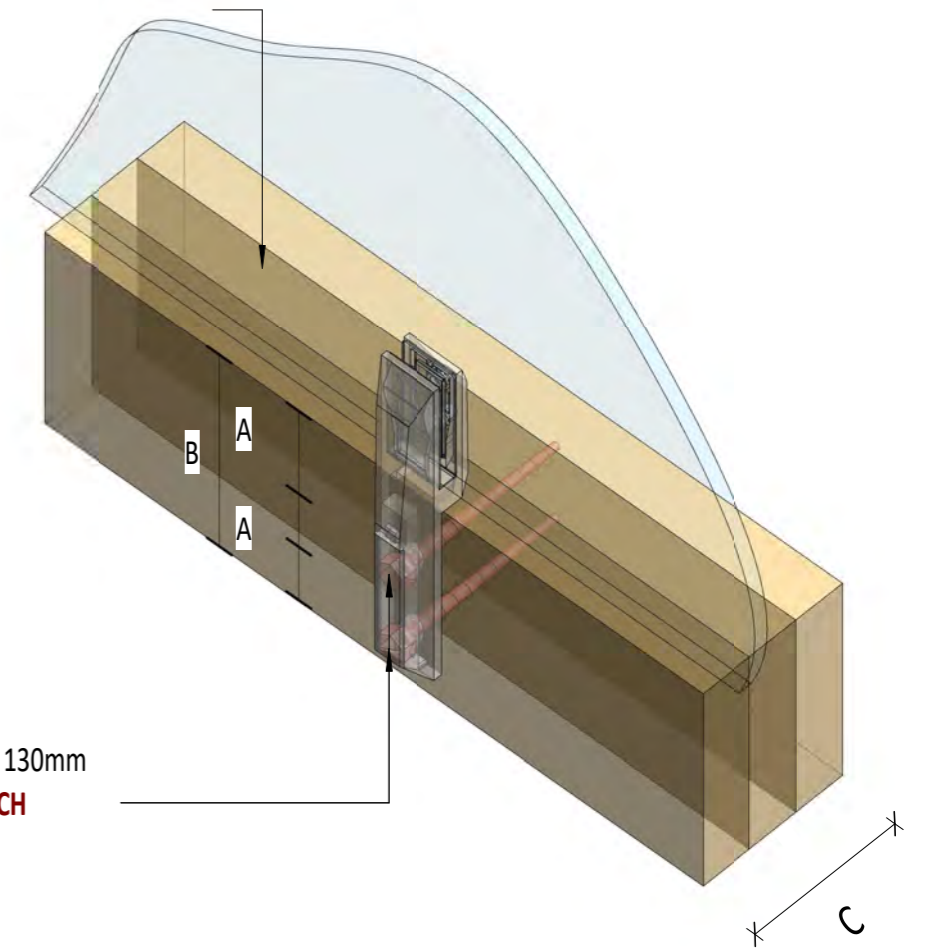
STORETECH SKU SCETHR12

A - EDGE DISTANCE MIN. 50mm

OPTION 1

MIN. SG8 TIMBER BY DESIGNED BY OTHERS,
TO BE SUFFICIENTLY STRONG AND STIFF TO TRANSFER THE BALUSTRADE
LOADS

B - MIN. TIMBER DEPTH $A+70+A=170\text{mm}$
C - MIN. TIMBER WIDTH 135mm



2/ M12 316(A4) HEX HEAD COACH SCREWS
LENGTH OF THREAD PENETRATION INTO TIMBER MIN. 130mm

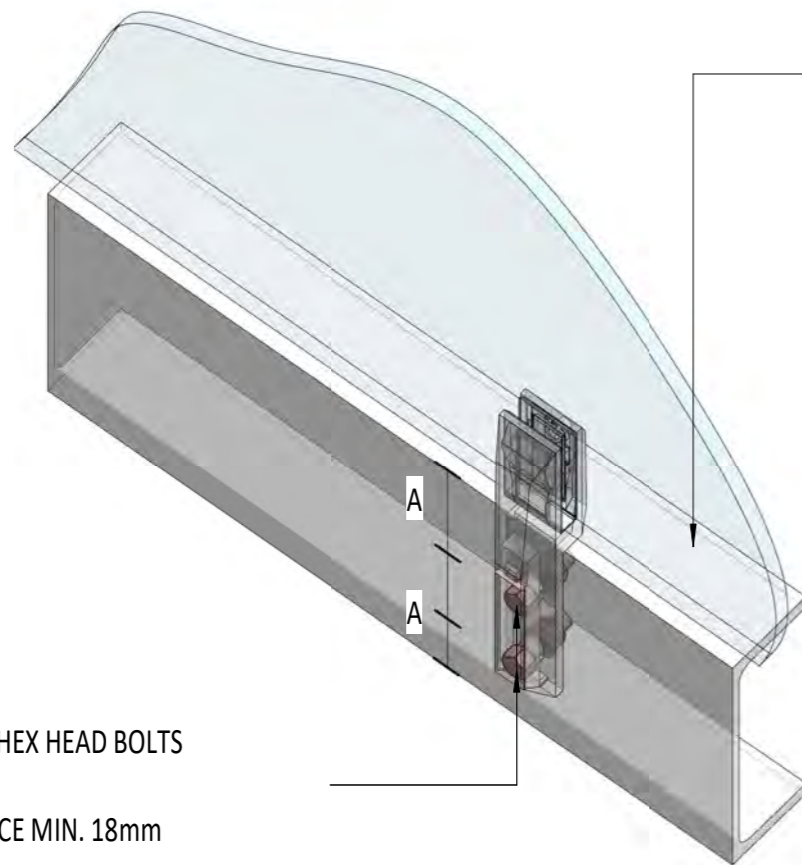
**STORETECH SKU FOR SCREW IS SCETHX - 12X130 COACH
SCREW**

A - MIN. EDGE DISTANCE MIN. 50mm

OPTION 2

CONNECTION TO TIMBER

REF.	DESCRIPTION	DATE
R.0	INFORMATION	220719
R.1	CHEMICAL FIXING ADDED	220919
R.2	CONCRETE FIXING REVISED	221202
scale: @A3	drawn: AM	checked: PM
	status: P	project no: 20073
	drg no: KF03	rev: R.2



STRUCTURAL STEELWORK
DESIGNED BY OTHERS TO HAVE SUFFICIENT STRENGTH AND RIGIDITY TO SUPPORT THE BALUSTRADE

2/M12 316(A4) HEX HEAD BOLTS

A - EDGE DISTANCE MIN. 18mm

STORETECH SKU N/A (Available on request)

CONNECTION TO STRUCTURAL STEEL

MECHANICAL ANCHORS:

2/HSA-R M12 x 115 (A4) STAINLESS STEEL BY HILTI,
Or
2/XTM HEX HEAD M12 X 110 (A4) STAINLESS STEEL BY
ICCONS

Min.80mm INTO CONCRETE

STORETECH SKU SCECHSA

STORETECH SKU SCETHR12 THREADED ROD AND NUT

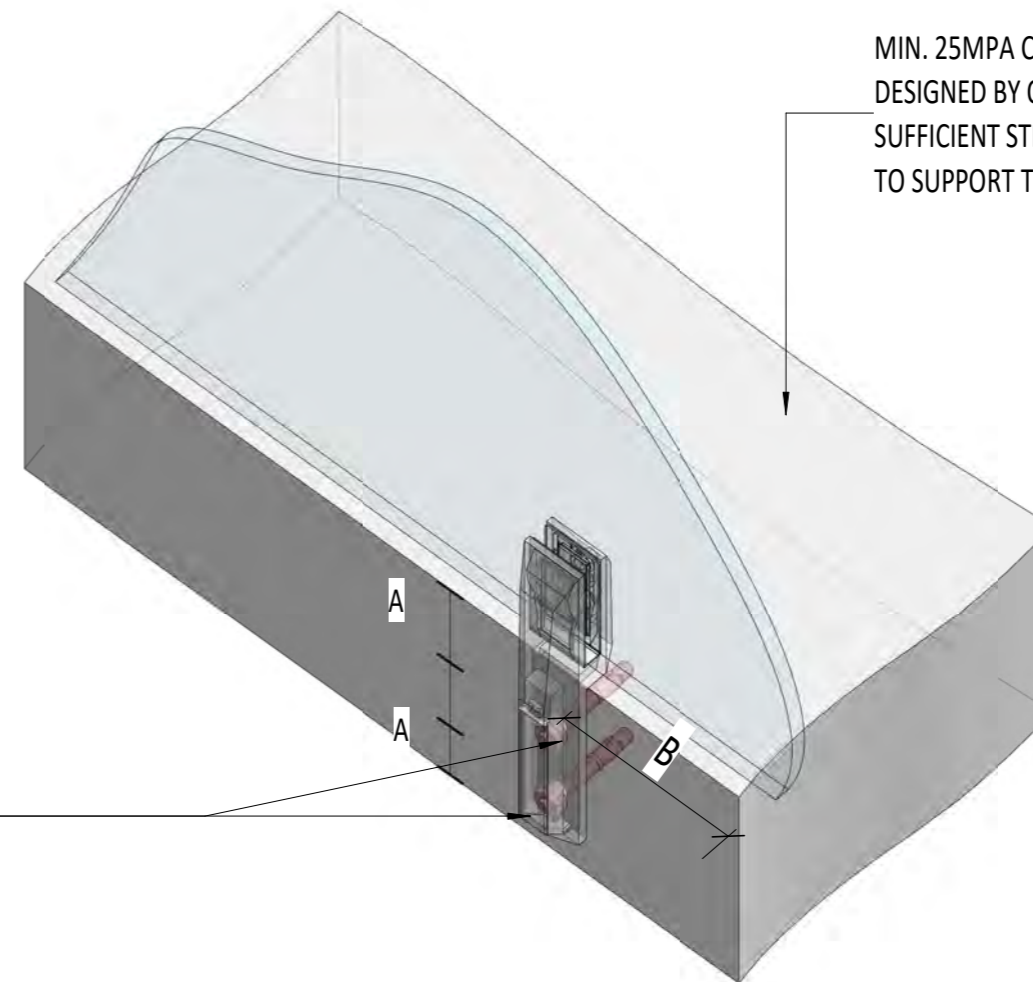
STORETECH SKU CHEMSET SCECHEM

CHEMICAL ANCHORS:

HIT-HY 170 INJECTION MORTAR + 2/HAS-U M12 x 110 TREADED RODS (A4) STAINLESS STEEL BY HILTI,

A - EDGE DISTANCE MIN. 65mm,

B - CORNER DISTANCE MIN. 265mm



MIN. 25MPA CONCRETE MIN. 200mm THICK
DESIGNED BY OTHERS TO HAVE
SUFFICIENT STRENGTH AND RIGIDITY
TO SUPPORT THE BALUSTRADE

CONNECTION TO CONCRETE

IMPORTANT INSTALLATION INSTRUCTIONS:

ALL PROPRIETARY PRODUCTS INCLUDING ANCHORS MUST BE INSTALLED IN STRICT ORDER WITH MANUFACTURER PROCEDURES.



7 Market Street
Napier. 4110

m. 0210398833, m.0211099712
www.extra-mile.co.nz, info@extra-mile.co.nz

Client:
STORETECH LIMITED

Project:
KAWEKA FIXING SPIGOT

Drawing:
BALUSTRADE CONNECTION DETAILS
SHEET 2

REF.	DESCRIPTION	DATE
R.0	INFORMATION	220719
R.1	CHEMICAL FIXING ADDED	220919
R.2	CONCRETE FIXING REVISED	221202
scale: @A3	drawn: AM	checked: PM
	status: P	project no: 20073
	drg no: KF04	rev: R.2