



# MILFORD



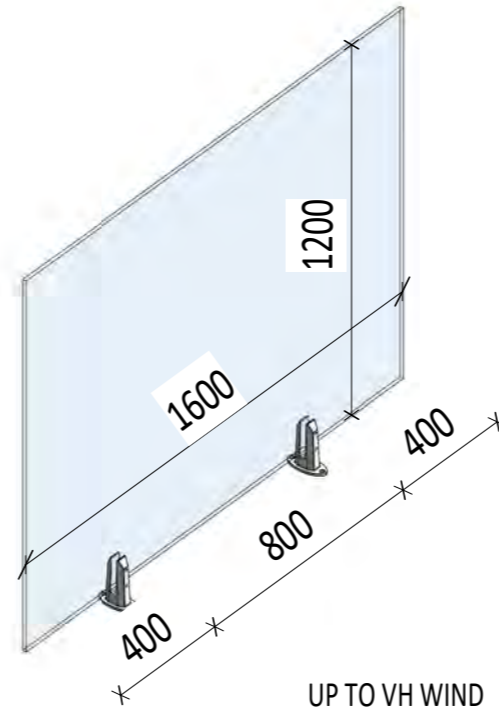
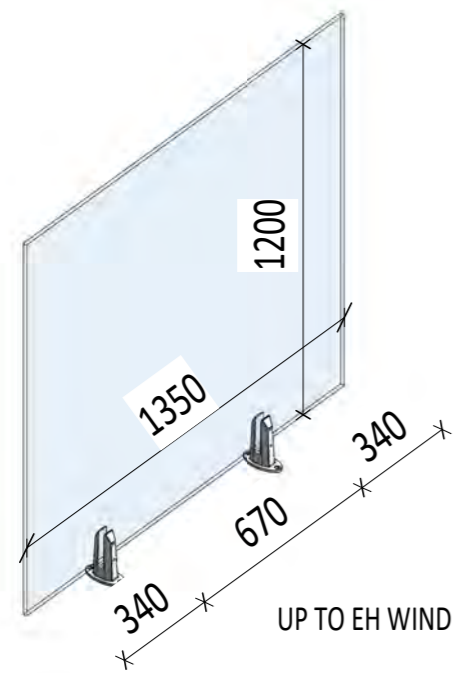
*...make it your own!*

## Wind and Fixing Specifications

Max Panel Sizes for <b>VH</b> Wind Zones Balustrade										
	Spigot Qty	1000mm high Glass	1200mm High Glass	1350mm High Glass	Occupancy	Fixing Wet Timber	Fixing Dry Timber	Concrete	Edge distance Timber	Edge Distance Concrete
Milford Balustrade	2	1600W	1400W	Engineers Aproval	A,B,E,C3	M12 x 130 Coach Screw	M12 x 130 Coach Screw	M12 x 110 Concrete Screw	23	65
Milford Pool Fence	2	N/A	1600W	1250W (1600W 3 Spigots)		M12 x 130 Coach Screw	M12 x 130 Coach Screw	M12 x 110 Concrete Screw	23	65

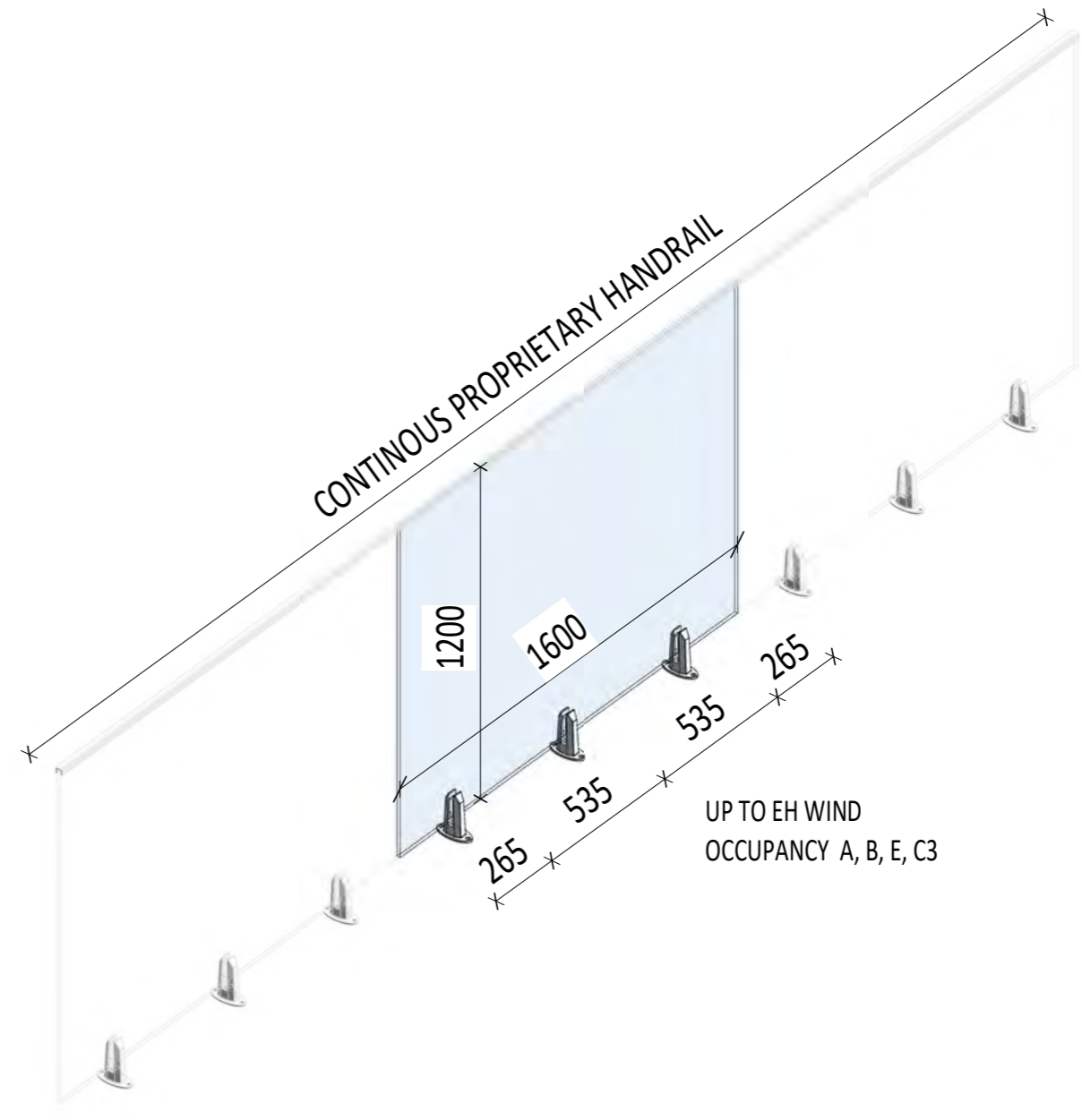
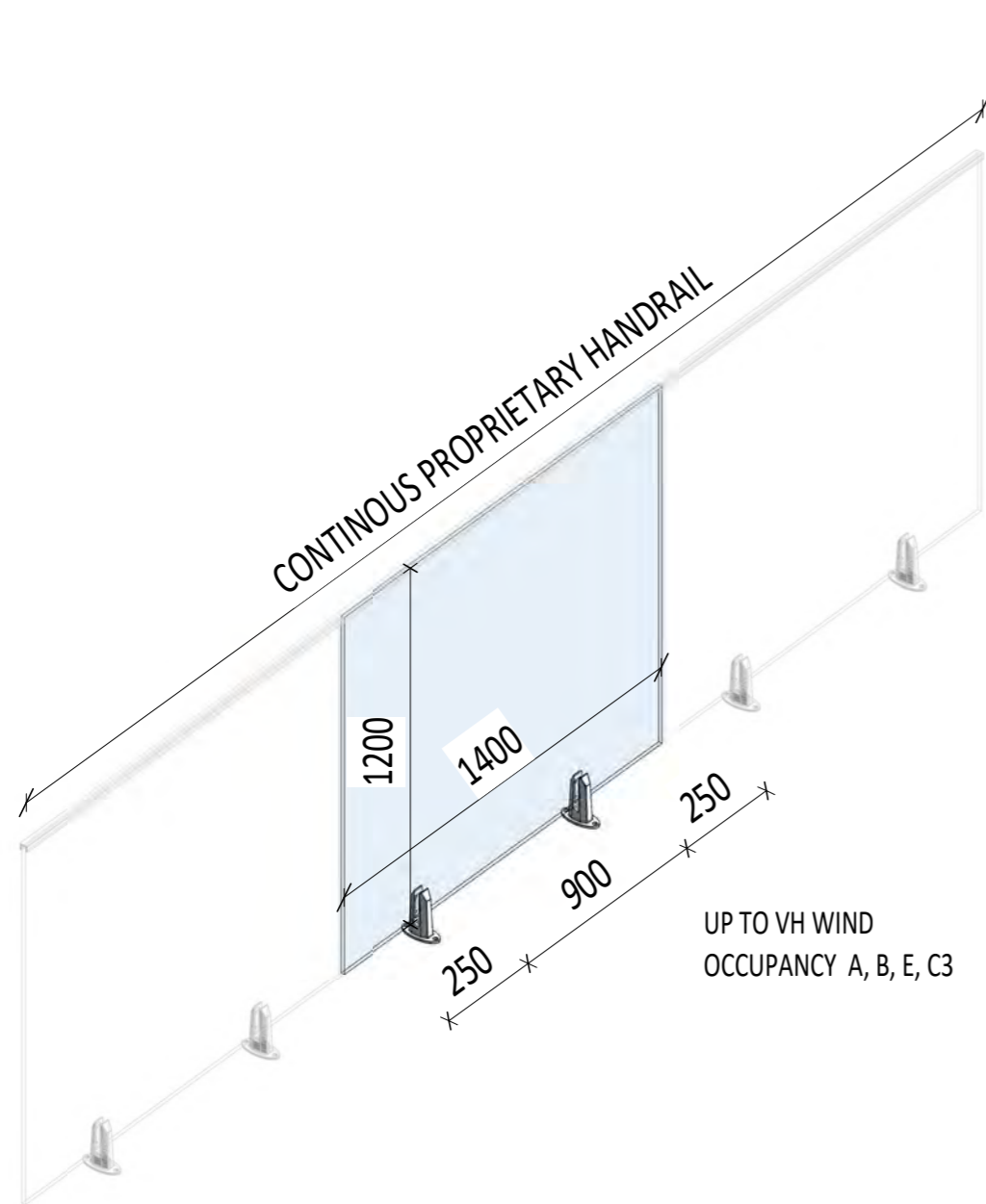
Max Panel Sizes for <b>EH</b> Wind Zones Balustrade										
	Spigot Qty	1000mm high Glass	1200mm High Glass	1350mm High Glass	Occupancy	Fixing Wet Timber	Fixing Dry Timber	Concrete	Edge distance Timber	Edge Distance Concrete
Milford Balustrade	2	1600W	1600W (3 Spigots)	Engineers Aproval	A,B,E,C3	M12 x 130 Coach Screw	M12 x 130 Coach Screw	M12 x 110 Concrete Screw	23	65
Milford Pool Fence	2	N/A	1350W (1600 3 Spigots)	Engineers Aproval		M12 x 130 Coach Screw	M12 x 130 Coach Screw	M12 x 110 Concrete Screw	23	65

## BelAire Milford Pool Fence Wind Zones



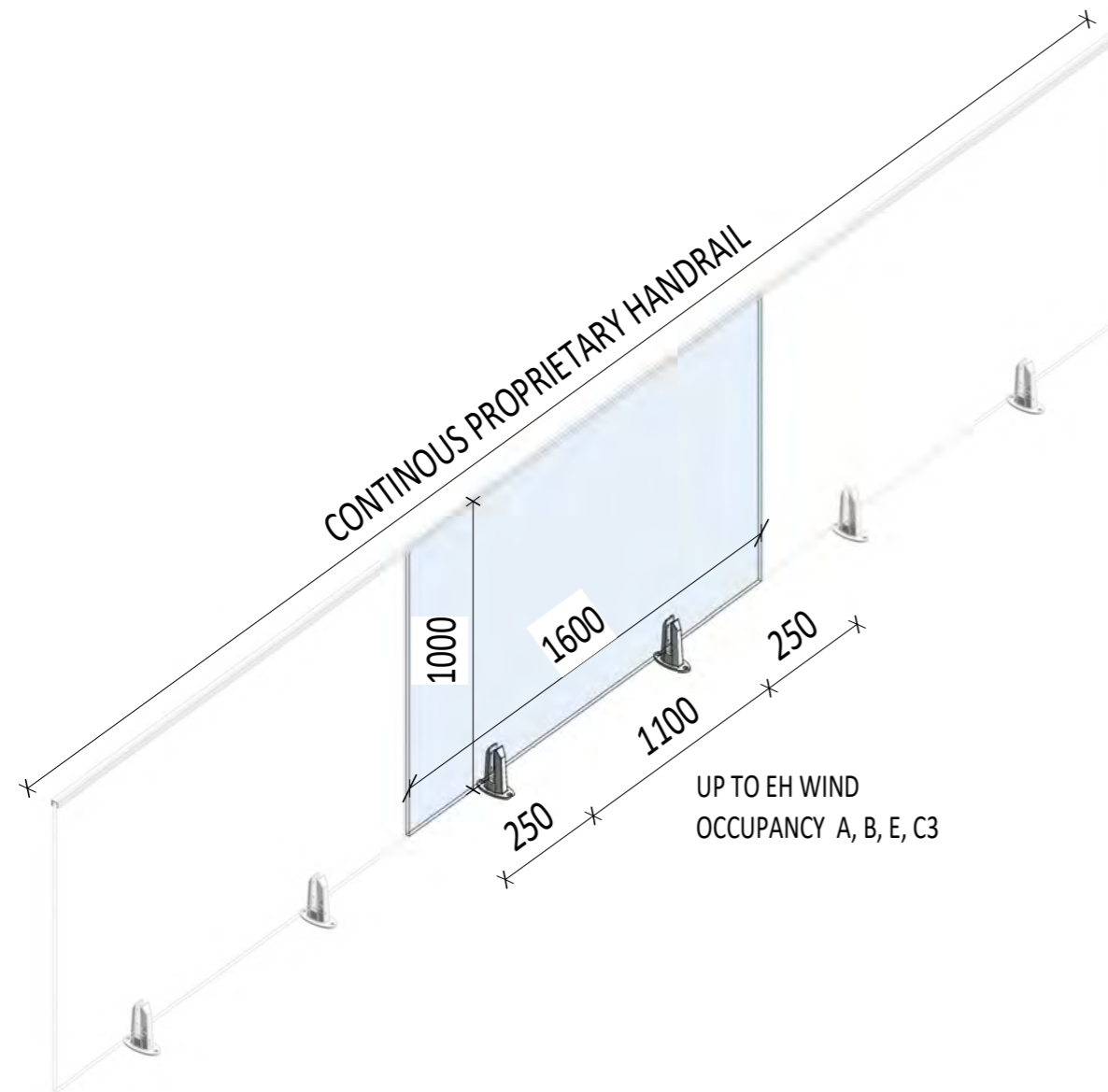
REF.	DESCRIPTION	DATE
R.0	INFORMATION	220525
R.1	CHEMICAL FIXING ADDED	220810
R.2	CONCRETE FIXING REVISED	221202
scale: @A3	drawn: <b>AM</b>	checked: <b>PM</b>
	status: <b>P</b>	project no: <b>20073</b>
	drg no: <b>MF01</b>	rev: <b>R.2</b>

## BelAire Milford Balustrade Wind Zones

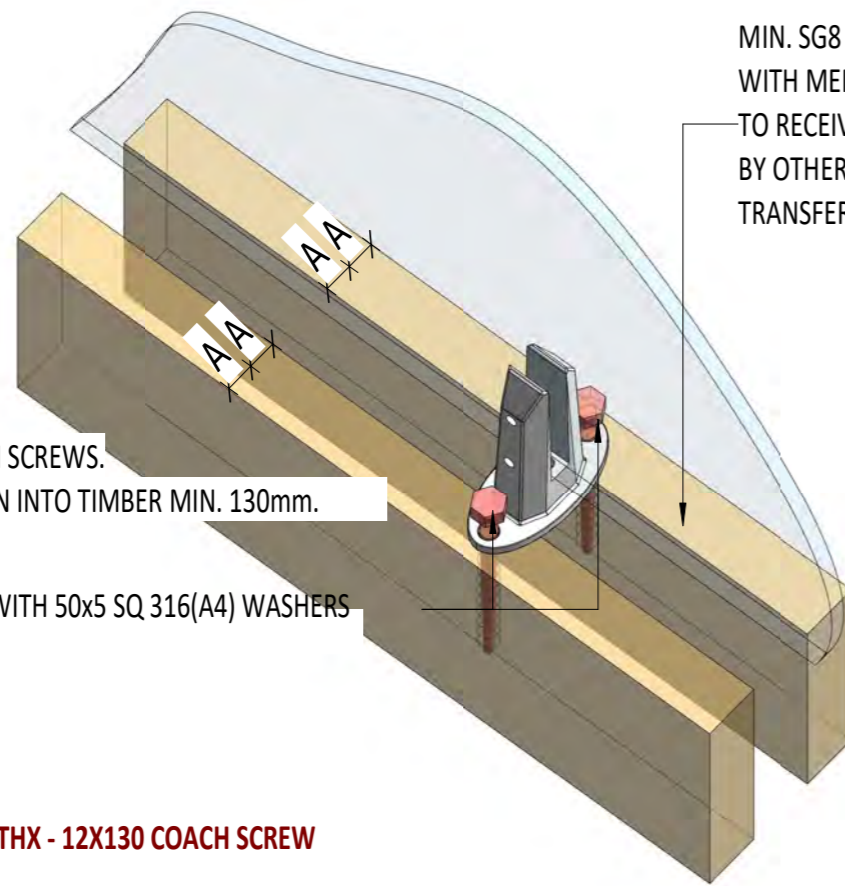


REF.	DESCRIPTION	DATE
R.0	INFORMATION	220525
R.1	CHEMICAL FIXING ADDED	220810
R.2	CONCRETE FIXING REVISED	221202
scale: @A3	drawn: AM	checked: PM
	status: P	project no: 20073
	drg no: MB01	rev: R.2

## BelAire Milford Balustrade Wind Zones



REF.	DESCRIPTION	DATE
R.0	INFORMATION	220525
R.1	CHEMICAL FIXING ADDED	220810
R.2	CONCRETE FIXING REVISED	221202
scale: @A3	drawn: AM	checked: PM
	status: P	project no: 20073
	drg no: MB02	rev: R.2



MIN. SG8 TIMBER SUBSTRUCTURE WITH MEMBERS SUFFICIENTLY SPACED TO RECEIVE BOLTS. THE SUBSTRUCTURE IS TO BE DESIGNED BY OTHERS BE SUFFICIENTLY STRONG AND RIGID TO TRANSFER THE BALUSTRADE LOADS

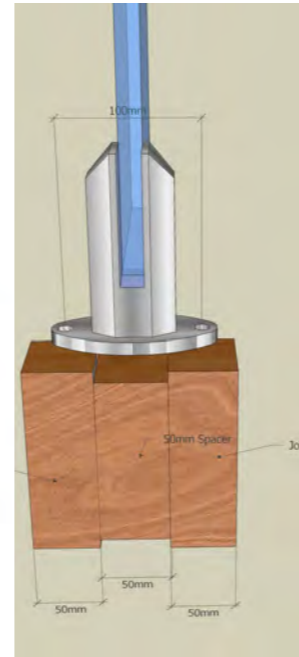
2/ M12 316(A4) HEX HEAD COACH SCREWS. LENGTH OF THREAD PENETRATION INTO TIMBER MIN. 130mm.

OR

2/M12 316(A4) HEX HEAD BOLTS WITH 50x5 SQ 316(A4) WASHERS FROM TIMBER SIDE.

A - EDGE DISTANCE MIN.23mm

STORETECH SKU FOR SCREW IS SCETHX - 12X130 COACH SCREW



### CONNECTION TO TIMBER

**MECHANICAL ANCHORS:**

2/HUS-HR 10 x 105 STAINLESS STEEL(A4) BY HILTI WITH DOME NUT, MIN.90mm INTO CONCRETE

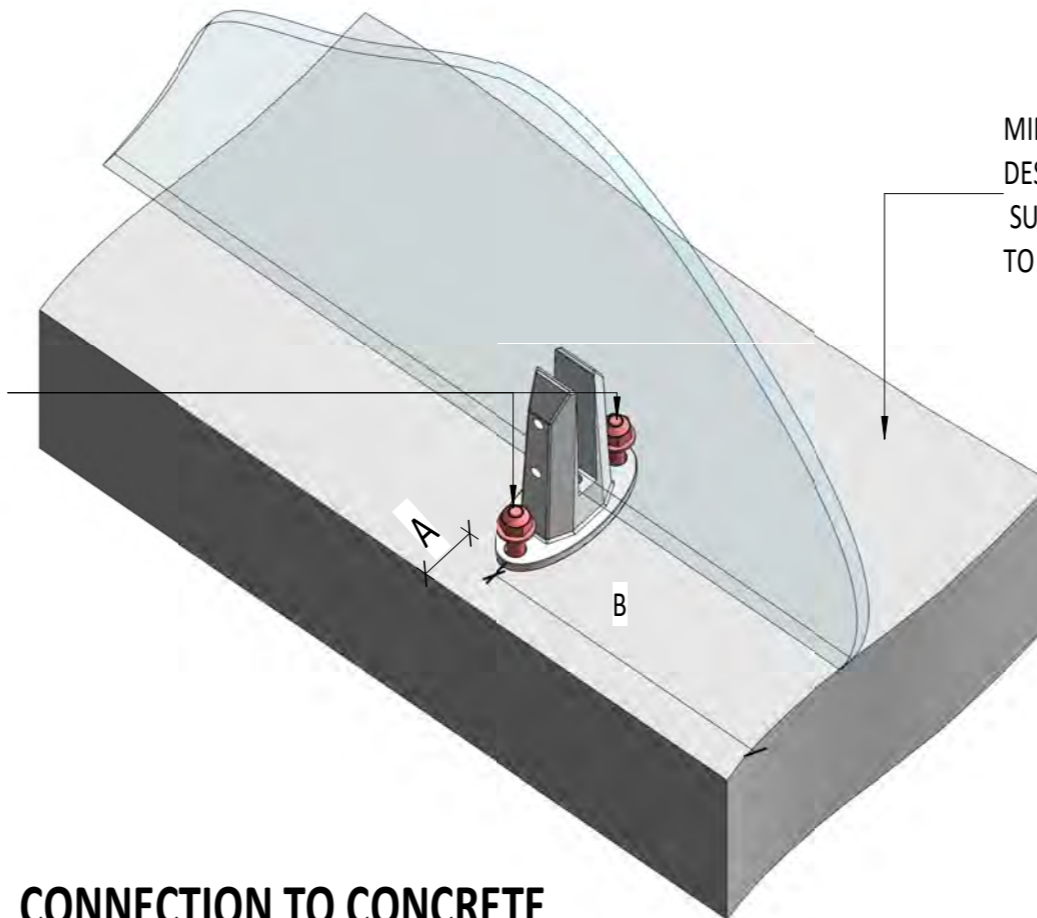
U@ U U @u\ #\V#k-u

STORETECH SKU SCECHSA

**CHEMICAL ANCHORS:**

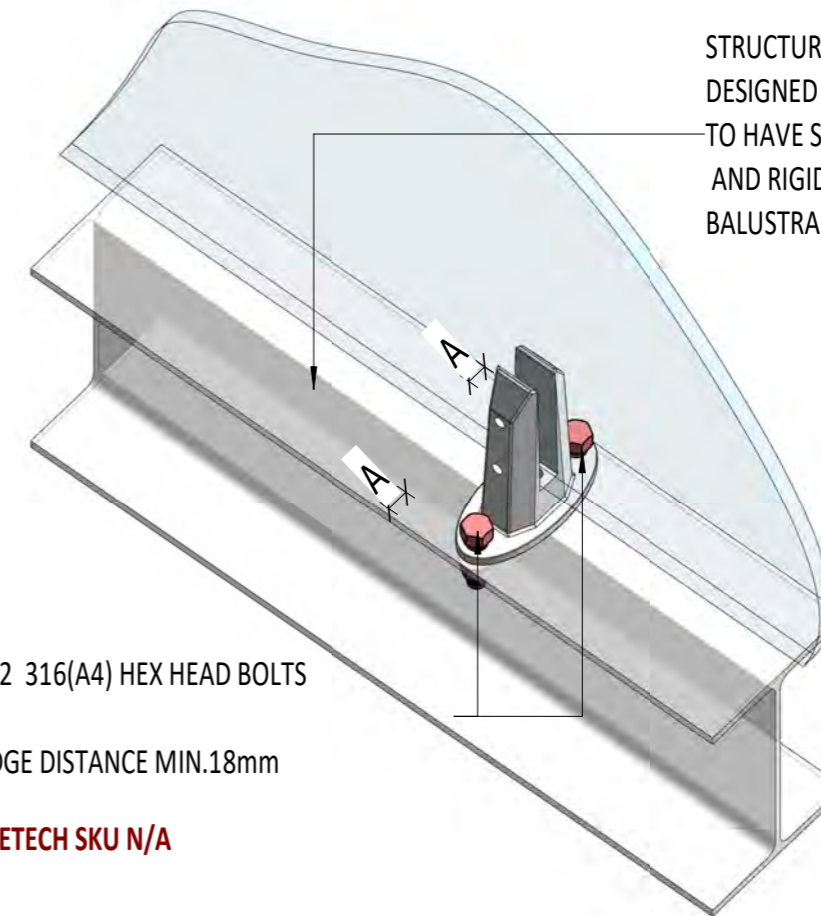
HIT-HY-200-R V3 170 INJECTION MORTAR + 2/HAS-U M10 x 115 (A4) STAINLESS STEEL BY HILTI WITH DOME NUT,

A - EDGE DISTANCE MIN. 65mm.  
B - CORNER DISTANCE MIN. 265mm



MIN. 25MPA CONCRETE MIN. 160mm THICK DESIGNED BY OTHERS TO HAVE SUFFICIENT STRENGTH AND RIGIDITY TO SUPPORT THE BALUSTRADE

### CONNECTION TO CONCRETE



STRUCTURAL STEELWORK DESIGNED BY OTHERS TO HAVE SUFFICIENT STRENGTH AND RIGIDITY TO SUPPORT THE BALUSTRADE

2/M12 316(A4) HEX HEAD BOLTS

A - EDGE DISTANCE MIN.18mm

STORETECH SKU N/A

### CONNECTION TO STRUCTURAL STEEL

**IMPORTANT INSTALLATION INSTRUCTIONS:**

ALL PROPRIETARY PRODUCTS INCLUDING ANCHORS MUST BE INSTALLED IN STRICT ORDER WITH MANUFACTURER PROCEDURES.



7 Market Street Napier. 4110 m. 0210398833, m.0211099712 www.extra-mile.co.nz, info@extra-mile.co.nz

Client: STORETECH LIMITED

Project: MILFORD FIXING SPIGOT

Drawing: BALUSTRADE CONNECTION DETAILS

REF.	DESCRIPTION	DATE
R.0	INFORMATION	220525
R.1	CHEMICAL FIXING ADDED	220810
R.2	CONCRETE FIXING REVISED	221202
scale: @A3	drawn: AM checked: PM status: P project no: 20073 drg no: MB03 rev: R.2	