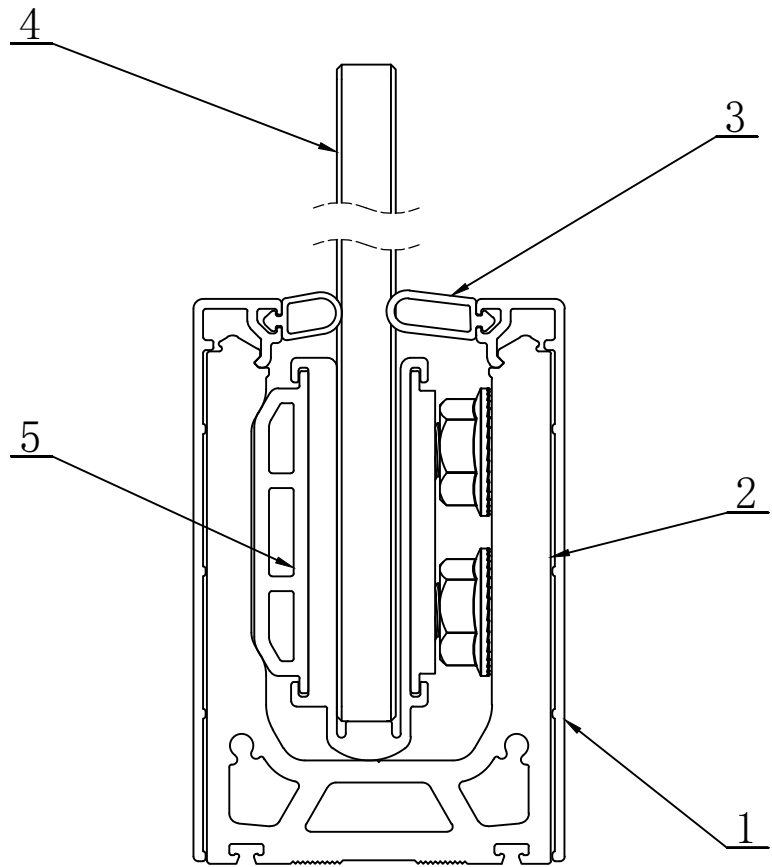


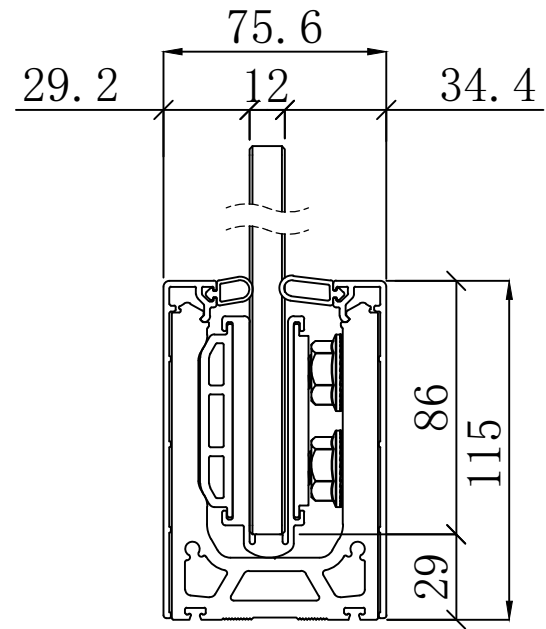
NO.	Part name	Description
1	SLMC	
2	SLTC	
3	SLBS-12/13	
4	Glass-12mm	
5	SLSC	
6	SLC12	
7	SLBC	

**OPUS GLASS HARDWARE**

Drawing Spec.	A4	WEIGHT (KG)		Drawn by	Michael	Drawn NO. SLMC-Side-12mm
Projection		Date	2024-02-22	Auditing by		
Version No.	F01	RE Date		Approved by		

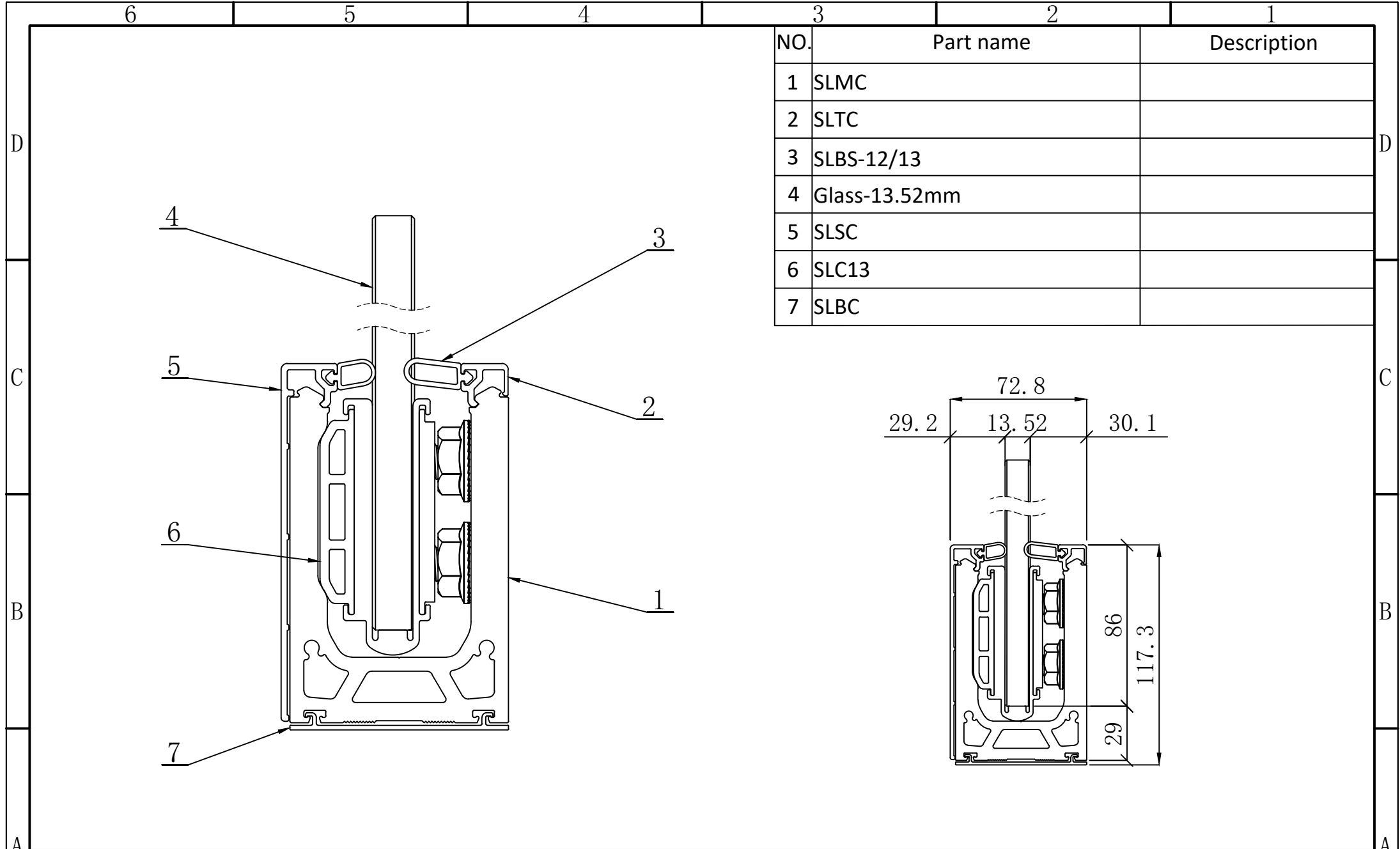


NO.	Part name	Description
1	SLSC	
2	SLMC	
3	SLBS-12/13	
4	Glass-12mm	
5	SLC12	



**OPUS GLASS HARDWARE**

Drawing Spec.	A4	WEIGHT (KG)		Drawn by	Michael	Drawn NO. SLMC-Top-12mm
Projection		Date	2024-02-22	Auditing by		
Version No.	F01	RE Date		Approved by		



NO.	Part name	Description
1	SLMC	
2	SLTC	
3	SLBS-12/13	
4	Glass-13.52mm	
5	SLSC	
6	SLC13	
7	SLBC	

**OPUS GLASS HARDWARE**

Drawing Spec.	A4	WEIGHT (KG)		Drawn by	Michael	Drawn NO. SLMC-Side-13mm
Projection		Date	2024-02-22	Auditing by		
Version No.	F01	RE Date		Approved by		

6 5 4 3 2 1

NO.	Part name	Description
1	SLSC	
2	SLMC	
3	SLBS-12/13	
4	Glass-13.52mm	
5	SLC13	

D

D

C

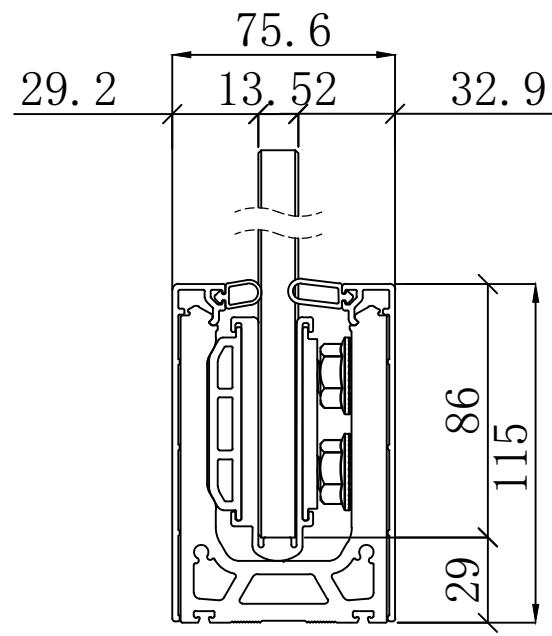
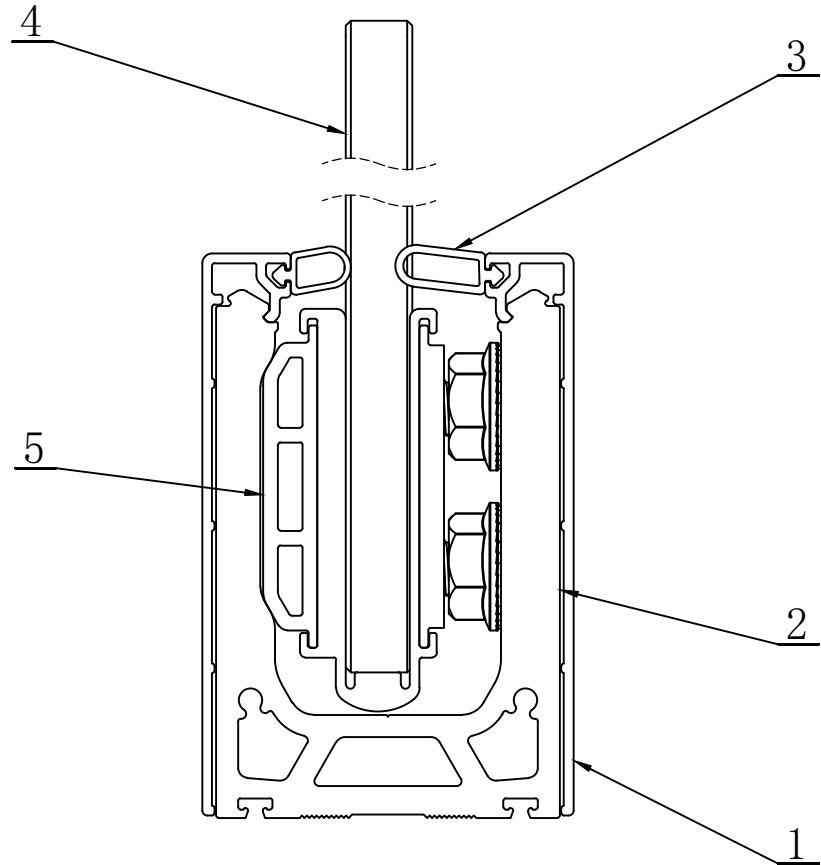
C

B

B

A

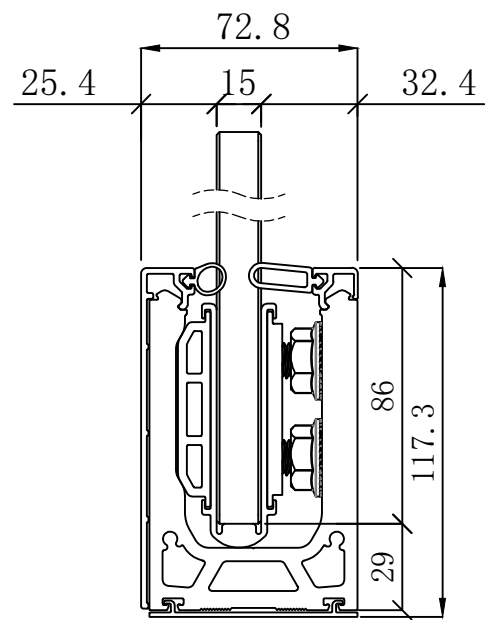
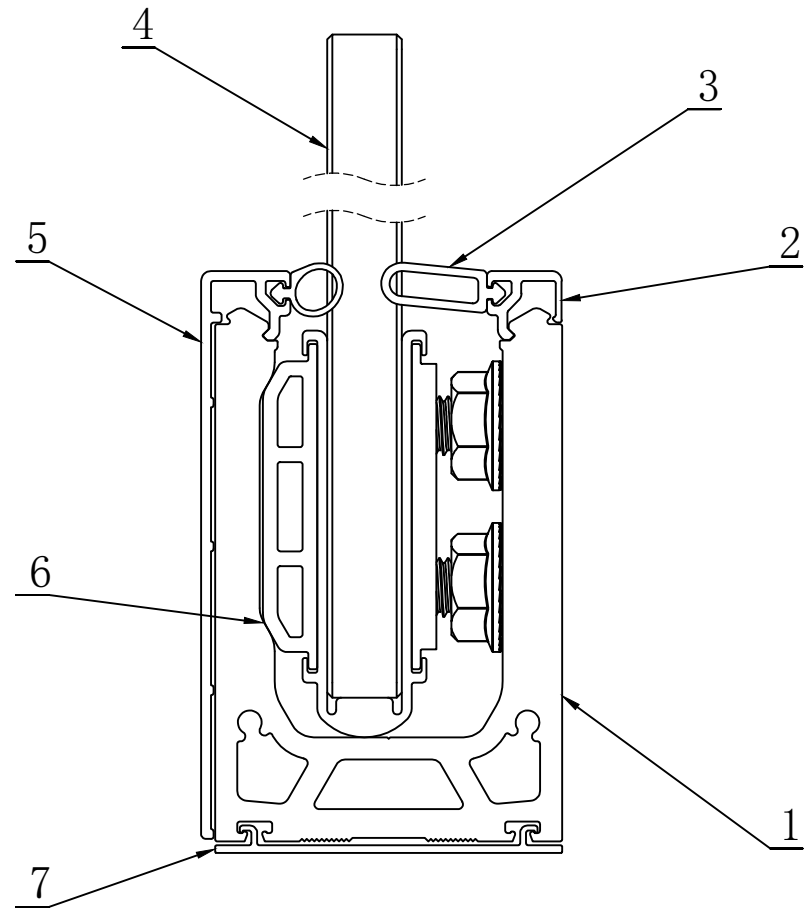
A



<b>OPUS GLASS HARDWARE</b>	Drawing Spec.	A4	WEIGHT (KG)		Drawn by	Michael	Drawn NO.
	Projection		Date	2024-02-22	Auditing by		SLMC-Top-13mm
	Version No.	F01	RE Date		Approved by		

6 5 4 3 2 1

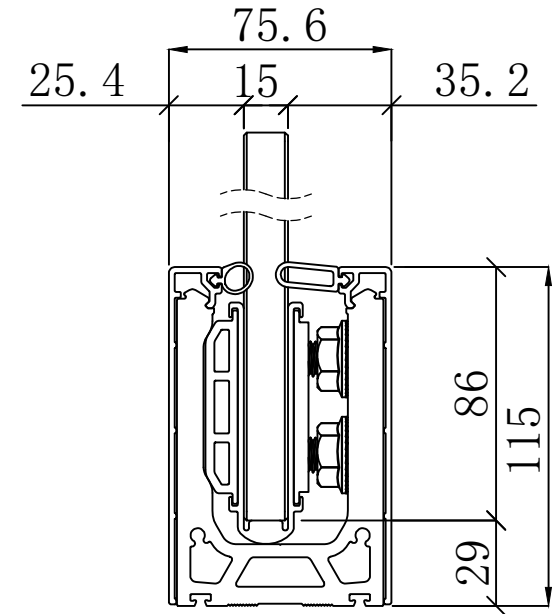
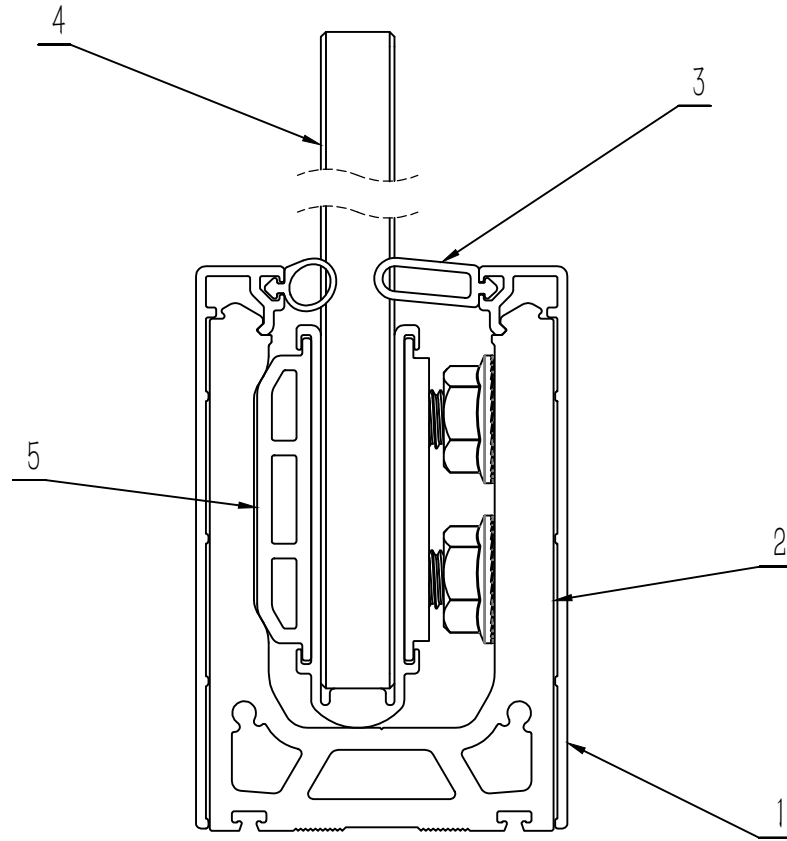
NO.	Part name	Description
1	SLMC	
2	SLTC	
3	SLBS-15	
4	Glass-15mm	
5	SLSC	
6	SLC15	
7	SLBC	



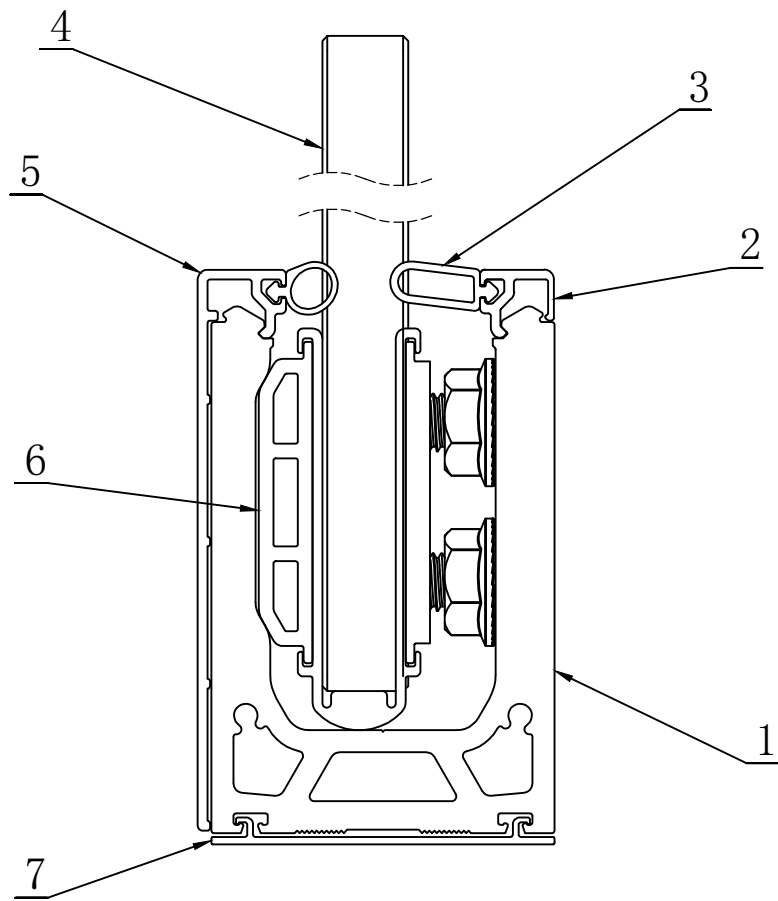
**OPUS GLASS HARDWARE**

Drawing Spec.	A4	WEIGHT (KG)		Drawn by	Michael	Drawn NO. SLMC-Sdie-15mm
Projection		Date	2024-02-22	Auditing by		
Version No.	F01	RE Date		Approved by		

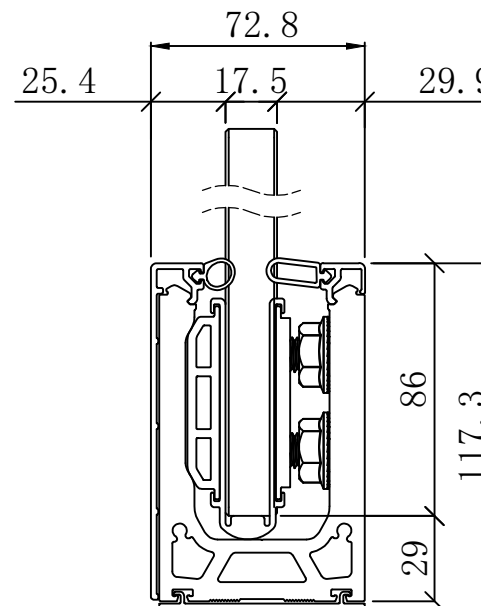
NO.	Part name	Description
1	SLSC	
2	SLMC	
3	SLBS-15	
4	Glass-15mm	
5	SLC15	



<b>OPUS GLASS HARDWARE</b>	Drawing Spec.	A4	WEIGHT (KG)		Drawn by	Michael	Drawn NO.
	Projection		Date	2024-02-22	Auditing by		SLMC-Top-15mm
	Version No.	F01	RE Date		Approved by		

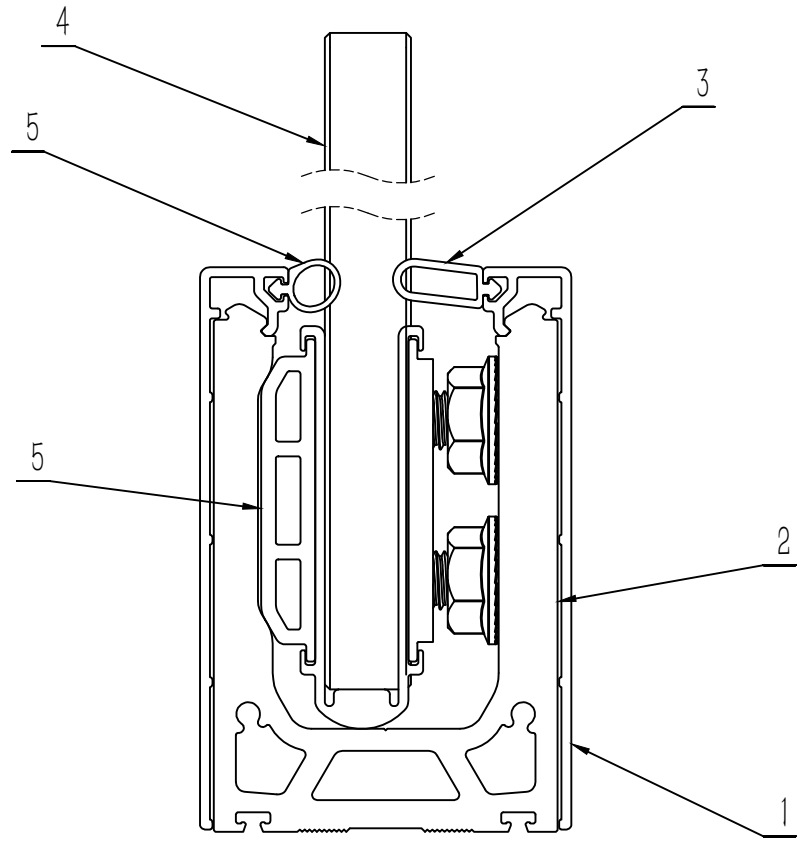


NO.	Part name	Description
1	SLMC	
2	SLTC	
3	SLBS-17	
4	Glass-17.52mm	
5	SLSC	
6	SLC17	
7	SLBC	

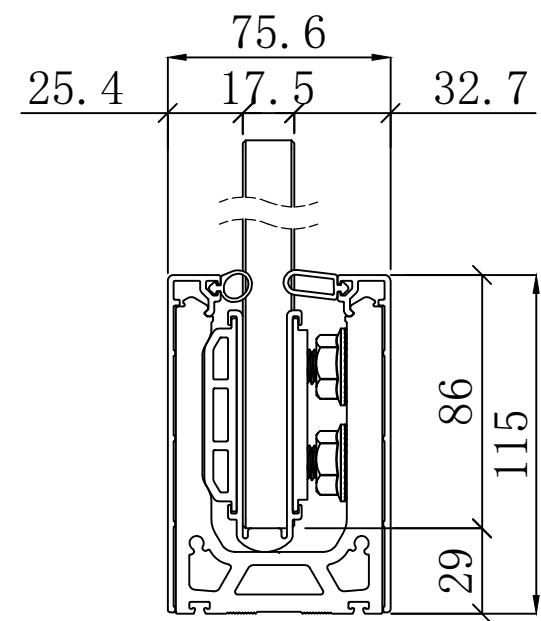


**OPUS GLASS HARDWARE**

Drawing Spec.	A4	WEIGHT (KG)		Drawn by	Michael	Drawn NO. SLMC-Side-17mm
Projection		Date	2024-02-22	Auditing by		
Version No.	F01	RE Date		Approved by		



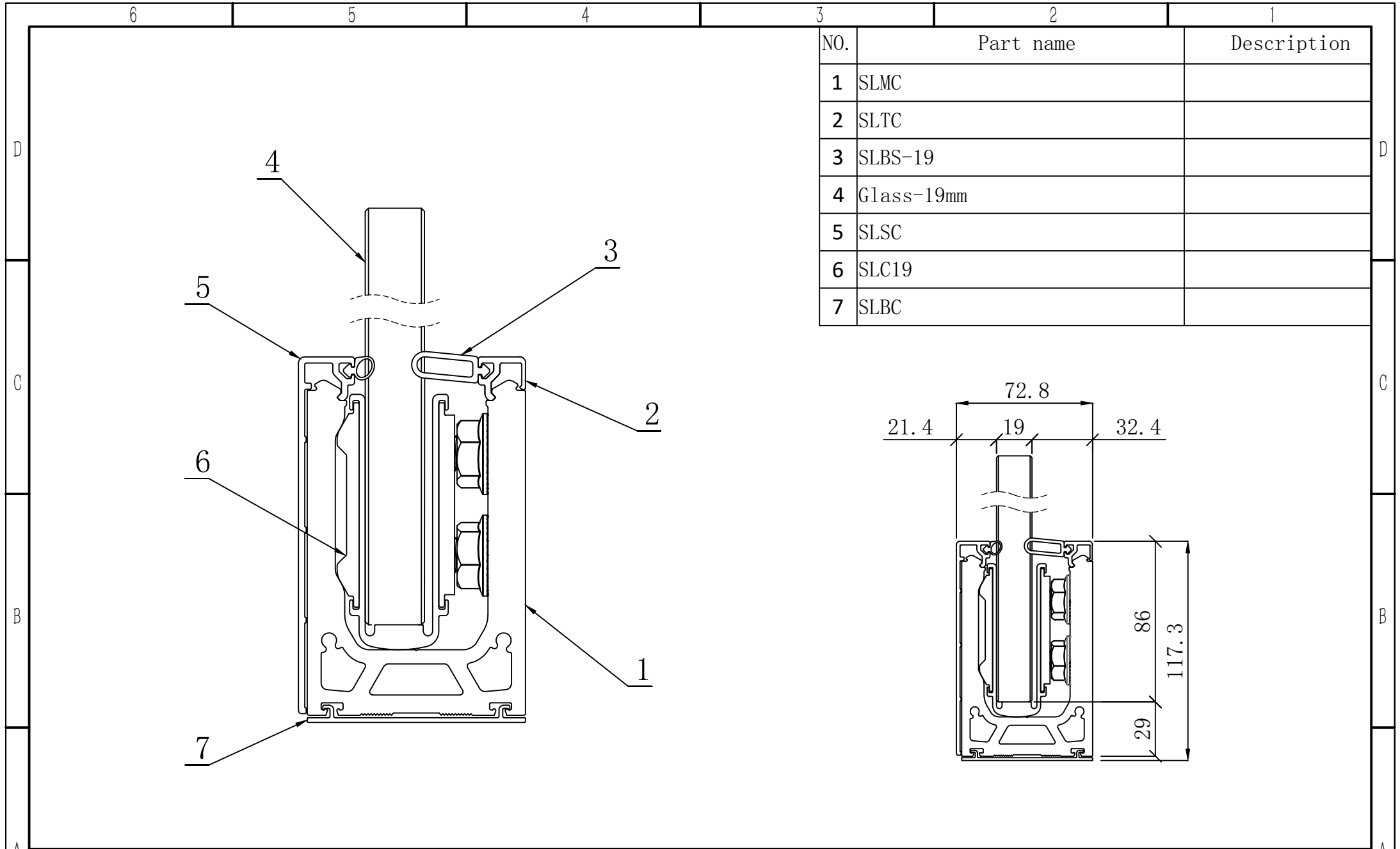
NO.	Part name	Description
1	SLSC	
2	SLMC	
3	SLBS-17	
4	Glass-17.52mm	
5	SLC17	



**OPUS GLASS HARDWARE**


Drawing Spec.	A4	WEIGHT (KG)		Drawn by	Michael	Drawn NO. SLMC-Top-17mm
Projection		Date	2024-02-22	Auditing by		
Version No.	F01	RE Date		Approved by		





NO.	Part name	Description
1	SLMC	
2	SLTC	
3	SLBS-19	
4	Glass-19mm	
5	SLSC	
6	SLC19	
7	SLBC	

**OPUS GLASS HARDWARE**

Drawing Spec.	A4	WEIGHT (KG)		Drawn by	Michael	Drawn NO. SLMC-Sdie-19mm
Projection		Date	2024-02-22	Auditing by		
Version No.	F01	RE Date		Approved by		

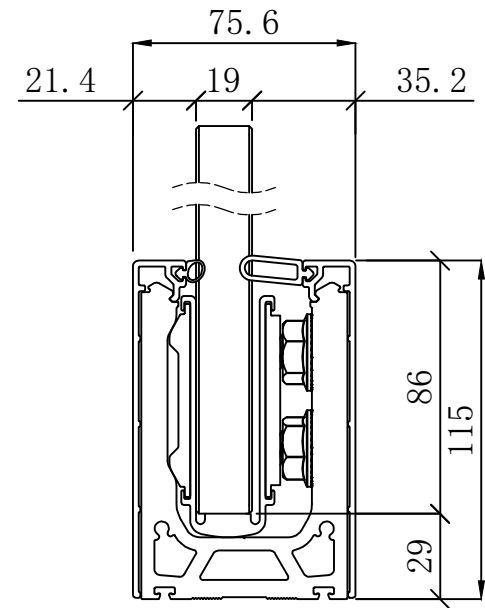
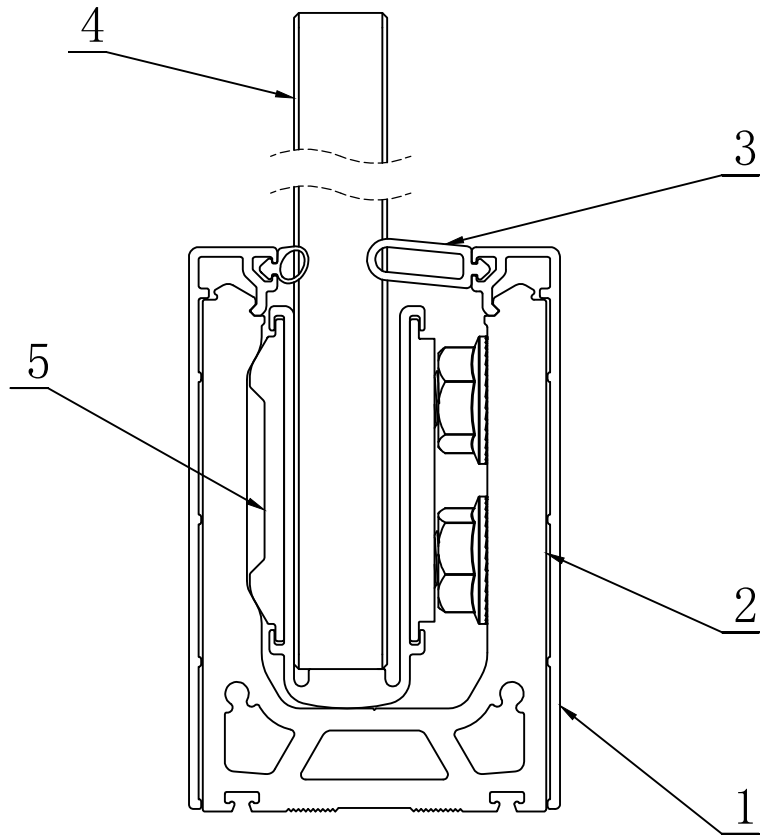
6 5 4 3 2 1

6 5 4 3 2 1

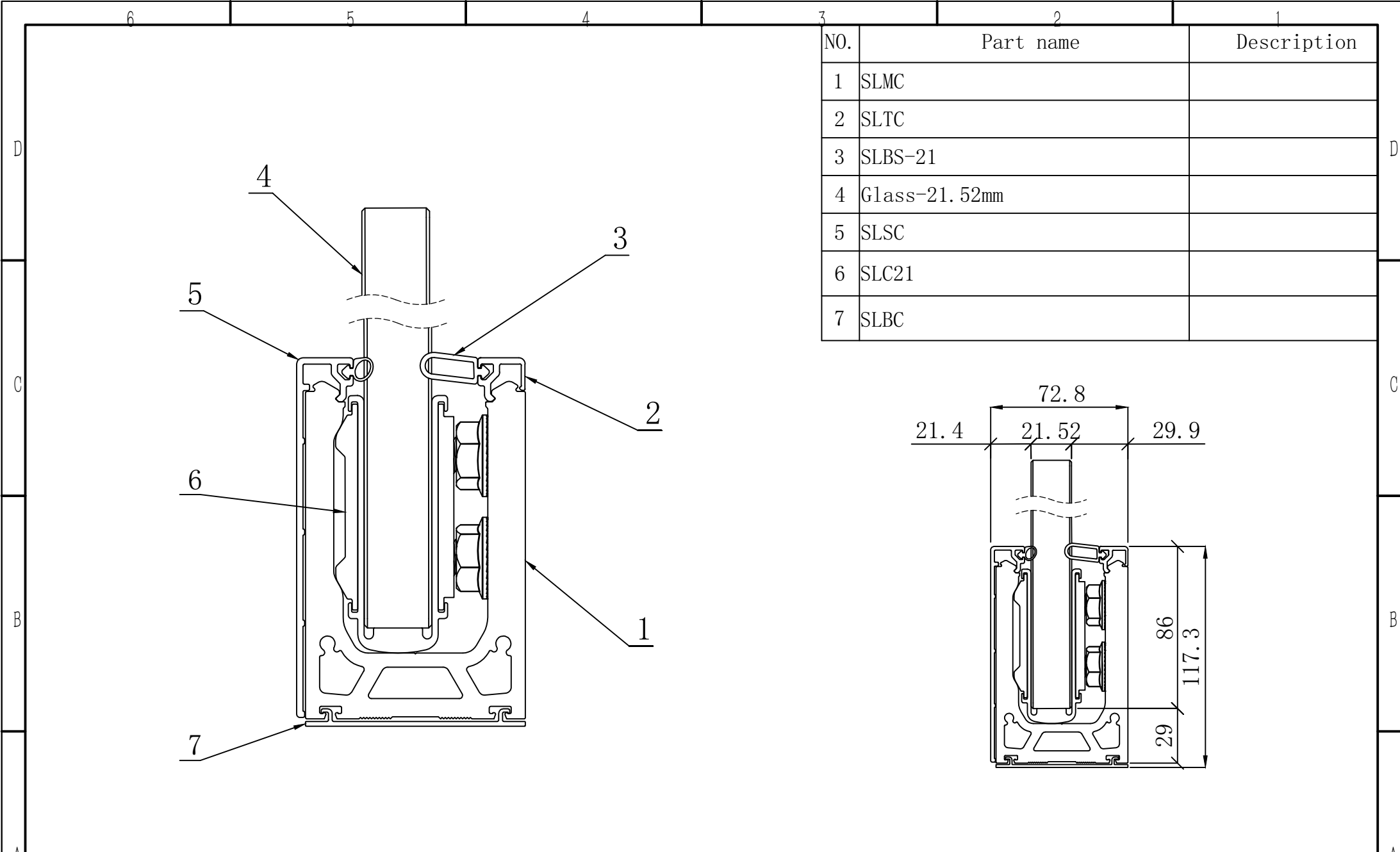
D  
C  
B  
A

D  
C  
B  
A

NO.	Part name	Description
1	SLSC	
2	SLMC	
3	SLBS-19	
4	Glass-19mm	
5	SLC19	



<b>OPUS GLASS HARDWARE</b>	Drawing Spec.	A4	WEIGHT (KG)		Drawn by	Michael	Drawn NO. SLMC-Top-19mm
	Projection		Date	2024-02-22	Auditing by		
	Version No.	F01	RE Date		Approved by		

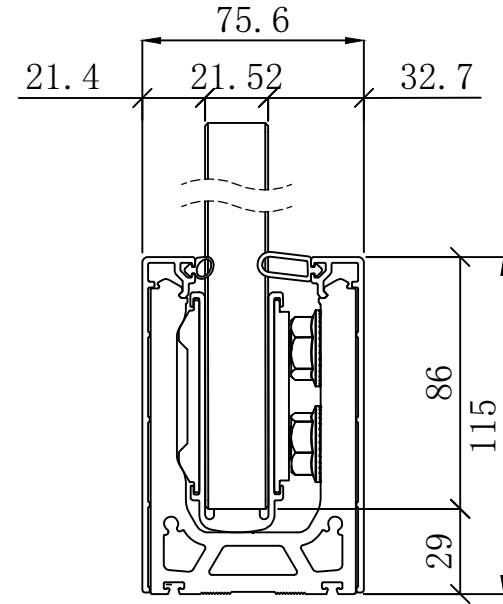
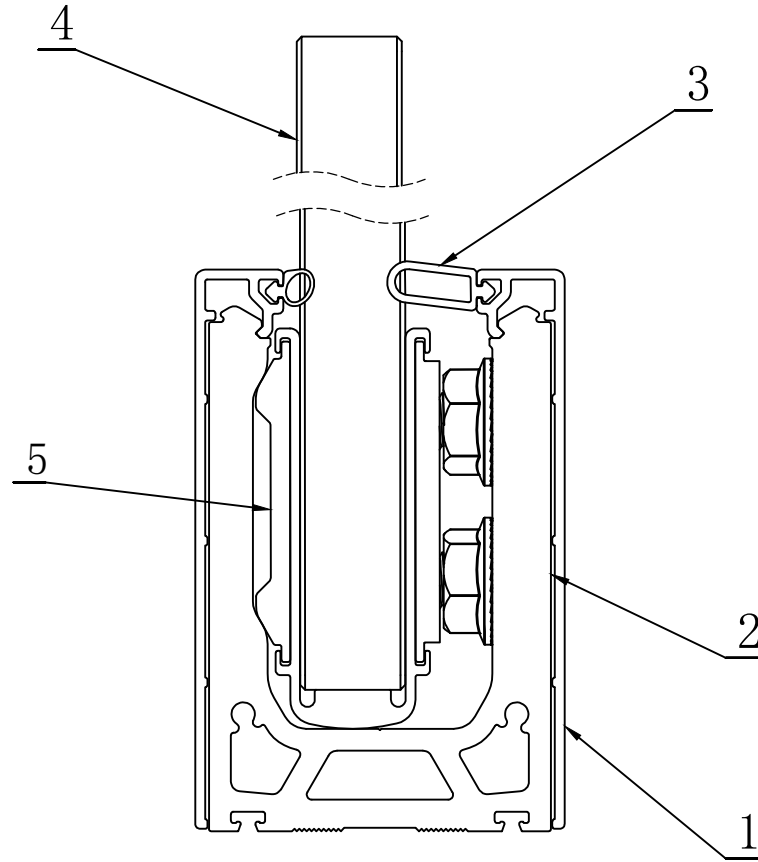


NO.	Part name	Description
1	SLMC	
2	SLTC	
3	SLBS-21	
4	Glass-21.52mm	
5	SLSC	
6	SLC21	
7	SLBC	


**OPUS GLASS HARDWARE**

Drawing Spec.	A4	WEIGHT (KG)		Drawn by	Michael	Drawn NO.
Projection		Date	2024-02-22	Auditing by		SLMC-Sdie-21mm
Version No.	F01	RE Date		Approved by		

NO.	Part name	Description
1	SLSC	
2	SLMC	
3	SLBS-21	
4	Glass-21.52mm	
5	SLC21	



**OPUS GLASS HARDWARE**

Drawing Spec.	A4	WEIGHT (KG)		Drawn by	Michael	Drawn NO.
Projection		Date	2024-02-22	Auditing by		SLMC-Top-21mm
Version No.	F01	RE Date		Approved by		

6

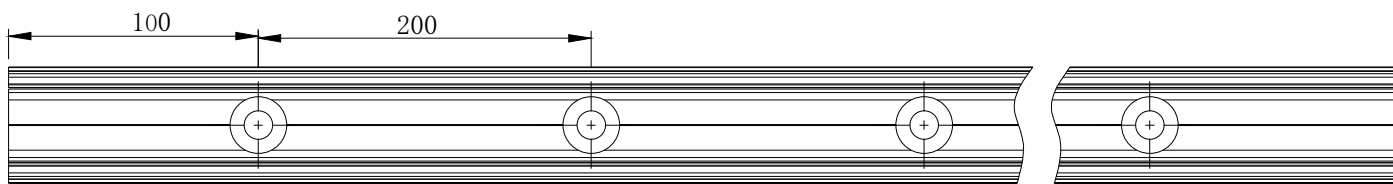
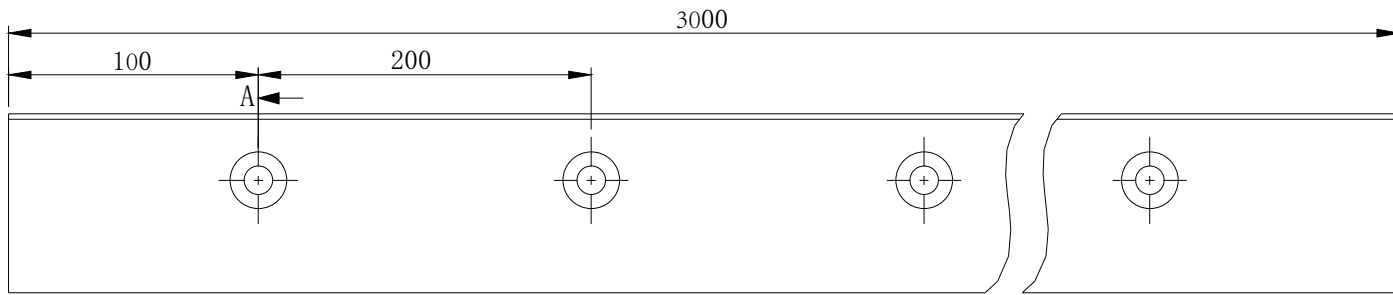
5

4

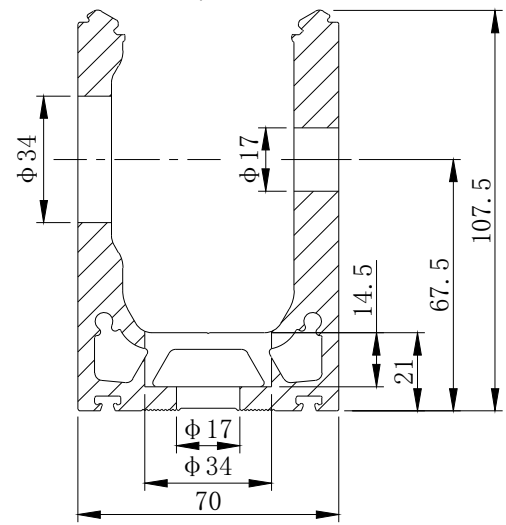
3

2

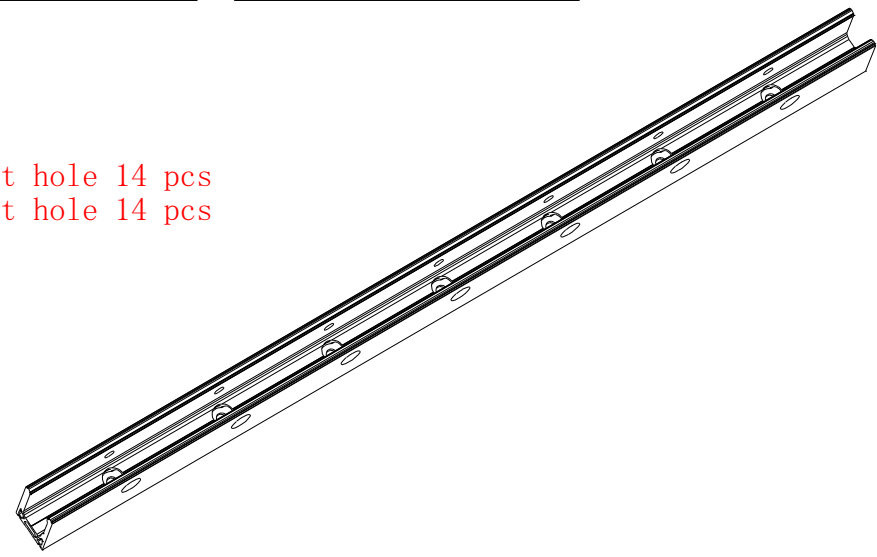
1



A-A  
1:2



0.5mm ±  
 $\phi 17$ mm Straight hole 14 pcs  
 $\phi 34$ mm Straight hole 14 pcs



D

D

C

C

B

B