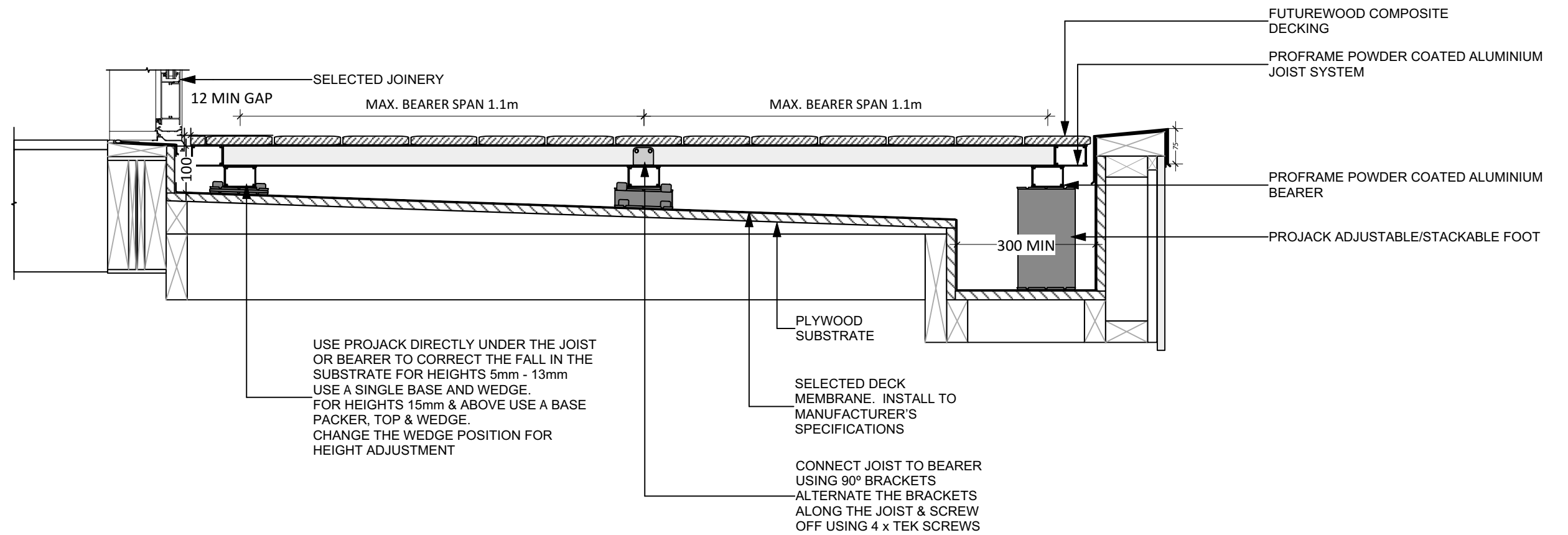
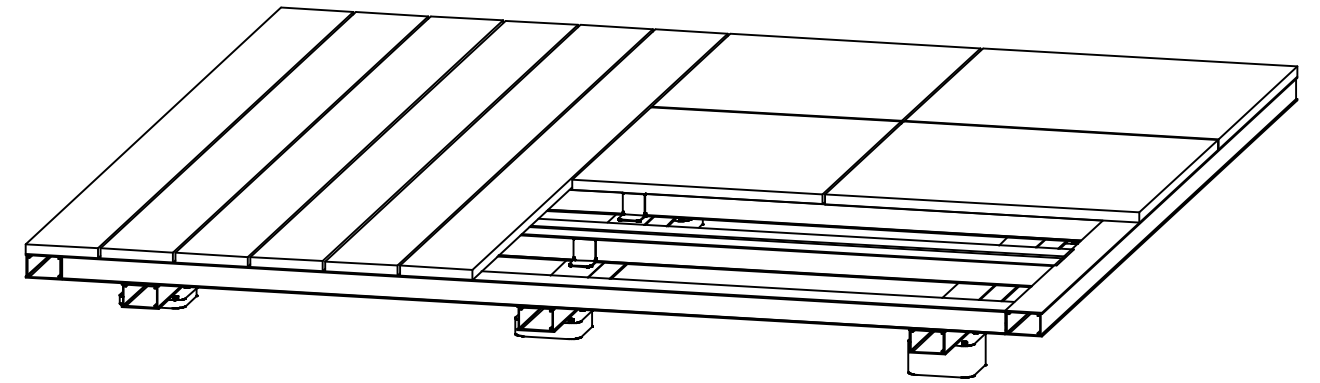
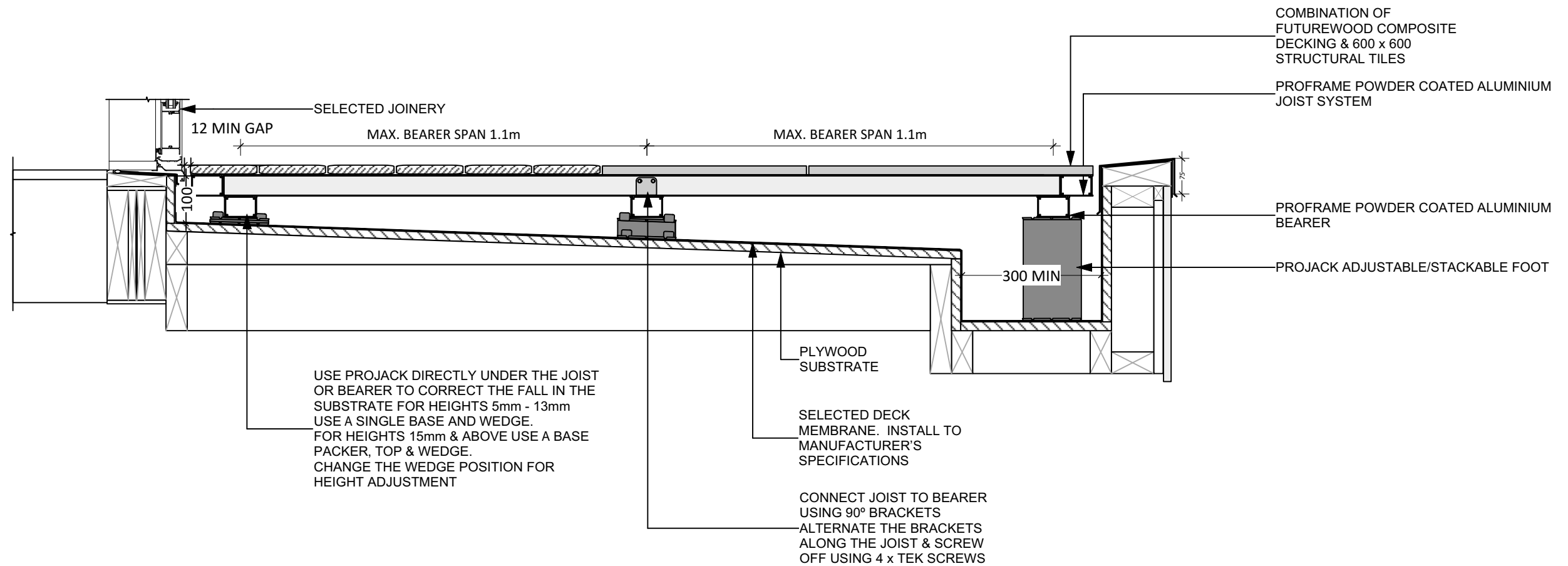


3D PERSPECTIVE - NTS

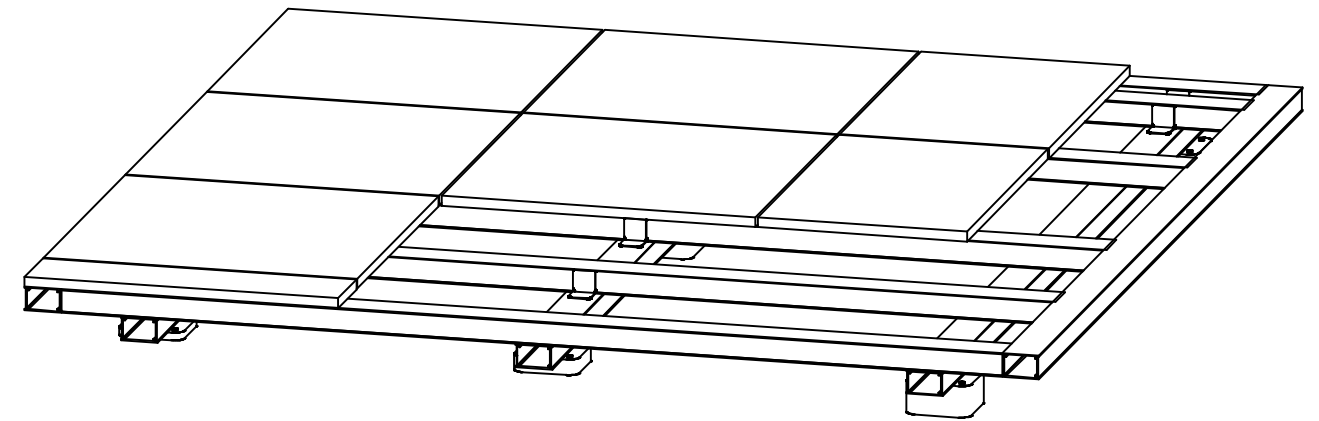




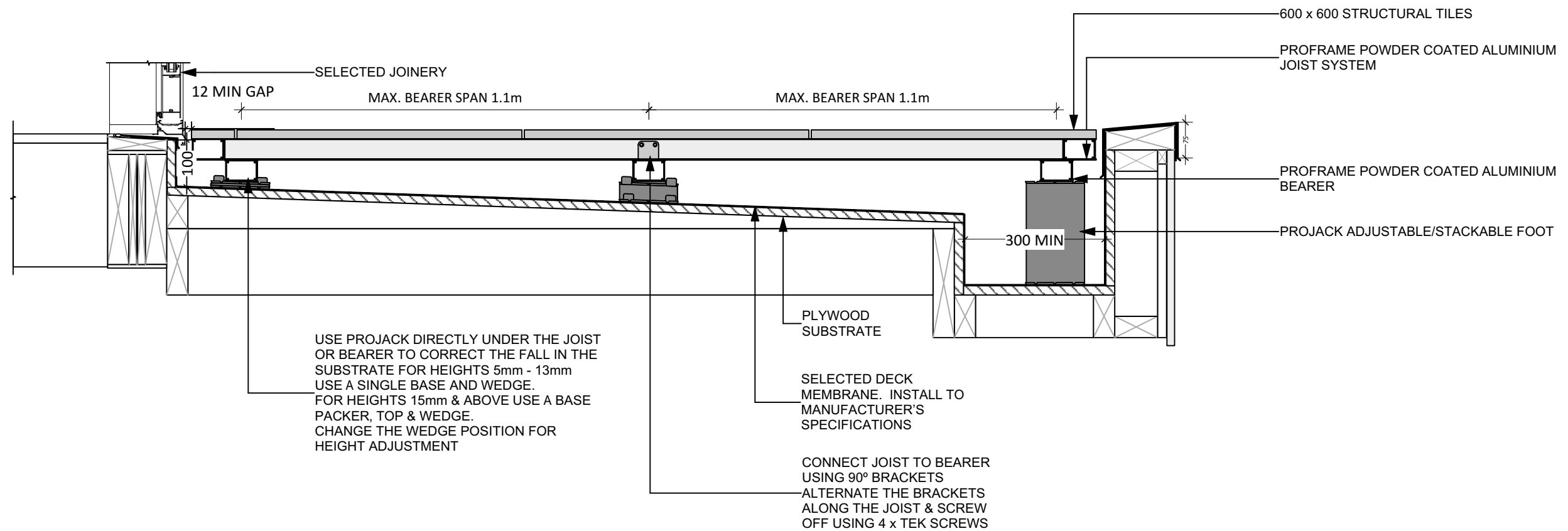
3D PERSPECTIVE - NTS



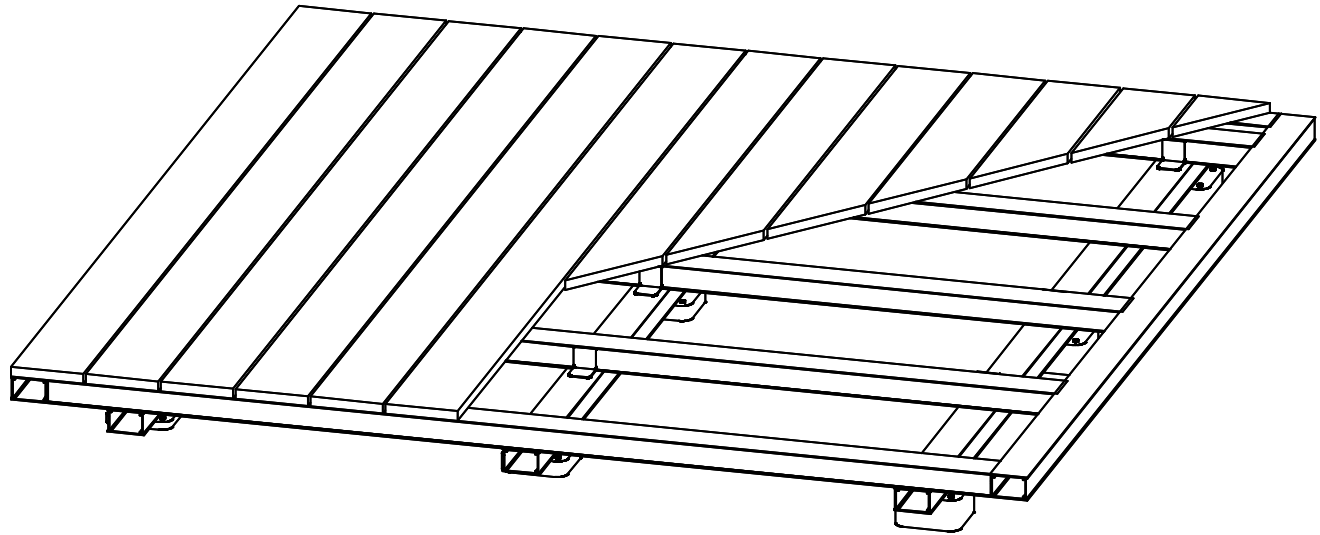
CROSS SECTION PARAPET WITH INTERNAL GUTTER



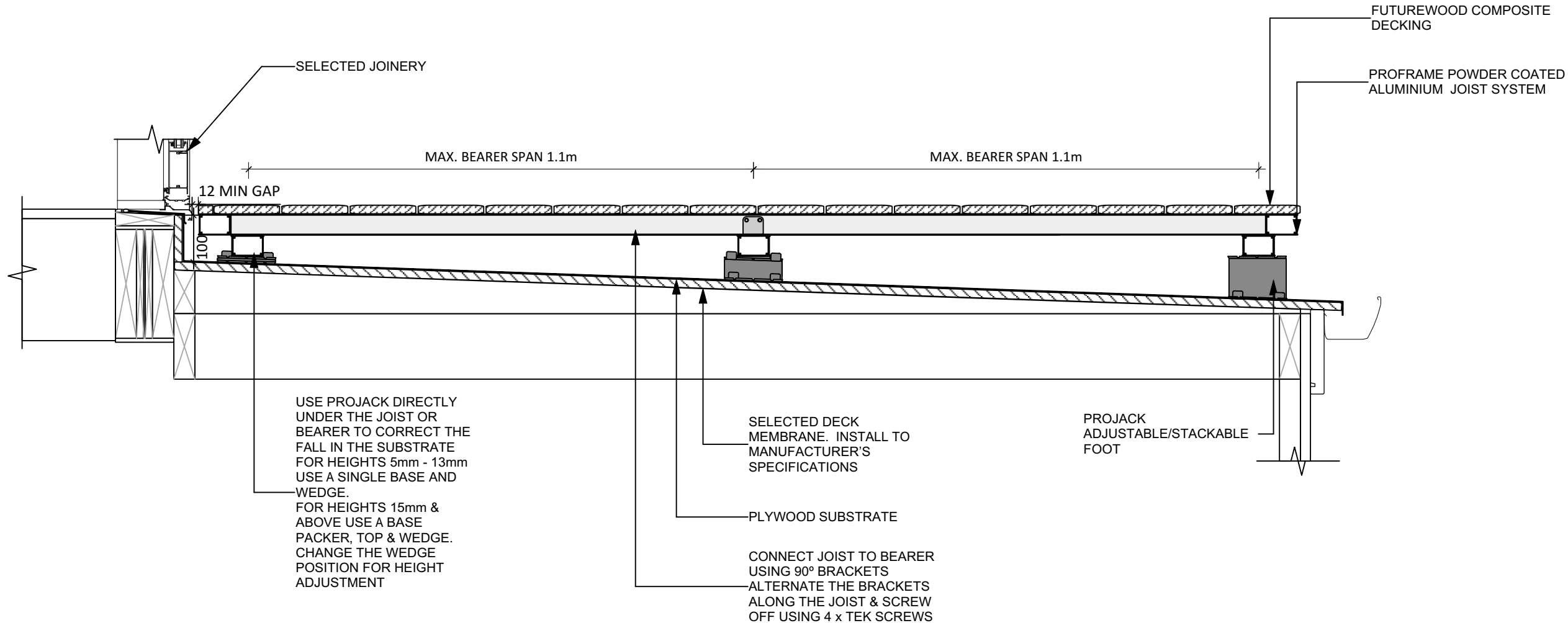
3D PERSPECTIVE - NTS



CROSS SECTION PARAPET WITH INTERNAL GUTTER



3D PERSPECTIVE - NTS



USE PROJACK DIRECTLY UNDER THE JOIST OR BEARER TO CORRECT THE FALL IN THE SUBSTRATE FOR HEIGHTS 5mm - 13mm USE A SINGLE BASE AND WEDGE. FOR HEIGHTS 15mm & ABOVE USE A BASE PACKER, TOP & WEDGE. CHANGE THE WEDGE POSITION FOR HEIGHT ADJUSTMENT

SELECTED DECK MEMBRANE. INSTALL TO MANUFACTURER'S SPECIFICATIONS

PLYWOOD SUBSTRATE

CONNECT JOIST TO BEARER USING 90° BRACKETS ALTERNATE THE BRACKETS ALONG THE JOIST & SCREW OFF USING 4 x TEK SCREWS

PROJACK ADJUSTABLE/STACKABLE FOOT

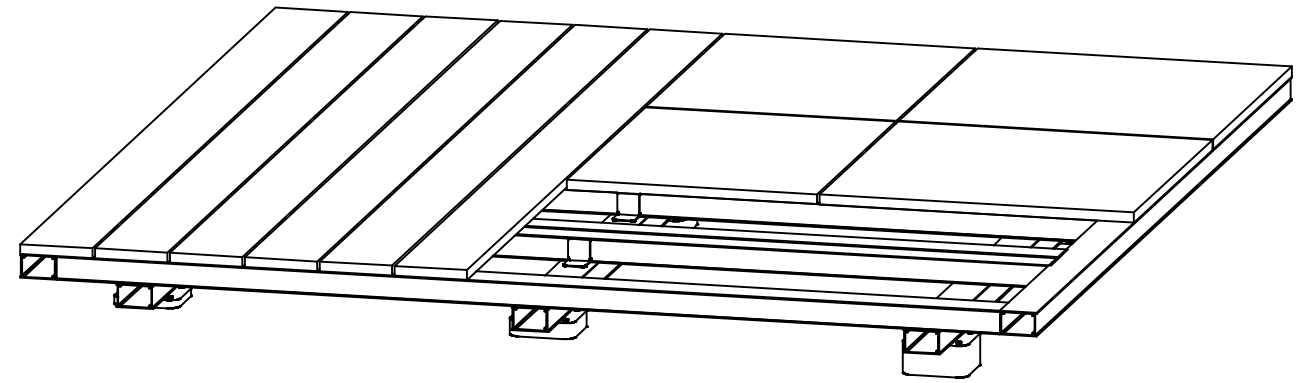
CROSS SECTION EXTERNAL GUTTER



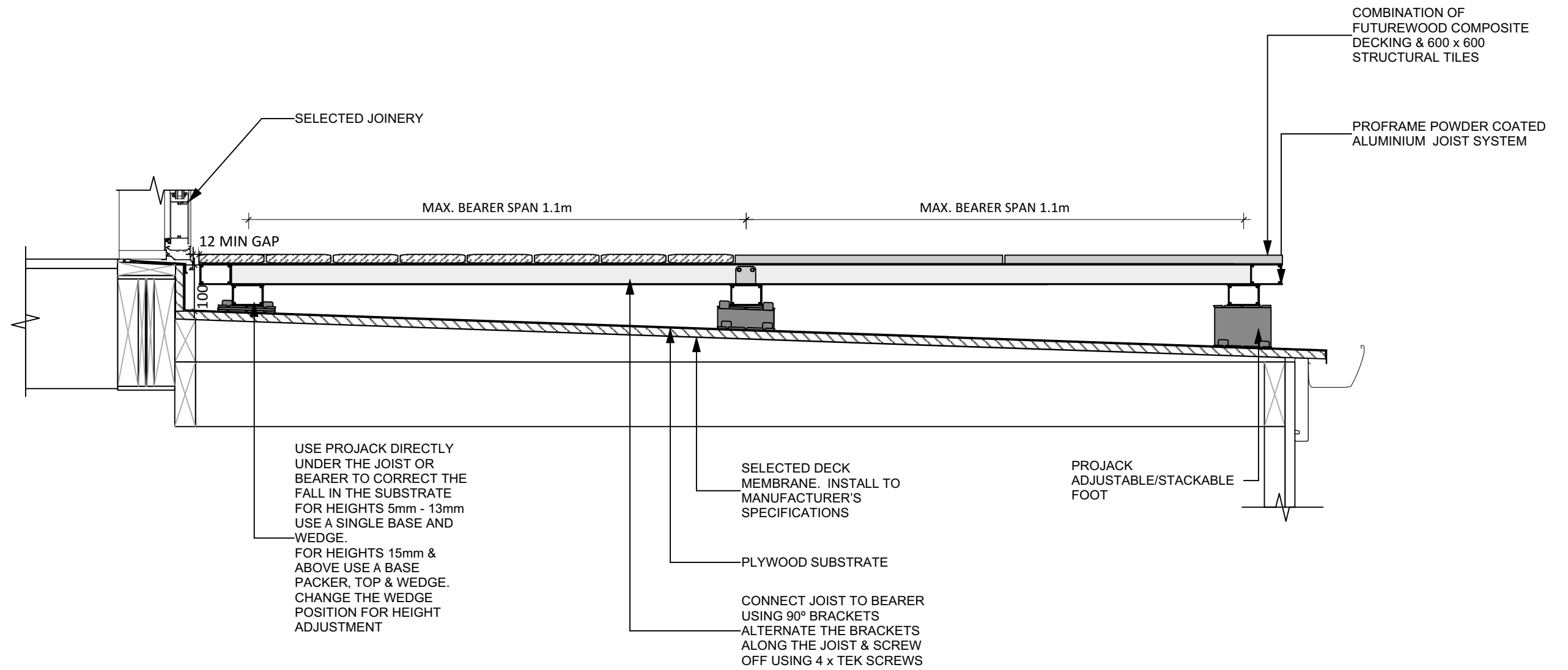
Proframe Limited
 www.proframe.co.nz
 info@proframe.co.nz
 +64 9 274825

PROFRAME SYSTEM ON DECK MEMBRANE WITH EXTERNAL GUTTER

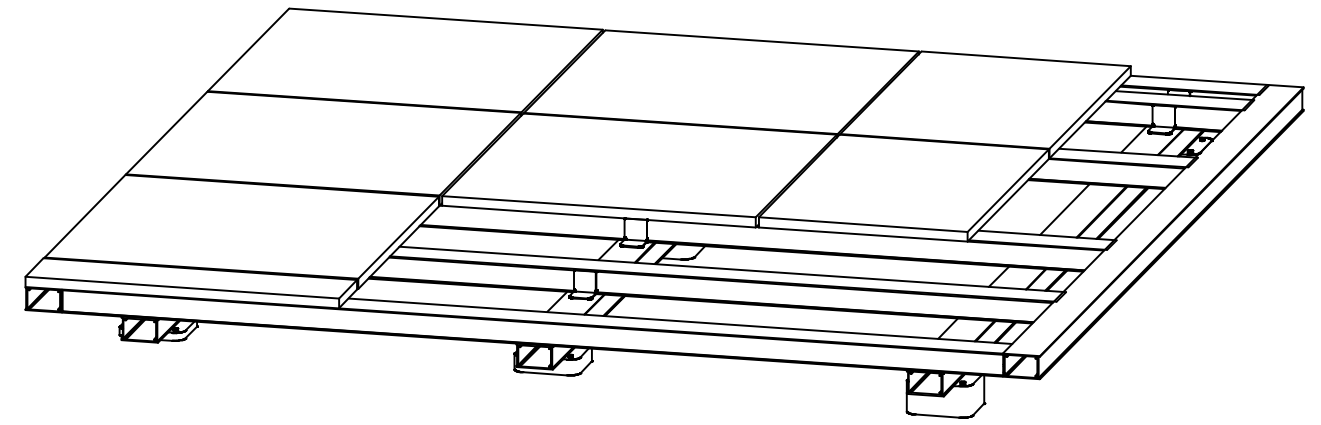
SHT:	00.1/D
SCALE:	
DATE:	



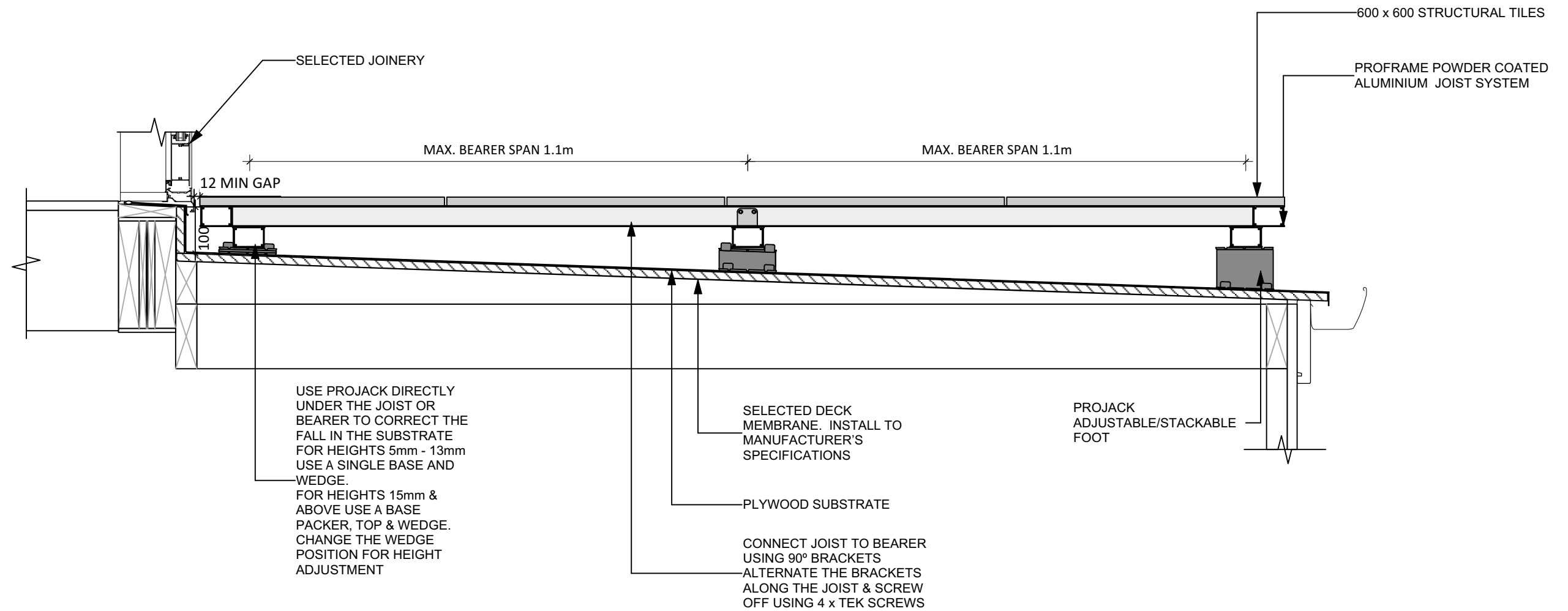
3D PERSPECTIVE - NTS



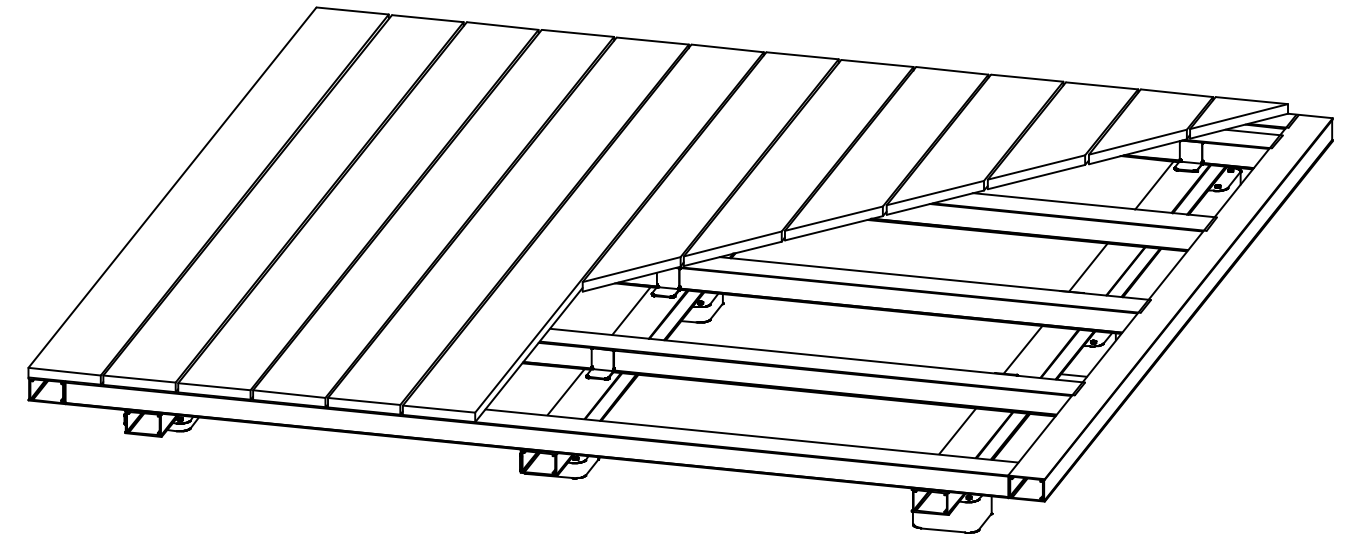
CROSS SECTION EXTERNAL GUTTER



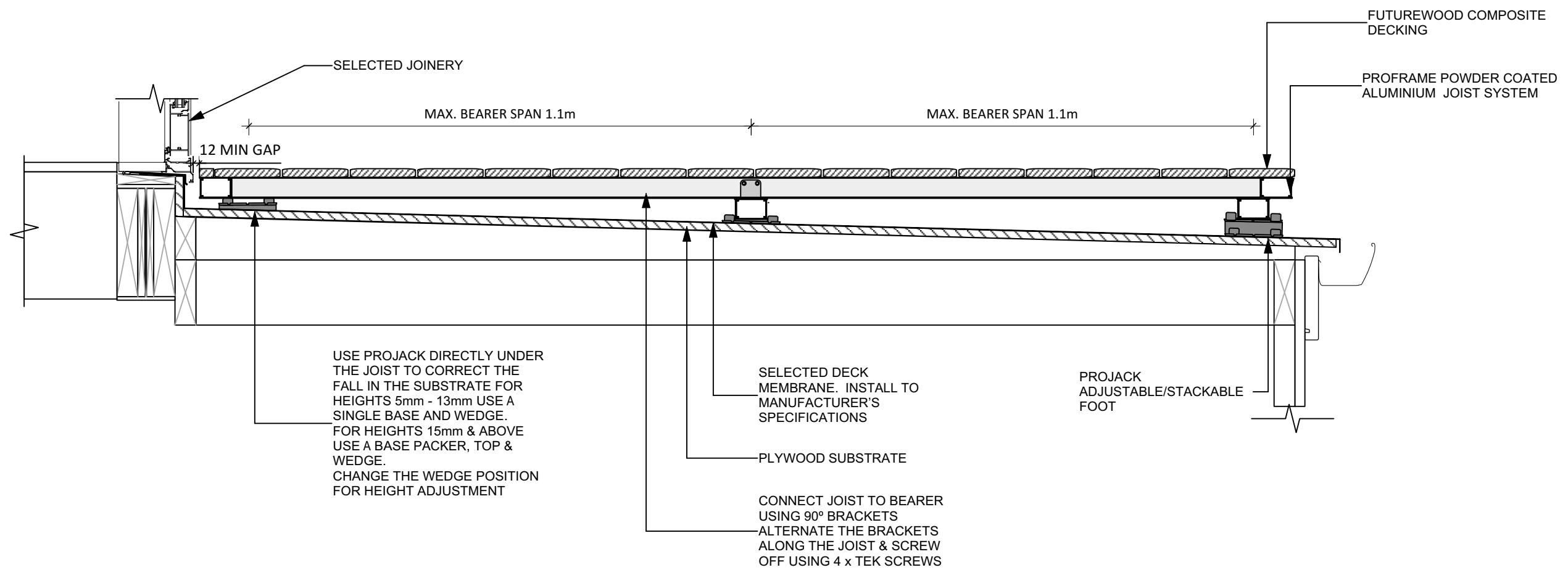
3D PERSPECTIVE - NTS



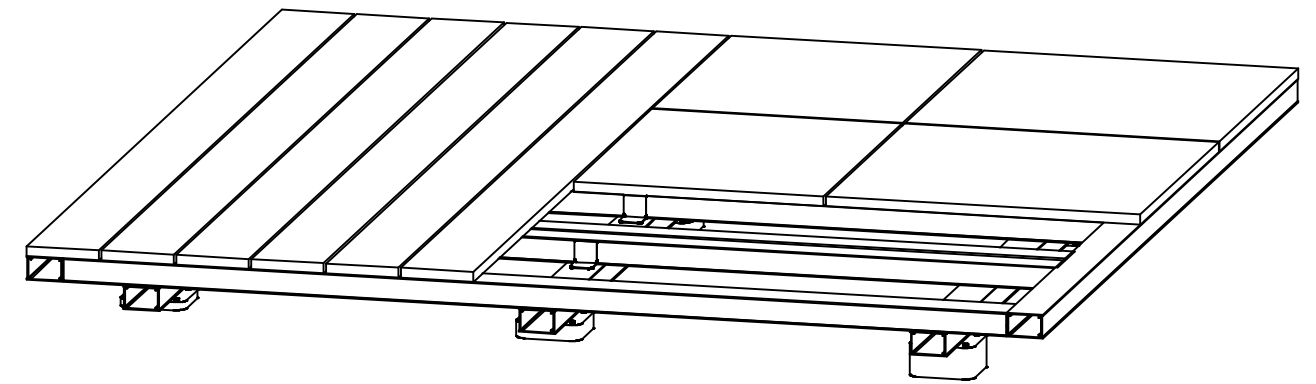
CROSS SECTION EXTERNAL GUTTER



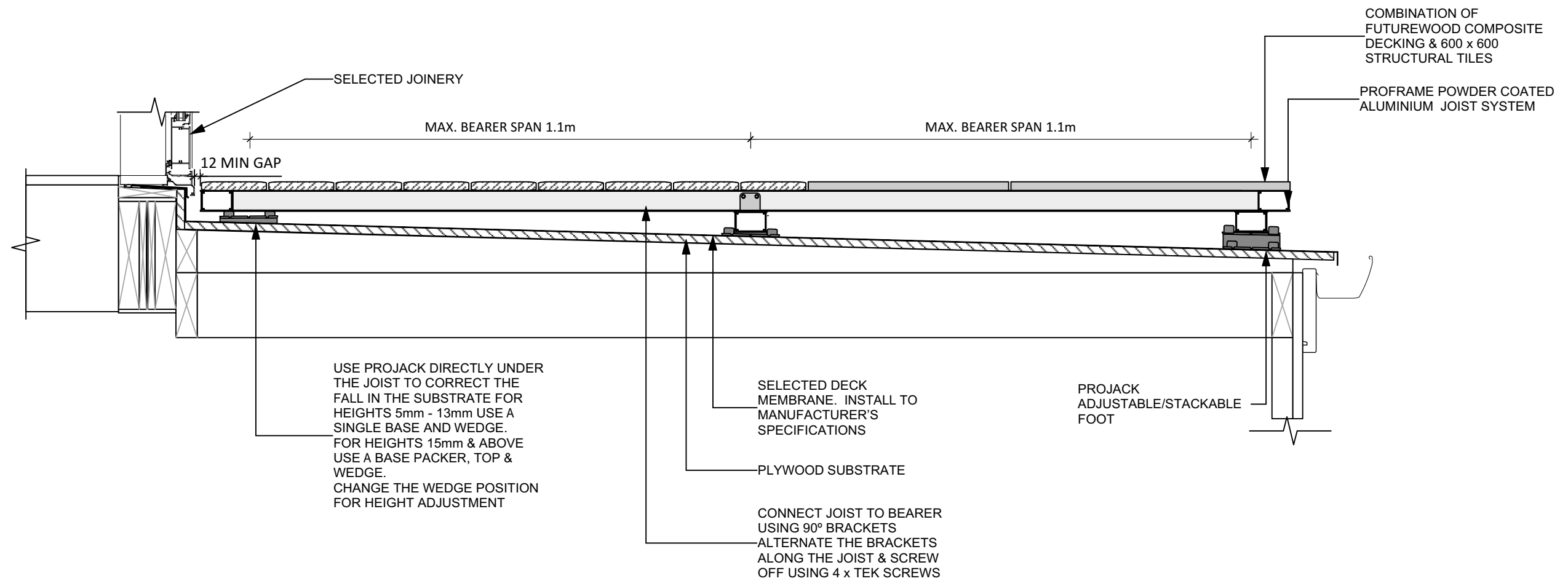
3D PERSPECTIVE - NTS



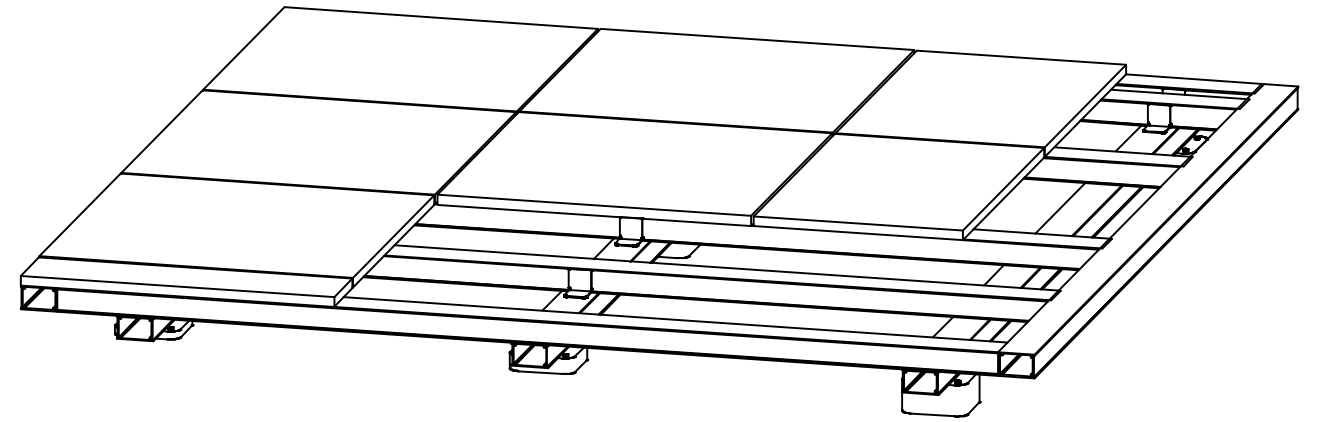
CROSS SECTION LOW HEIGHT EXTERNAL GUTTER



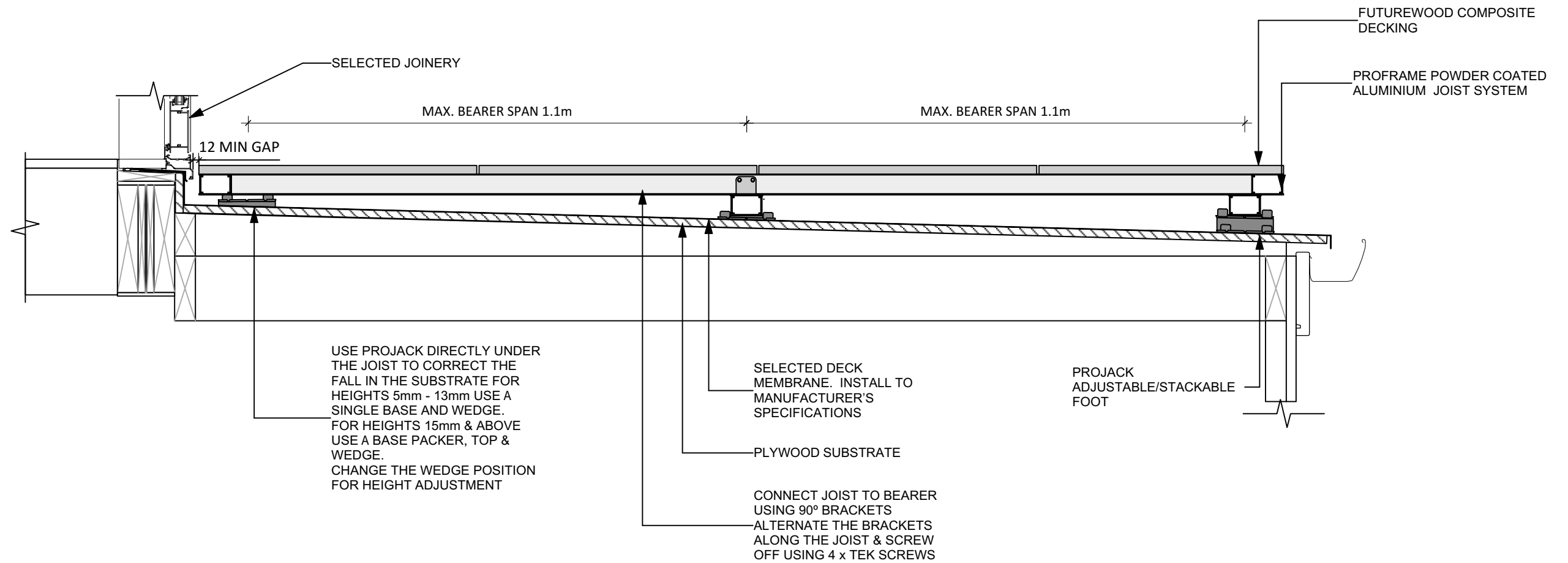
3D PERSPECTIVE - NTS



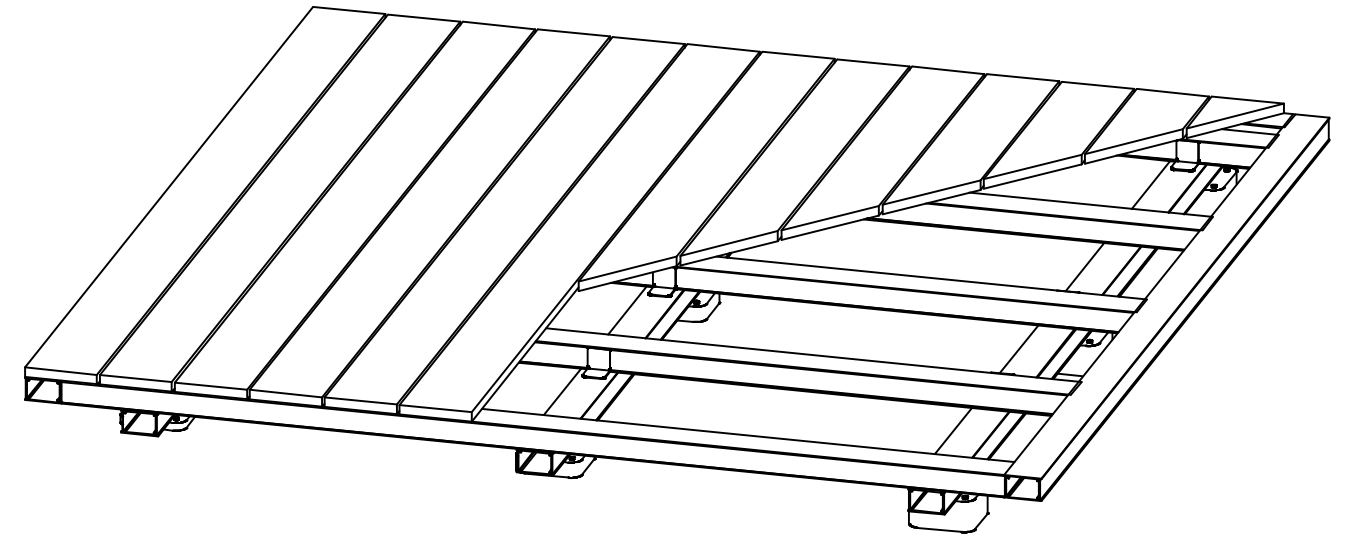
CROSS SECTION LOW HEIGHT EXTERNAL GUTTER



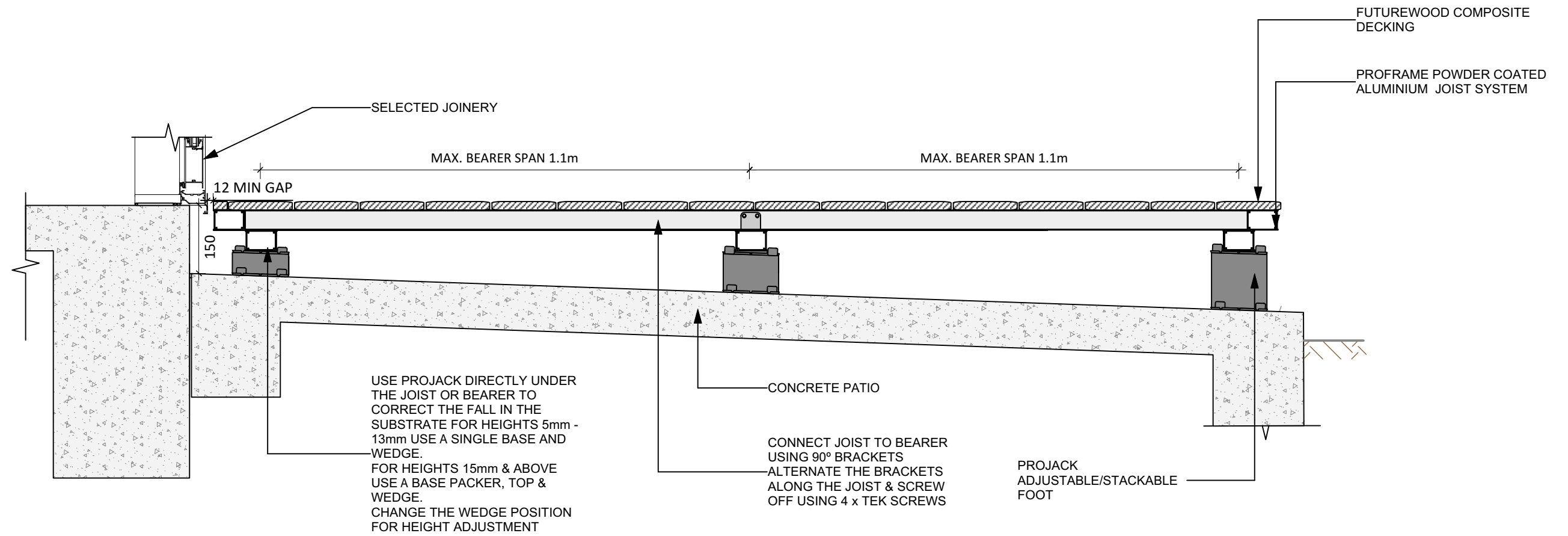
3D PERSPECTIVE - NTS



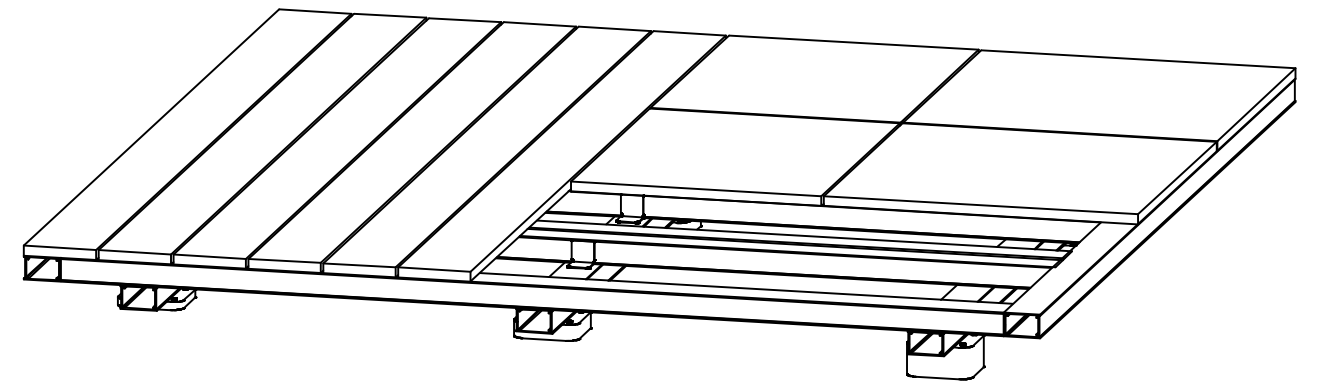
CROSS SECTION LOW HEIGHT EXTERNAL GUTTER



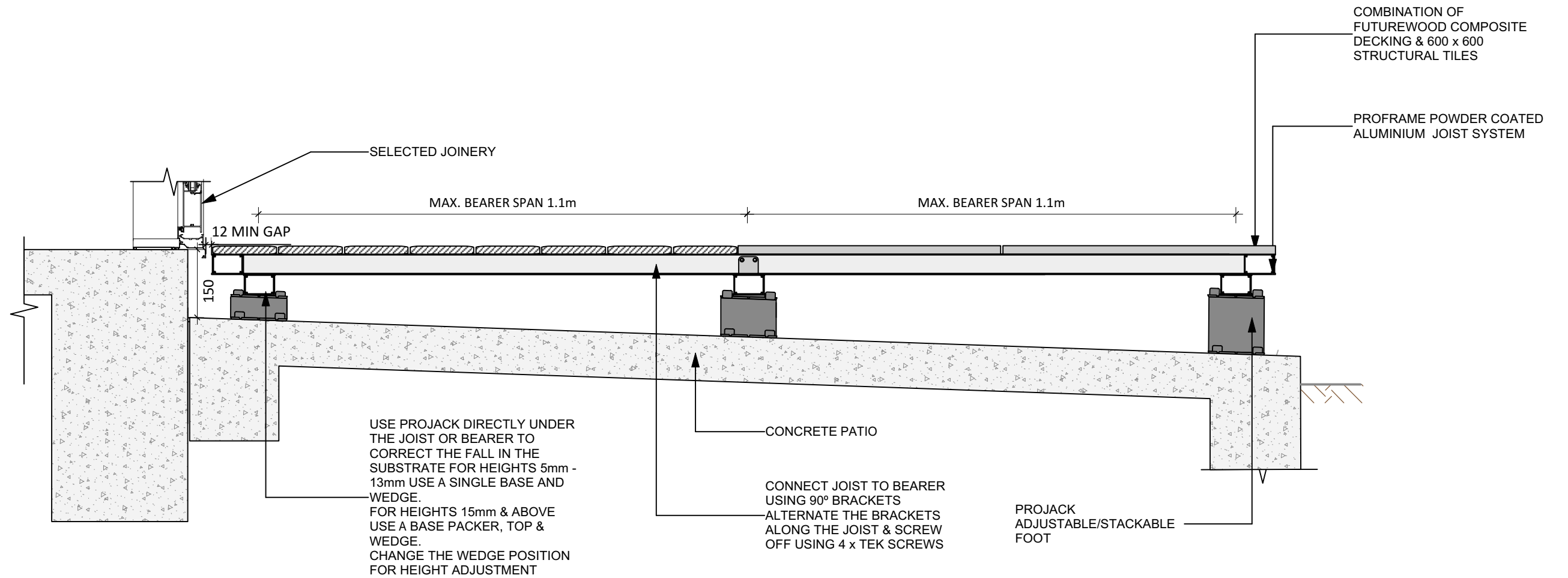
3D PERSPECTIVE - NTS



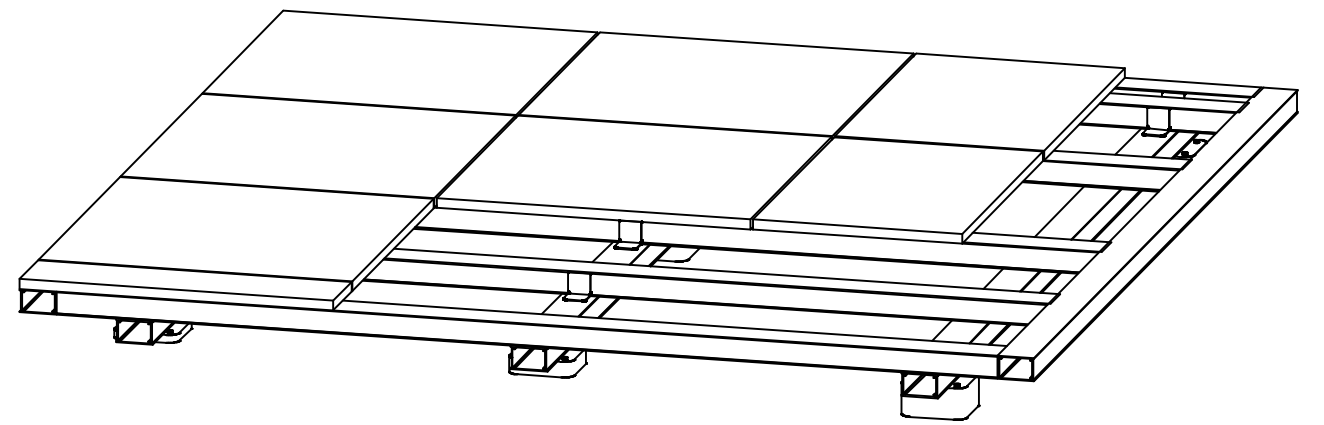
CROSS SECTION CONCRETE PATIO



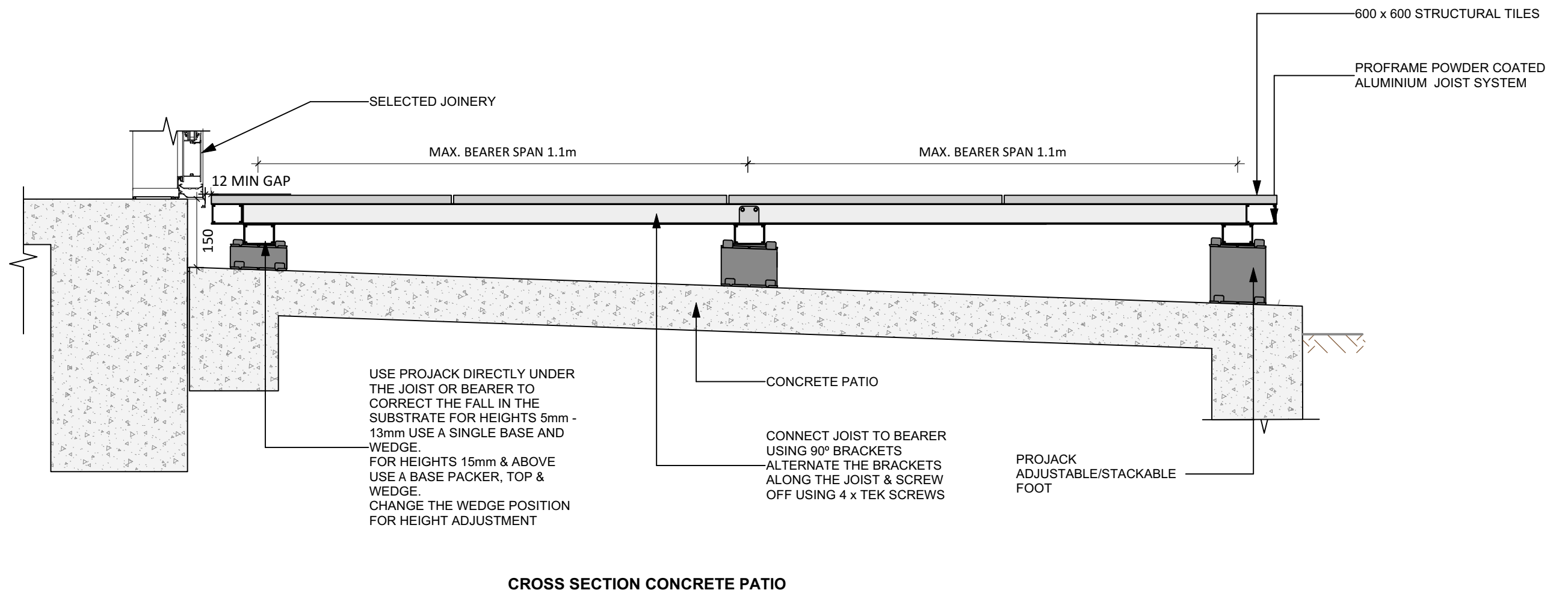
3D PERSPECTIVE - NTS

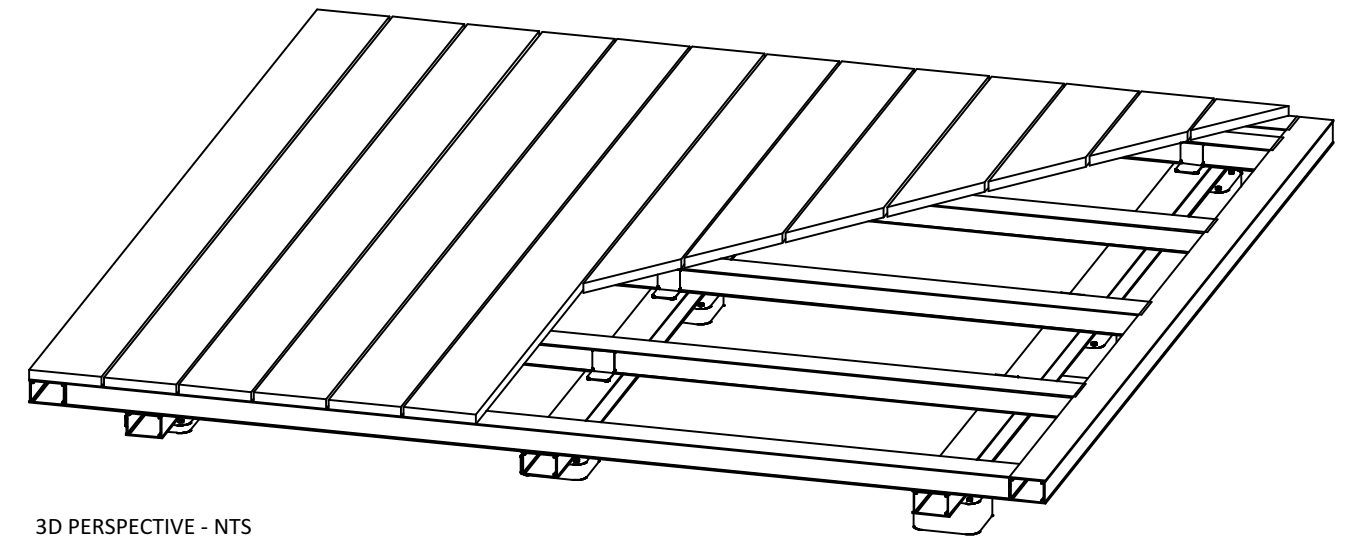


CROSS SECTION CONCRETE PATIO

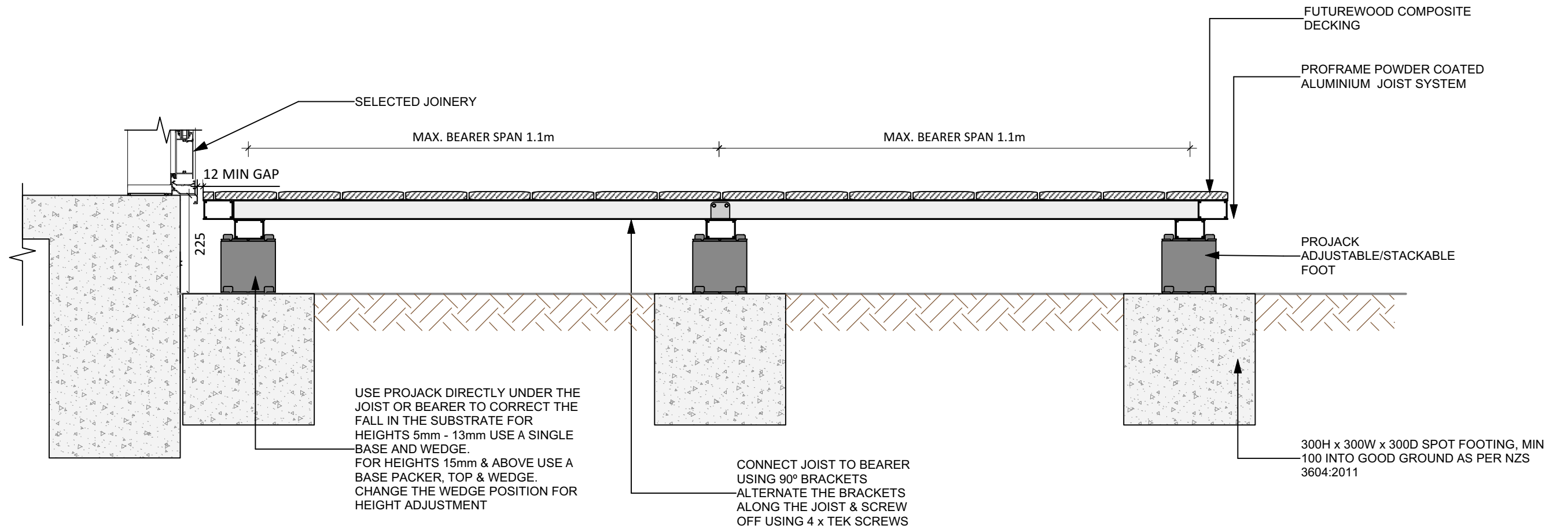


3D PERSPECTIVE - NTS

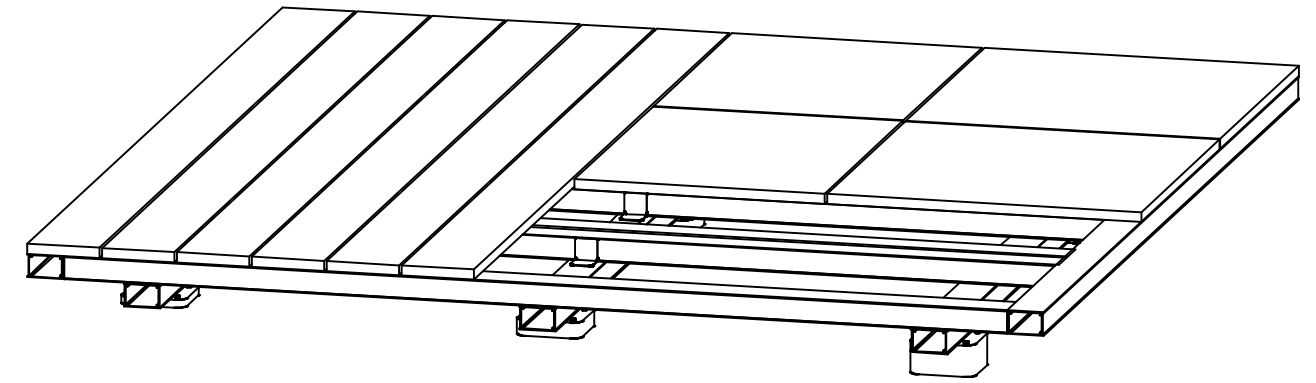




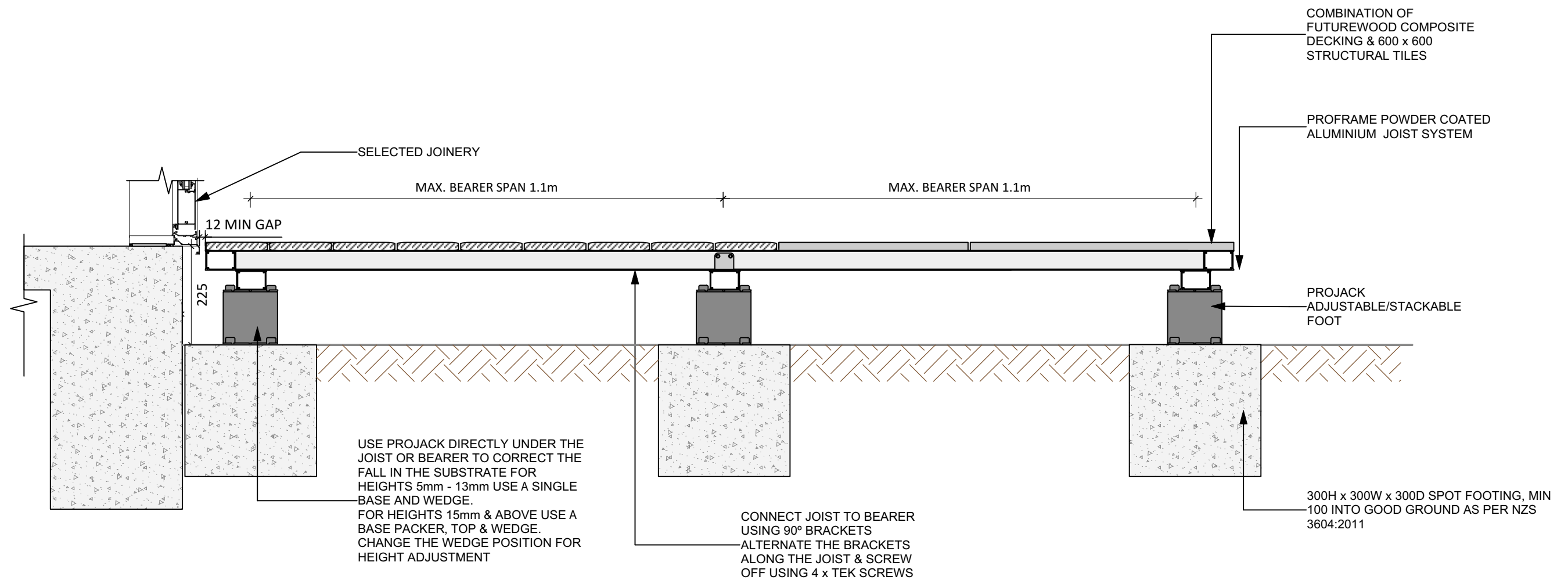
3D PERSPECTIVE - NTS



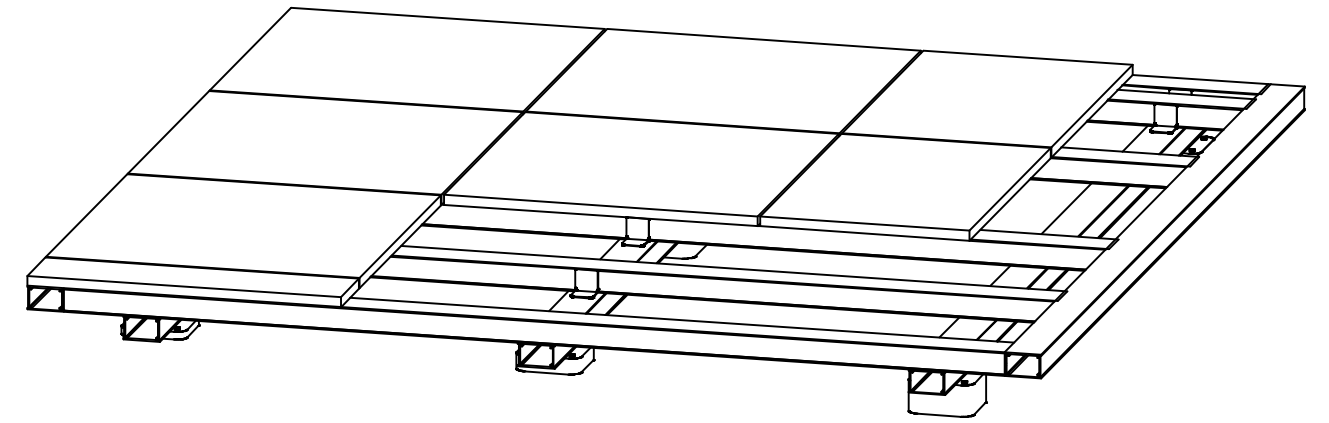
CROSS SECTION SPOT FOOTINGS ON SOIL



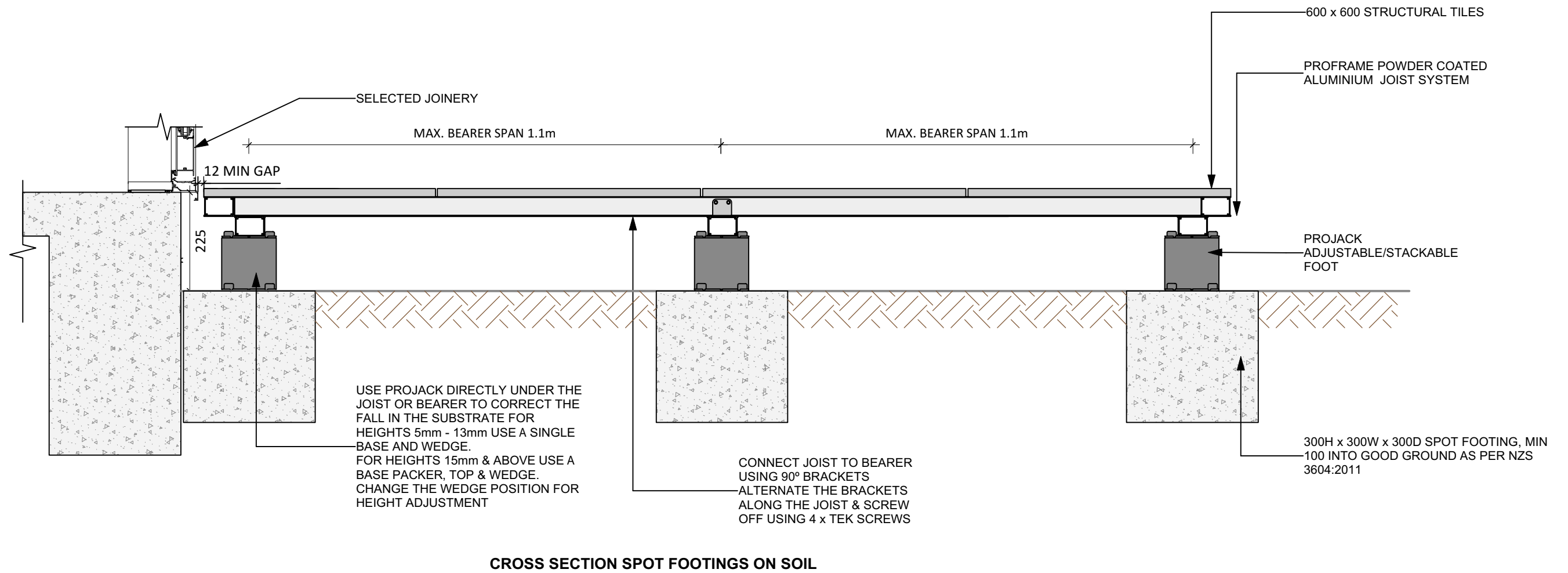
3D PERSPECTIVE - NTS

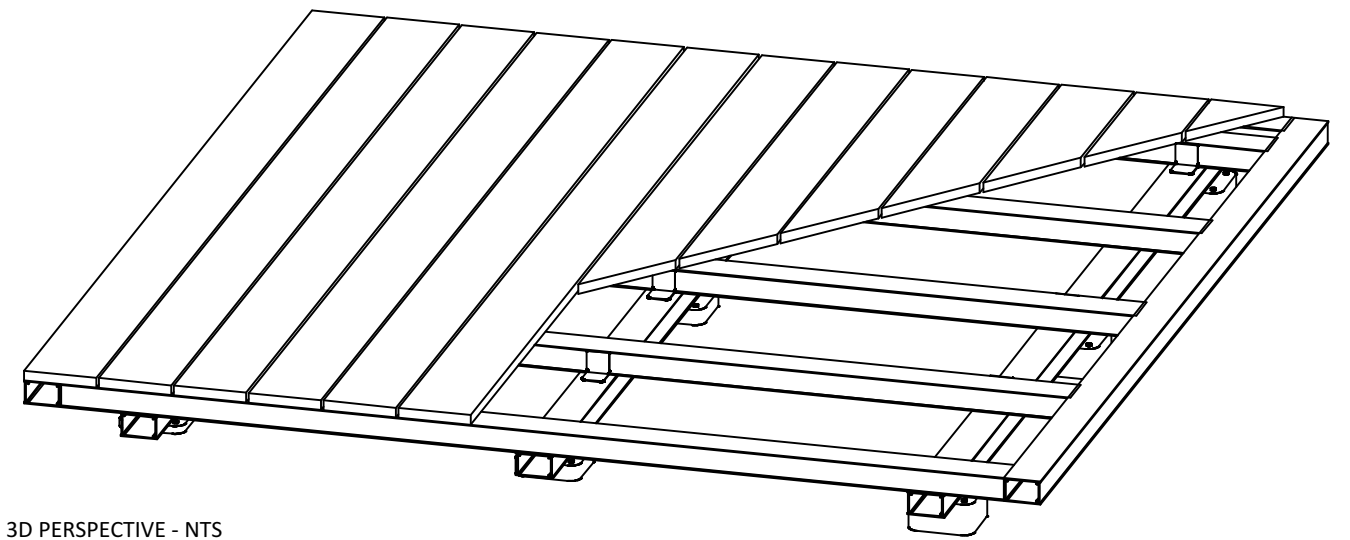


CROSS SECTION SPOT FOOTINGS ON SOIL

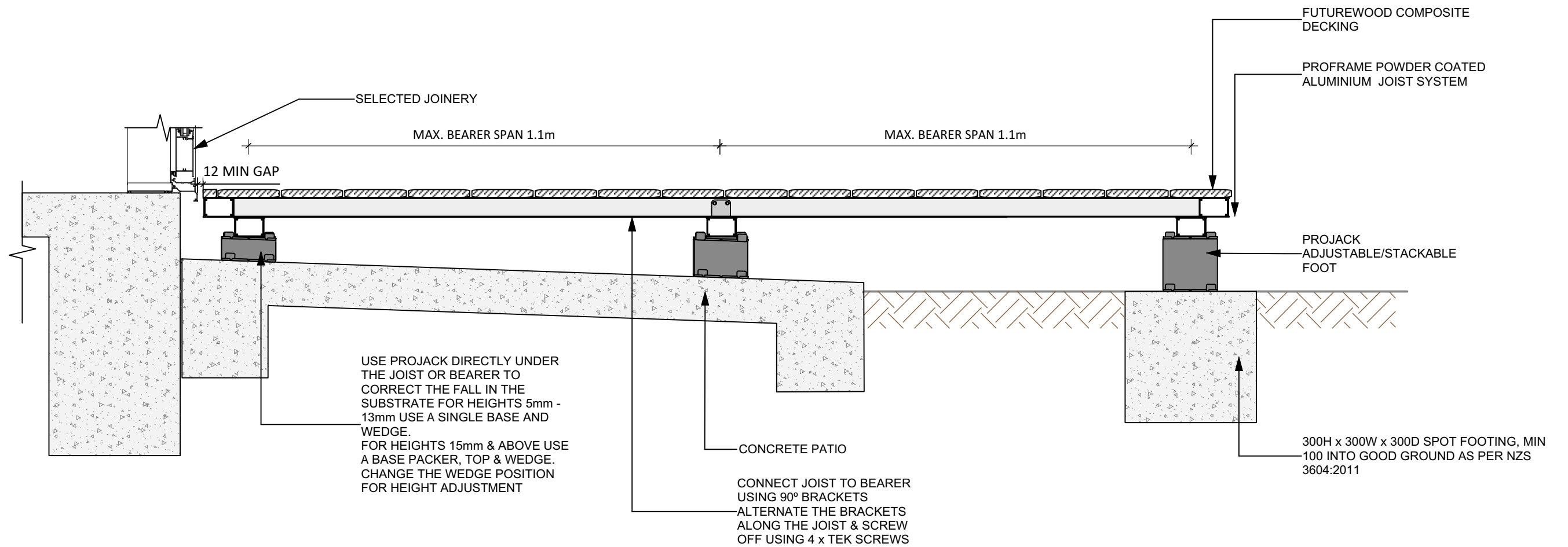


3D PERSPECTIVE - NTS

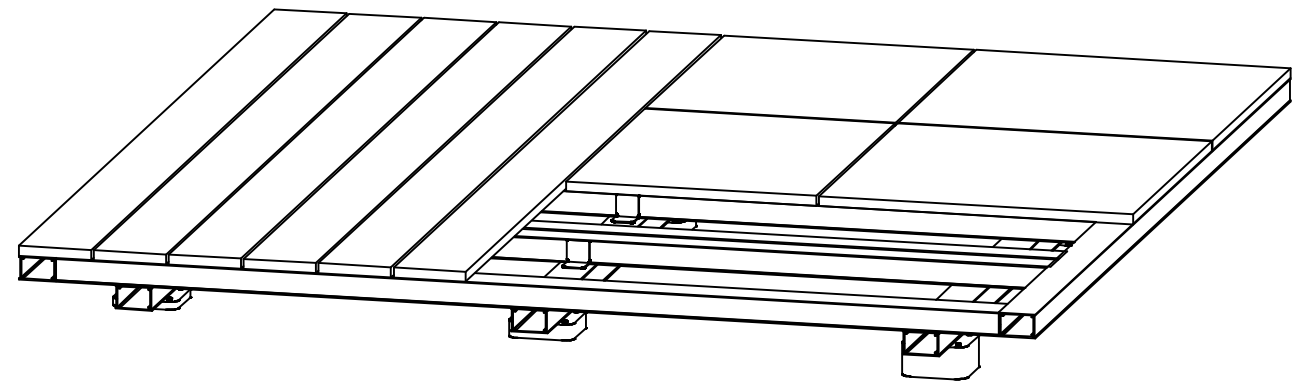




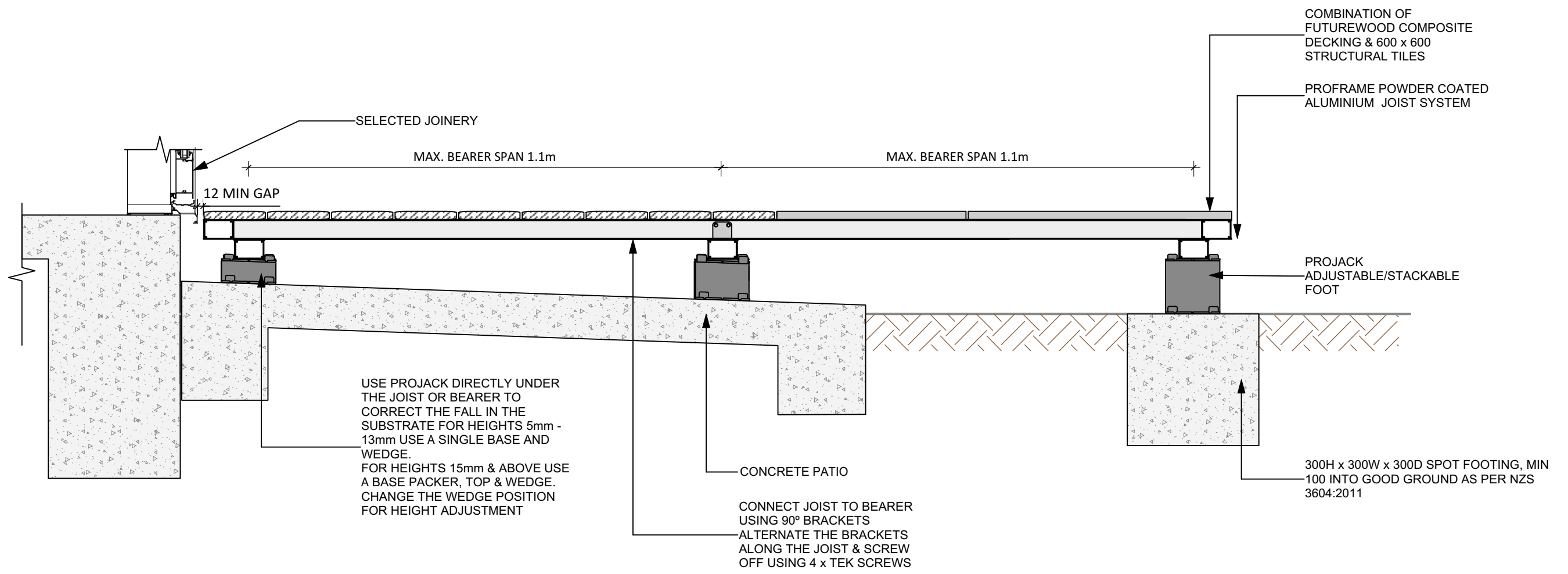
3D PERSPECTIVE - NTS



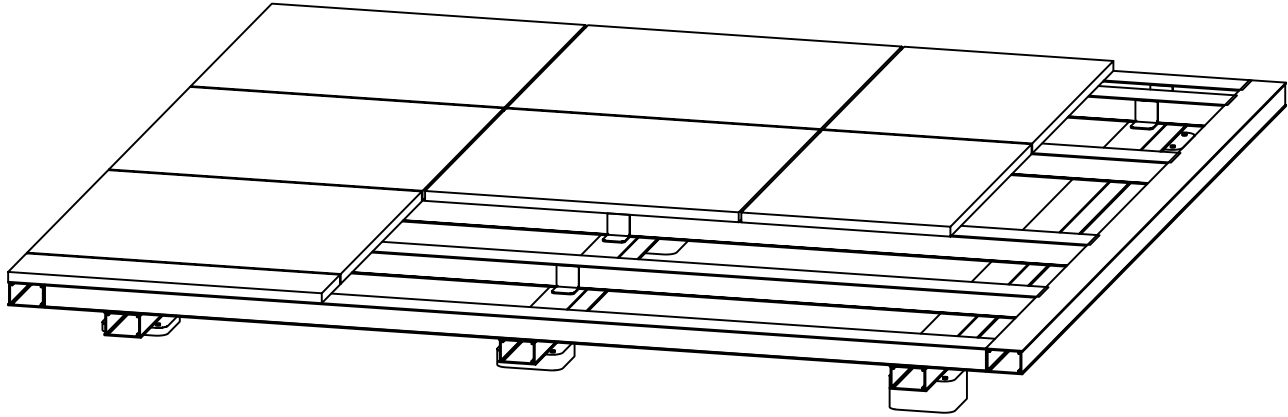
CROSS SECTION CONCRETE PATIO & SPOT FOOTING



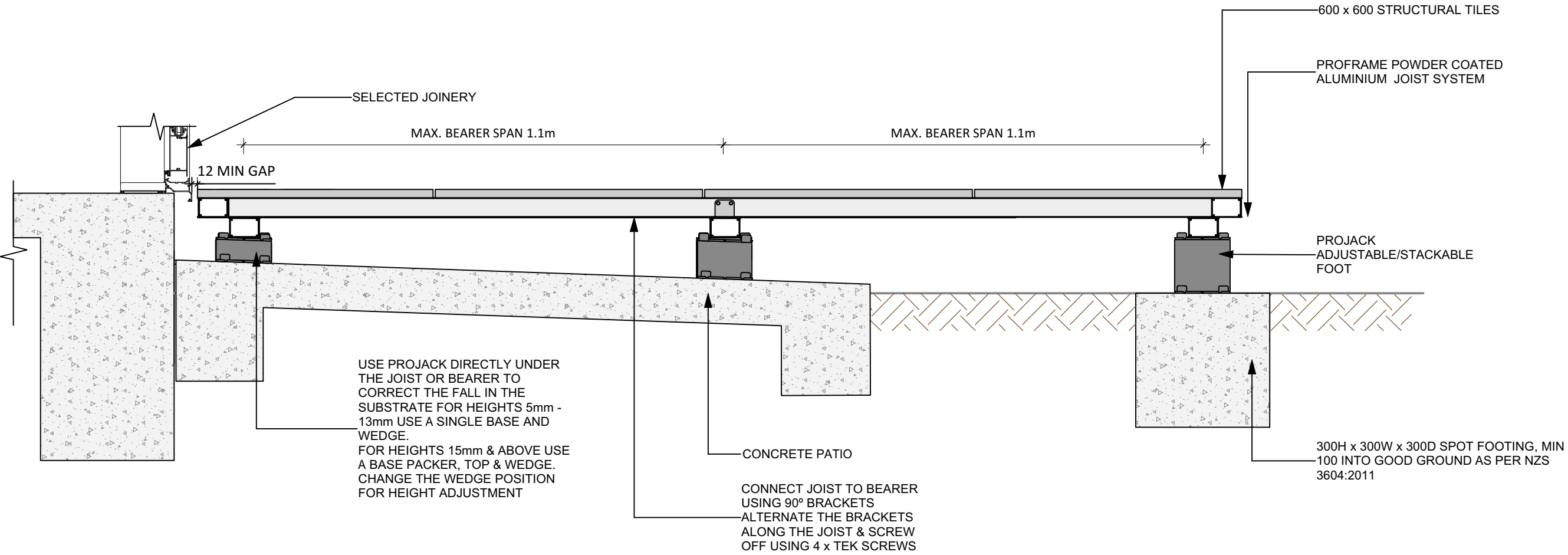
3D PERSPECTIVE - NTS



CROSS SECTION CONCRETE PATIO & SPOT FOOTING



3D PERSPECTIVE - NTS



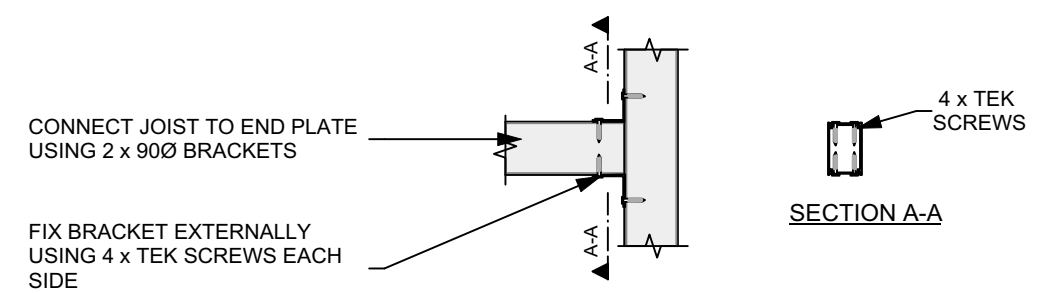
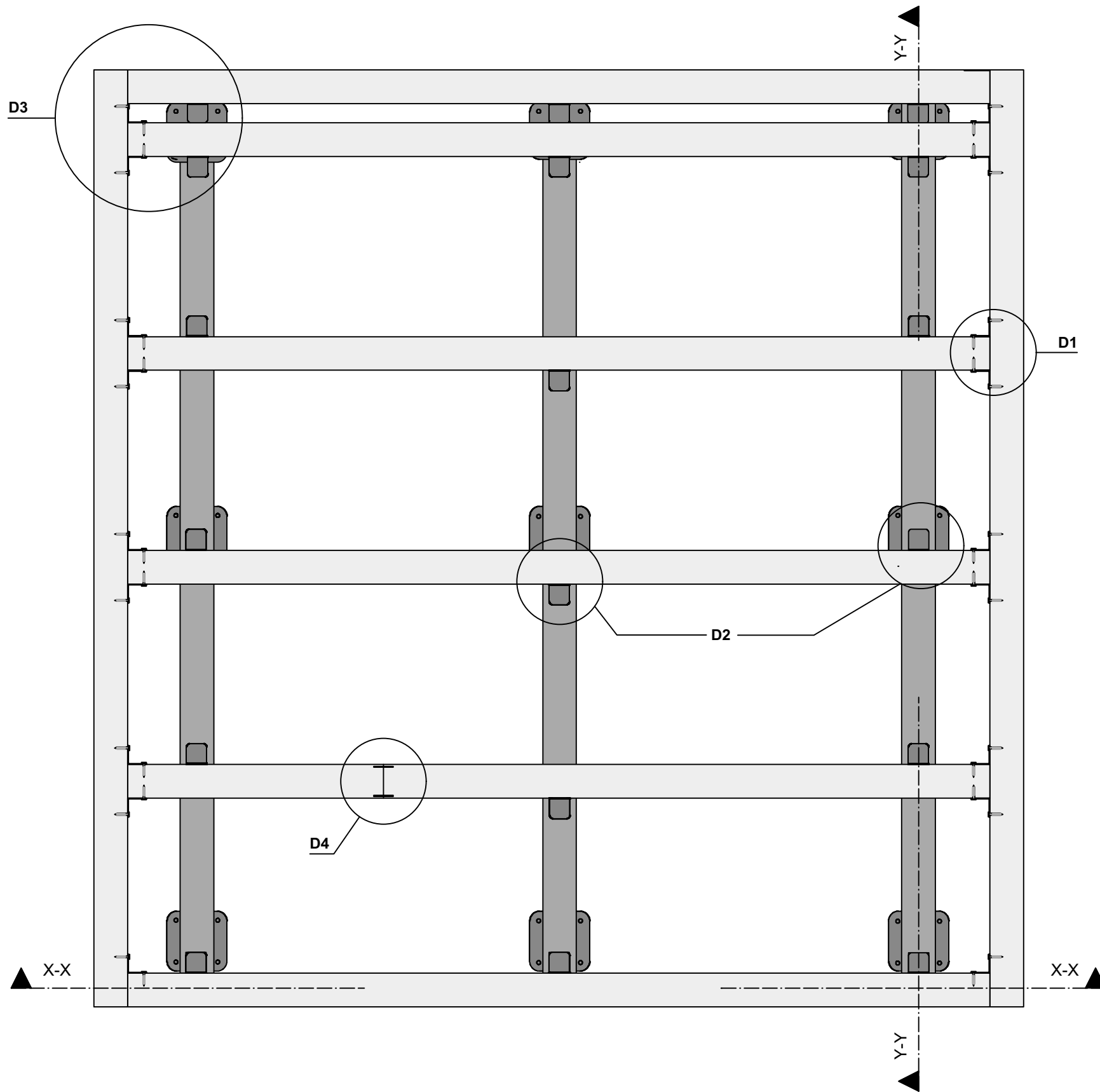
CROSS SECTION CONCRETE PATIO & SPOT FOOTING



Proframe Limited
 www.proframe.co.nz
 info@proframe.co.nz
 +64 9 274825

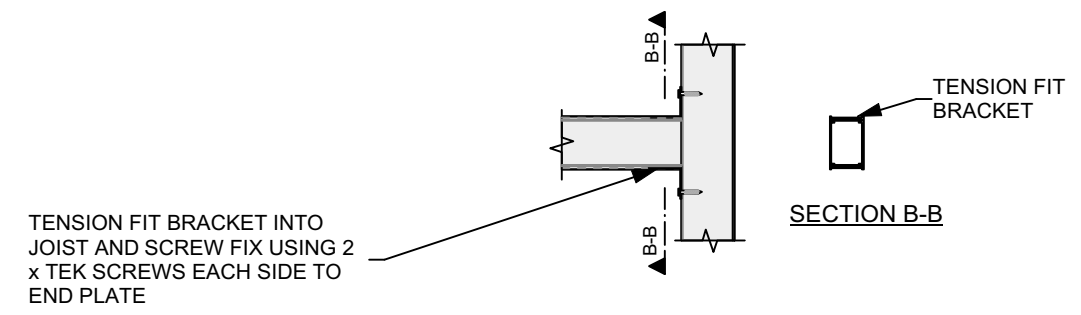
PROFRAME SYSTEM ON CONCRETE & SPOT FOOTING

SHT:	00.5/T
SCALE:	
DATE:	

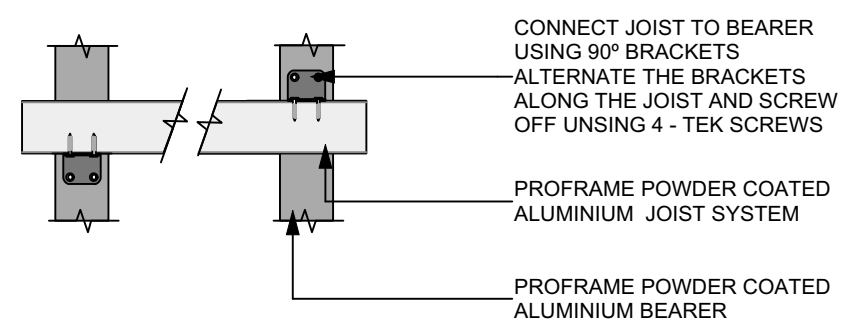


OPTION A
BRACKETS FIXED EXTERNALLY

OR



OPTION B
BRACKETS FIXED INTERNALLY



D2 PROFRAME JOIST TO BEARER FIXING

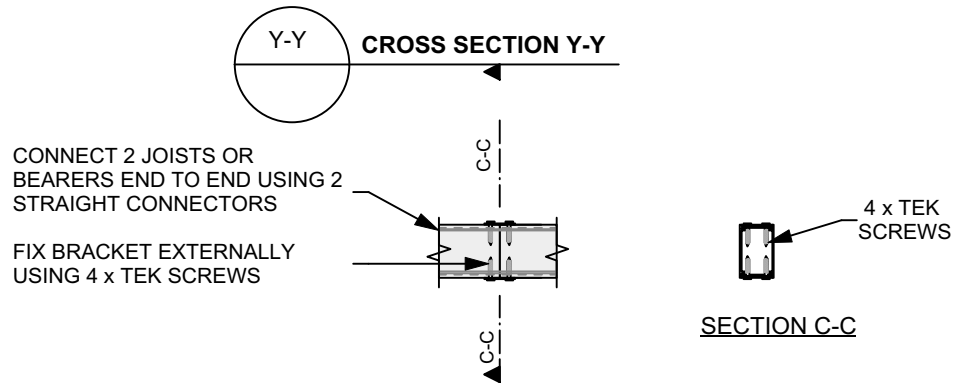
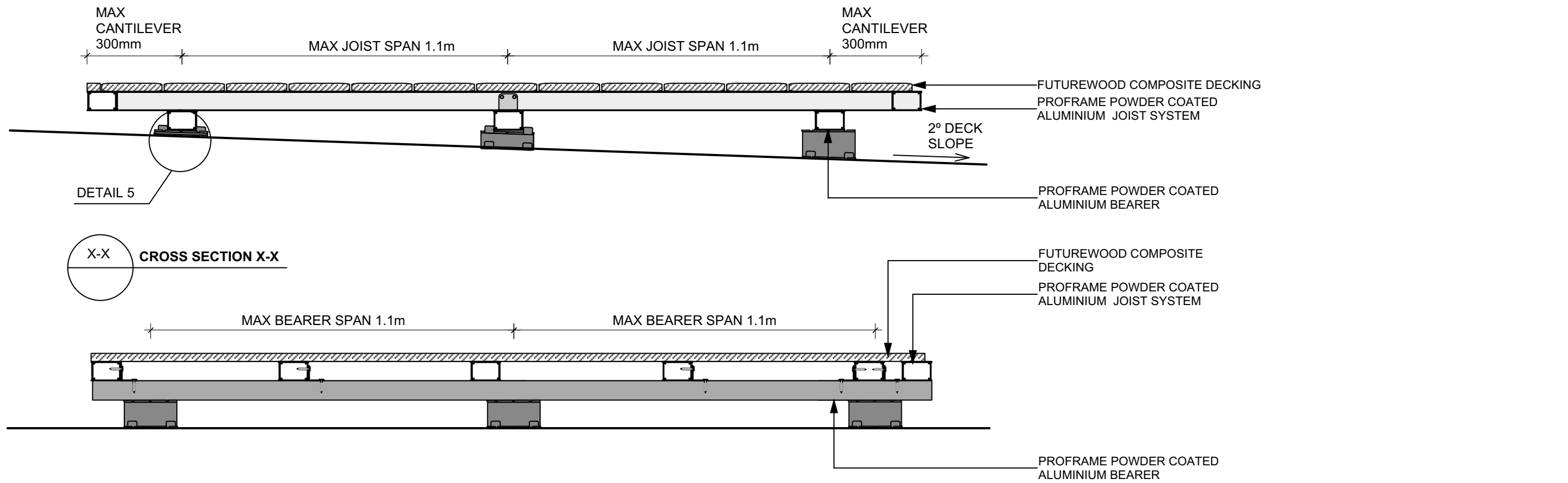
PROFRAME ALUMINIUM DECK FRAME
 PLAN VIEW



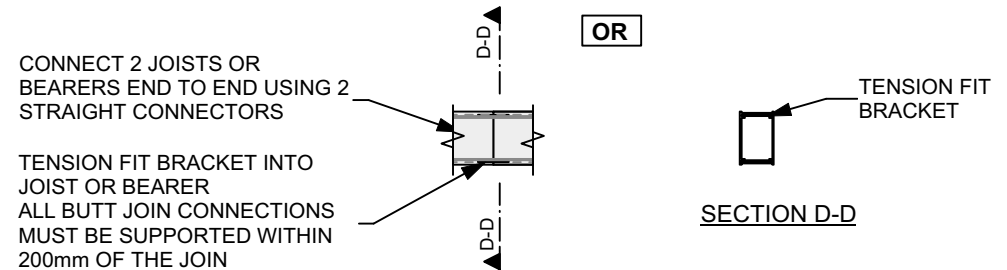
Proframe Limited
 www.proframe.co.nz
 info@proframe.co.nz
 +64 9 274825

PROFRAME ALUMINIUM DECK FRAME - PLAN VIEW

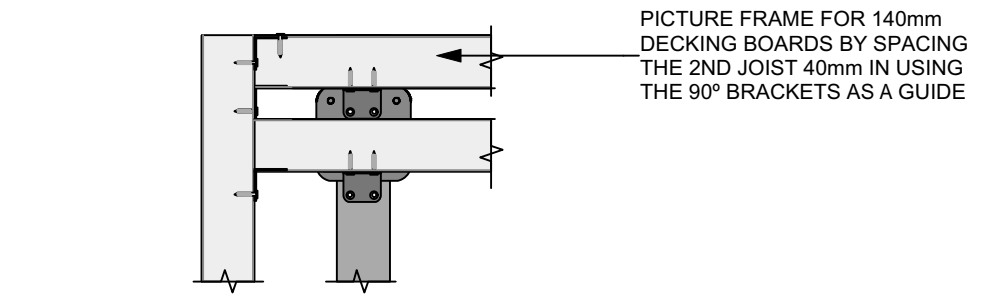
SHT:	00.6
SCALE:	
DATE:	



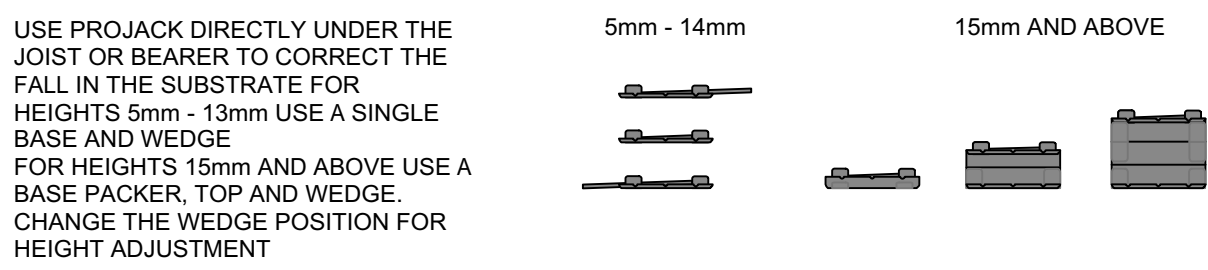
D4 OPTION A PROFRAME JOIST & BEARER CONNECTIONS



D4 OPTION B PROFRAME JOIST & BEARER CONNECTIONS



D3 PROFRAME JOIST SPACING FOR DECKING BOARDS



D5 PROJACK STACKER HEIGHTS