

Plank Specification Sheet

Artiste Collection Engineered T&G plank by Forté.
19mm thick, 250mm wide, in 2.5m plank lengths. Direct stick installation method onto substrate. Pre-finished with UV Cured Matte Lacquer.

PRODUCT DETAILS

Collection	Artiste Grande
Product Type	Engineered Plank
Availability	Custom Order
Total Thickness	19mm
Width	250mm
Length	2500mm
% of Shorts	Up to 25%
Wear Layer	5mm Solid Smoked European Oak* (may vary depending on surface effects)
Core	Birch Plywood
Construction	14mm Engineered Core + 5mm Solid Smoked Oak wear layer*
Re-sands	Approximately 4-5 (approx. 1mm removed per re-sand)
Surface Texture	Undulating surface, occasional saw-markings
Surface Sheen	Extra Matte
Bevel	Micro-bevel 4 sides
Status	Pre-finished (no additional coats required)
Finish	UV Cured Lacquer
Species	Smoked European Oak* (refer page 2 for details)
Wood Grade	Rustic (refer page 2 for details)
Filler colour	Dependant on colour, visit forte.co.nz for accurate filler colour

The Artiste Grande Collection is also available in: 250mm planks, Herringbone and Chevron patterns.

**Da Vinci, Van Gogh and Vermeer are Smoked European Oak. Picasso is European Oak (but has not been smoked).*

SUSTAINABILITY

Sustainably Sourced



Picasso



Da Vinci



Van Gogh



Vermeer

STRUCTURAL WARRANTY

10 Year Commercial	For terms and conditions see
25 Year Residential	www.forte.co.nz/warranties

INSTALLATION

Installation Method	Directly Stick / Glue Down (Double Stick for Multi-level)
Suitable Substrates	Plywood, Particle Board, Concrete, existing timber - enquire for others
Joint Profile	Tongue and Groove (4 sides)
Suitable Applications	Flooring, Walls, Ceilings
Suitable Uses	Residential homes, hospitality, retail stores, restaurants, apartments
Underfloor Heating	Awaiting test results
Wet Area Suitability	Contact the Forté team for information 0508 35 66 77

TECHNICAL SPECIFICATIONS

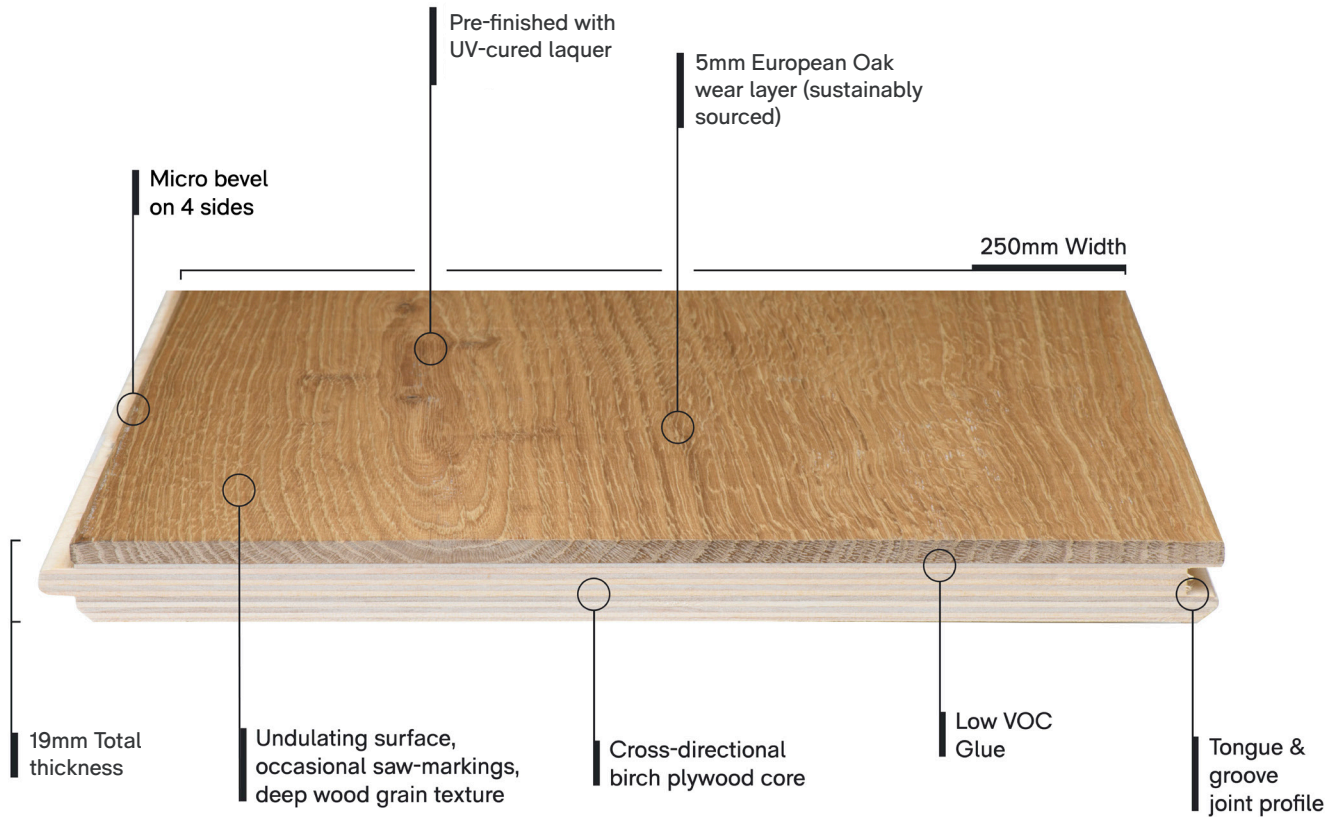
Reaction to Fire (Floors)	Critical Flux 2.2kw/m ² (generic)
Reaction to Fire (Walls and Ceilings)	Group 3 / Class Dfl-s1
Wear Layer Density	700kg/m ³
Formaldehyde Emission	
AS/NZS 2098.11	E0 (0.12mg/L) & CARB-2 Compliant No added Formaldehyde
Slip Ratings	
AS/NZS 4586 Dry Test	Classification F, Mean COF 0.65
AS/NZS 4586 Wet Test	Classification X, Pendulum Mean 42 BPN

PACK INFORMATION

Pack Size	2.411m ²
Pieces per pack	3 full planks, and up to 1 split plank
Pack Weight	72kg

Plank Profile

ARTISTE GRANDE PLANK



ARTISTE GRANDE – RUSTIC GRADE



An Artiste Grande, rustic grade plank will typically contain natural colour variation. This grade allows for more frequent, larger knots and sapwood may be expected throughout the planks. Larger cracks and checks will be present and are finished with a dark shade of filler.

SMOKED EUROPEAN OAK



Smoked or fumed timber has been treated to alter the colour depth and tonal variation of the wood. To find out more, visit forte.co.nz/advice/what-is-smoked-timber

Care and Maintenance

RESIDENTIAL AND COMMERCIAL CARE AND MAINTENANCE

Forté's Product Specialists have collated our care and maintenance recommendations to ensure your flooring looks like new for years to come. Residential and Commercial projects require different levels of care and maintenance. Visit www.forte.co.nz/careandmaintenance

Structural Warranty

ARTISTE GRANDE 25 YEAR RESIDENTIAL STRUCTURAL WARRANTY

The Artiste Collection comes with a full 25 year Residential Structural Warranty. For full warranty terms and conditions, please visit www.forte.co.nz/warranties

ARTISTE GRANDE 10 YEAR COMMERCIAL STRUCTURAL WARRANTY

The Artiste Collection comes with a full 10 year Commercial Structural Warranty. For full warranty terms and conditions, please visit www.forte.co.nz/warranties

Installation

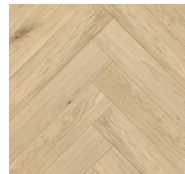
THE ARTISTE GRANDE COLLECTION MUST BE INSTALLED BY A TRAINED PROFESSIONAL

Please ensure that you have read and understood the installation guidelines before proceeding to install Artiste Grande timber flooring. If you have any questions or concerns, please call the Forté technical team on 0508 35 66 77. Failure to adhere to the Forté Installation Guidelines may void your warranty.

For full installation guidelines, please visit www.forte.co.nz/installation

HERRINGBONE SPECIFICATION SHEET

Artiste Collection Engineered T&G Herringbone Plank by Forté. 19mm thick, 120mm wide, in 720mm plank lengths. Direct stick installation method onto substrate. Pre-finished with UV Cured Matte Lacquer



Picasso



Da Vinci



Van Gogh



Vermeer

PRODUCT DETAILS

Collection	Artiste Grande
Product Type	Engineered Herringbone Plank
Availability	Custom Order
Total Thickness	19mm
Width	120mm
Length	720mm
Wear Layer	5mm Solid Smoked European Oak* (may vary depending on surface effects)
Core	Birch Plywood
Construction	14mm Engineered Core + 5mm Solid Smoked Oak wear layer*
Re-sands	4-5 (approx. 1mm removed per re-sand)
Surface Texture	Deep Wood Grain
Surface Sheen	Extra Matte
Bevel	Micro bevel 4 sides
Status	Pre-finished (no additional coats required)
Finish	UV Cured Lacquer
Species	European Oak
Wood Grade	Rustic
Filler Colour	Dependant on colour, visit forte.co.nz for accurate filler colour

The Artiste Grande Collection is also available in: 250mm planks and Chevron pattern.

**Da Vinci, Van Gogh and Vermeer are Smoked European Oak. Picasso is European Oak (but has not been smoked).*

PACK INFORMATION

Pack Size	1.44m ²
Pieces per pack	20 Pieces (10x left, 10x right)
Pack Weight	9.66kg

INSTALLATION

Installation Method	Directly Stick / Glue Down (Double Stick for Multi-level)
Suitable Substrates	Plywood, Particle Board, Concrete, existing timber - enquire for others
Joint Profile	Tongue and Groove (4 sides)
Suitable Applications	Flooring, Walls, Ceilings
Suitable Uses	Residential homes, hospitality, retail stores, restaurants, apartments
Underfloor Heating	Awaiting test results
Wet Area Suitability	Contact the Forté team for information 0508 35 66 77

TECHNICAL SPECIFICATIONS

Reaction to Fire (Floors)	Critical Flux 5.0kw/m ²
Reaction to Fire (Walls and Ceilings)	Group 3 / Class Dfl-s1 (Group 1 can be achieved with intumescent coating)
Wear Layer Density	700kg/m ³
Formaldehyde Emission	
AS/NZS 2098.11	E0 (0.12mg/L) Low VOC, No added Formaldehyde
Slip Ratings	
AS/NZS 4586 Wet Test	Classification F, Mean COF 0.60
AS/NZS 4586 Dry Test	Classification X, Pendulum Mean 43 BPN

STRUCTURAL WARRANTY

10 Year Commercial	For terms and conditions see
25 Year Residential	www.forte.co.nz/warranties

SUSTAINABILITY

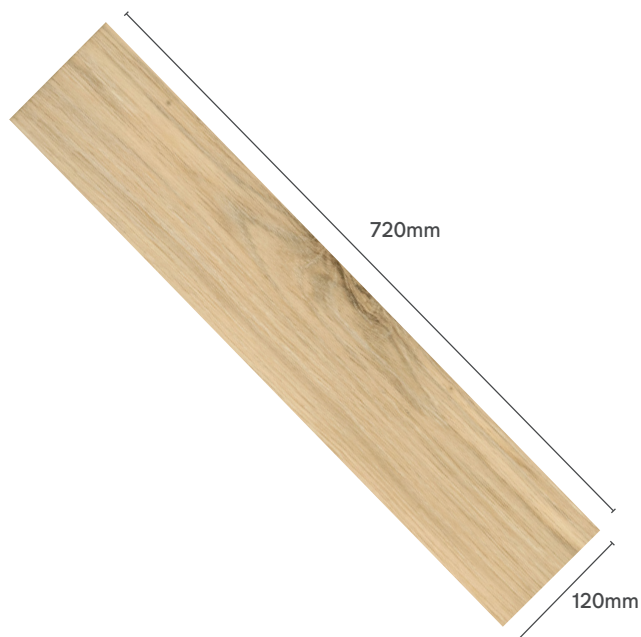
Sustainably Sourced

Herringbone Profile

ARTISTE GRANDE HERRINGBONE



Plank is tongue and groove on all four sides. Product supplied in right and left planks.



ARTISTE GRANDE – RUSTIC GRADE



An Artiste Grande, rustic grade plank will typically contain natural colour variation. This grade allows for more frequent, larger knots and sapwood may be expected throughout the planks. Larger cracks and checks will be present and are finished with a dark shade of filler.

SMOKED EUROPEAN OAK



Smoked or fumed timber has been treated to alter the colour depth and tonal variation of the wood. To find out more, visit forte.co.nz/advice/what-is-smoked-timber

Care and Maintenance

RESIDENTIAL AND COMMERCIAL CARE AND MAINTENANCE

Forté's Product Specialists have collated our care and maintenance recommendations to ensure your flooring looks like new for years to come. Residential and Commercial projects require different levels of care and maintenance. Visit www.forte.co.nz/careandmaintenance

Structural Warranty

ARTISTE GRANDE 25 YEAR RESIDENTIAL STRUCTURAL WARRANTY

The Artiste Grande Collection comes with a full 25 year Residential Structural Warranty. For full warranty terms and conditions, please visit www.forte.co.nz/warranties

ARTISTE GRANDE 10 YEAR COMMERCIAL STRUCTURAL WARRANTY

The Artiste Grande Collection comes with a full 10 year Commercial Structural Warranty. For full warranty terms and conditions, please visit www.forte.co.nz/warranties

Installation

THE ARTISTE GRANDE COLLECTION MUST BE INSTALLED BY A TRAINED PROFESSIONAL

Please ensure that you have read and understood the Installation guidelines before proceeding to install Artiste Grande timber flooring. If you have any questions or concerns, please call the Forté technical team on 0508 35 66 77. Failure to adhere to the Forté Installation Guidelines may void your warranty.

For full Installation guidelines, please visit www.forte.co.nz/Installation

CHEVRON SPECIFICATION SHEET

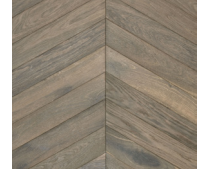
Artiste Collection Engineered T&G Chevron Plank by Forté. 19mm thick, 120mm wide, in 600mm plank lengths. Direct stick installation method onto substrate. Pre-finished with UV Cured Matte Lacquer.



Picasso



Da Vinci



Van Gogh



Vermeer

PRODUCT DETAILS

Collection	Artiste GRANDE
Product Type	Engineered Chevron Plank
Availability	Custom Order
Total Thickness	19mm
Width	120mm
Length	600mm
Wear Layer	5mm Solid Smoked European Oak* <small>(may vary depending on surface effects)</small>
Core	Birch Plywood
Construction	14mm Engineered Core + 5mm Solid Smoked Oak wear layer*
Re-sands	4-5 (approx. 1mm removed per re-sand)
Surface Texture	Deep Wood Grain
Surface Sheen	Extra Matte
Bevel	Micro bevel 4 sides
Status	Pre-finished <small>(no additional coats required)</small>
Finish	UV Cured Lacquer
Species	Smoked European Oak* <small>(refer page 2 for details)</small>
Wood Grade	Rustic
Filler Colour	Dependant on colour, visit forte.co.nz for accurate filler colour

The Artiste Grande Collection is also available in: 250mm planks and Herringbone pattern.

**Da Vinci, Van Gogh and Vermeer are Smoked European Oak. Picasso is European Oak (but has not been smoked).*

PACK INFORMATION

Pack Size	1.728m ²
Pieces per pack	20 Pieces (10x left, 10x right)
Pack Weight	12.37kg

INSTALLATION

Installation Method	Directly Stick / Glue Down (Double Stick for Multi-level)
Suitable Substrates	Plywood, Particle Board, Concrete, existing timber - enquire for others
Joint Profile	Tongue and Groove (4 sides)
Suitable Applications	Flooring, Walls, Ceilings
Suitable Uses	Residential homes, hospitality, retail stores, restaurants, apartments
Underfloor Heating	Awaiting test results
Wet Area Suitability	Contact the Forté team for information 0508 35 66 77

TECHNICAL SPECIFICATIONS

Reaction to Fire (Floors)	Critical Flux 5.0kw/m ²
Reaction to Fire (Walls and Ceilings)	Group 3 / Class Dfl-s1 (Group 1 can be achieved with intumescent coating)
Wear Layer Density	700kg/m ³
<u>Formaldehyde Emission</u>	
AS/NZS 2098.11	E0 (0.12mg/L) Low VOC, No added Formaldehyde
<u>Slip Ratings</u>	
AS/NZS 4586 Wet Test	Classification F, Mean COF 0.60
AS/NZS 4586 Dry Test	Classification X, Pendulum Mean 43 BPN

STRUCTURAL WARRANTY

10 Year Commercial	For terms and conditions see
25 Year Residential	www.forte.co.nz/warranties

SUSTAINABILITY

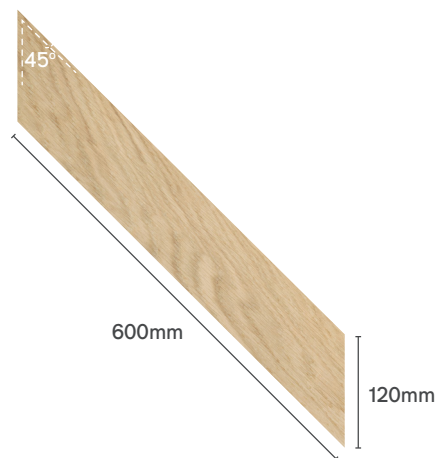
Sustainably Sourced

Chevron Profile

ARTISTE GRANDE CHEVRON



CHEVRON 45 Degrees



ARTISTE GRANDE – RUSTIC GRADE



An Artiste Grande, rustic grade plank will typically contain natural colour variation. This grade allows for more frequent, larger knots and sapwood may be expected throughout the planks. Larger cracks and checks will be present and are finished with a dark shade of filler.

SMOKED EUROPEAN OAK



Smoked or fumed timber has been treated to alter the colour depth and tonal variation of the wood. To find out more, visit forte.co.nz/advice/what-is-smoked-timber

Care and Maintenance

RESIDENTIAL AND COMMERCIAL CARE AND MAINTENANCE

Forté's Product Specialists have collated our care and maintenance recommendations to ensure your flooring looks like new for years to come. Residential and Commercial projects require different levels of care and maintenance. Visit www.forte.co.nz/careandmaintenance

Structural Warranty

ARTISTE GRANDE 25 YEAR RESIDENTIAL STRUCTURAL WARRANTY

The Artiste Grande Collection comes with a full 25 year Residential Structural Warranty. For full warranty terms and conditions, please visit www.forte.co.nz/warranties

ARTISTE GRANDE 10 YEAR COMMERCIAL STRUCTURAL WARRANTY

The Artiste Grande Collection comes with a full 10 year Commercial Structural Warranty. For full warranty terms and conditions, please visit www.forte.co.nz/warranties

Installation

THE ARTISTE GRANDE COLLECTION MUST BE INSTALLED BY A TRAINED PROFESSIONAL

Please ensure that you have read and understood the Installation guidelines before proceeding to install Artiste Grande timber flooring. If you have any questions or concerns, please call the Forté technical team on 0508 35 66 77. Failure to adhere to the Forté Installation Guidelines may void your warranty.

For full installation guidelines, please visit www.forte.co.nz/installation

STAIR NOSING SPECIFICATION SHEET



Picasso

Da Vinci

Van Gogh

Vermeer

PRODUCT DETAILS

Collection	Artiste Grande
Product Type	Solid Oak Stair Nosing
Availability	Custom Order
Thickness (Tread)	19mm
Thickness (Face)	40mm
Width	120mm
Length	1400mm
Construction	Solid Oak
Re-sands	Up to 2 (approx. 1mm removed per re-sand)
Surface Texture	Deep wood grain texture
Surface Sheen	Matte
Edge Style	Rounded edge
Status	Pre-finished (no additional coats required)
Finish	Italian UV Cured Lacquer
Species	European Oak
Wood Grade	Rustic
Filler Colour	Dependant on colour, visit forte.co.nz for accurate filler colour

The Artiste Grande Collection is also available in Herringbone and Chevron patterns.

STRUCTURAL WARRANTY

5 Year Commercial	For terms and conditions see
25 Year Residential	www.forte.co.nz/warranties

INSTALLATION

Installation Method	Glue down or pin/nail
Suitable Substrates	Plywood, Particle Board, Concrete, existing timber - enquire for others
Joint Profile	Groove (on tread)
Suitable Uses	Stairs in residential homes, hospitality, retail stores, restaurants, apartments (in commercial staircases additional slip resistance may be required)

PACK INFORMATION

Supplied in	1.4m lengths
Nosing Weight	2.09kg/nosing

Care and Maintenance

RESIDENTIAL AND COMMERCIAL CARE AND MAINTENANCE

Forté's Product Specialists have collated our care and maintenance recommendations to ensure your stair nosings looks like new for years to come. Residential and Commercial projects require different levels of care and maintenance. Visit www.forte.co.nz/careandmaintenance

Structural Warranty

ARTISTE GRANDE 25 YEAR RESIDENTIAL STRUCTURAL WARRANTY

The Artiste Grande Collection comes with a full 25 year Residential Structural Warranty. For full warranty terms and conditions, please visit www.forte.co.nz/warranties

ARTISTE GRANDE 5 YEAR COMMERCIAL STRUCTURAL WARRANTY

The Artiste Grande Collection comes with a full 5 year Commercial Structural Warranty. For full warranty terms and conditions, please visit www.forte.co.nz/warranties

Installation

THE ARTISTE GRANDE COLLECTION MUST BE INSTALLED BY A TRAINED PROFESSIONAL

Please ensure that you have read and understood the installation guidelines before proceeding to install Artiste Grande stair nosings. If you have any questions or concerns, please call the Forté technical team on 0508 35 66 77. Failure to adhere to the Forté Installation Guidelines may void your warranty.

For full installation guidelines, please visit www.forte.co.nz/installation