

PUSH BUTTON LOCKS

E-Plex 2000 Cylindrical

Electronic Access Control - Light Duty Commercial

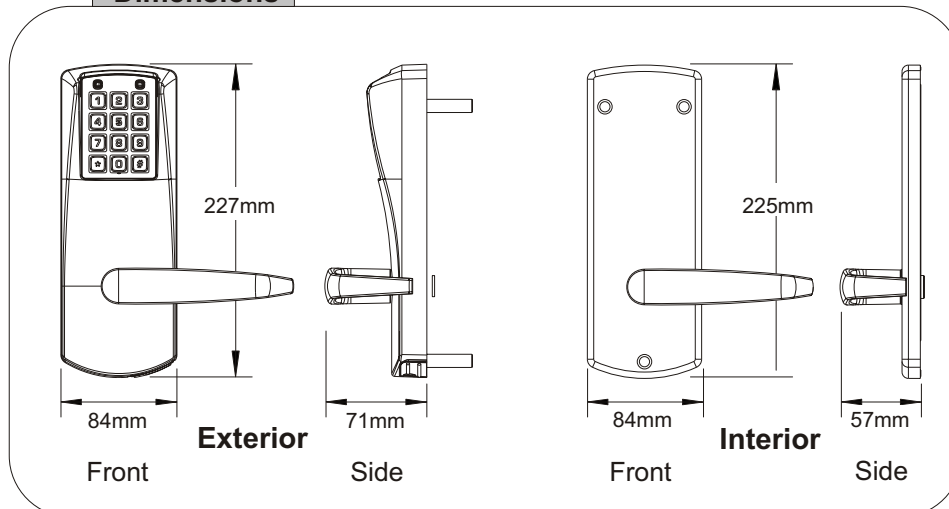
PC-E

E-Plex 2000 Series Electronic Pushbutton Lock. Up to 100 Users, Multiple Modes Including: PIN Access, Lockout & Passage, Simple Keypad Programming, Key Over-ride. The Non-handed and field reversible design accommodates both left and right handed doors, accepting Kaba 1539 6 - Pin cylinders - Schlage C Keyway. (Supplied)



- *Ease of Installation** No wiring to or through the door - no risk of pinched wires
- *Door Preparation** Easily installs on wood or metal doors. Cylindrical Lock preparation with 3 additional through bore holes
- *Door Thickness** 1 3/8" (35mm) to 2 1/2" (64mm). Pre-assembled to accommodate doors 1 5/8" (41mm) to 2" (50mm) (35mm to 55mm for E2070 version)
- *Items Supplied Include** Lock assembly, installation manual, template and required hardware. (35mm to 55mm for E2070 version)

Dimensions



Product Code

E2031XSLL-626-41
E2031XSLL-606-41
E2070XSLL-626-41
E2070XSLL-606-41

Finish

SCP
SB
SCP
SB

Description

E-Plex 2000 Cylindrical Lock, 70 mm Backset
E-Plex 2000 Cylindrical Lock, 70mm Backset
E-Plex 2000 Aust. Mortice Version (Less Mortice Lock)
E-Plex 2000 Aust. Mortice Version (Less Mortice Lock)

ACCESSORIES

E2000-MKIT
75185-26D-01

ZP
SCP

Spindle Kit To Suit E-Plex 2000 To Australian Mortice Lock
Latch 60mm To Suit Simplex/E-Plex