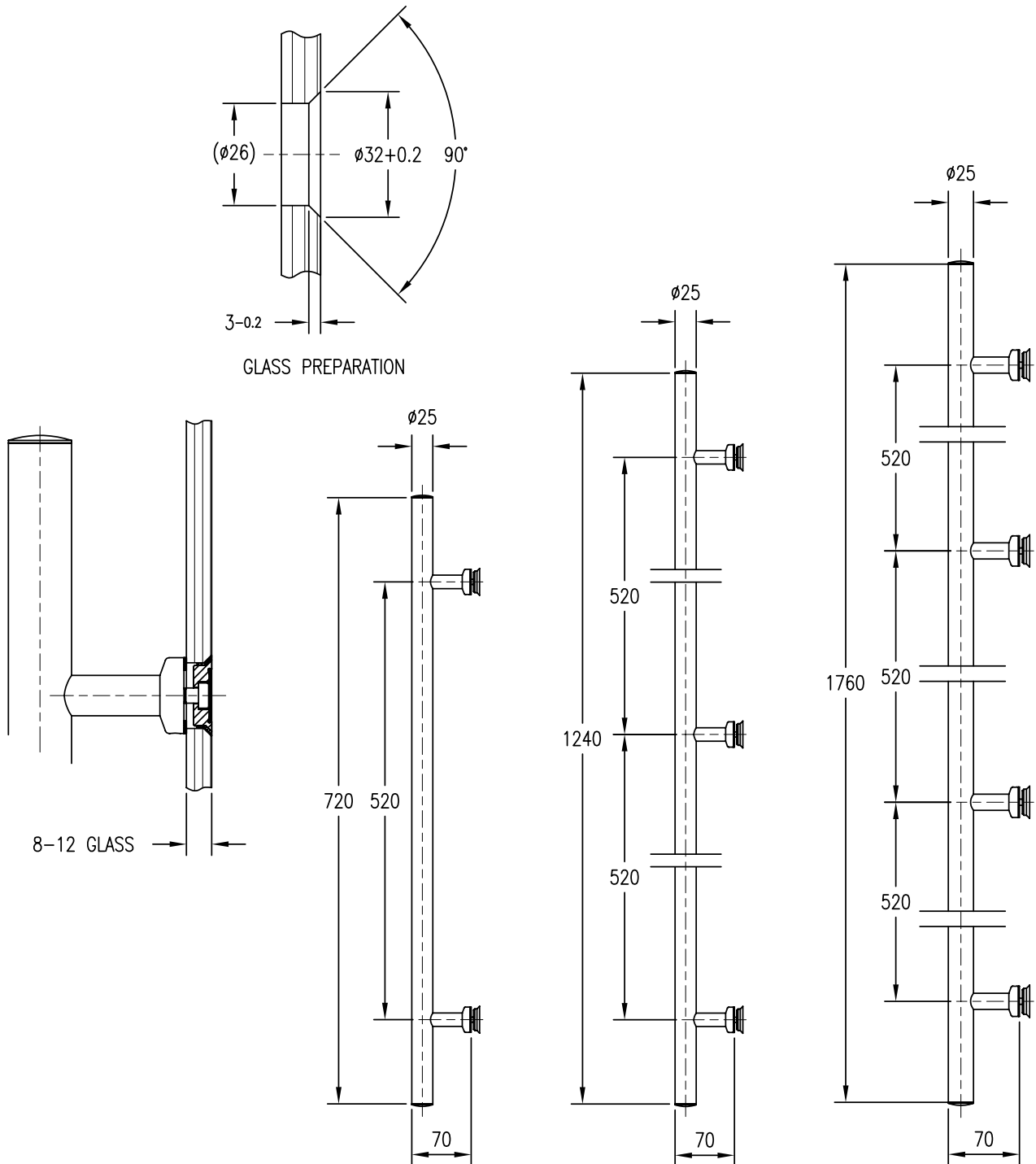


# DOOR HANDLES

## MANET



MANET HANDLE SPECIFICATION: MANET M29 Series Single Sided Handles with Countersunk Fixings.

M29.271 for 720 x 25mm Handle, 520mm Centers.

M29.274 for 1240 x 25mm Handle, 520mm Centers.

M29.277 for 1760 x 25mm Handle, 520mm Centers.

Specify glass thickness 8, 10 or 12mm.

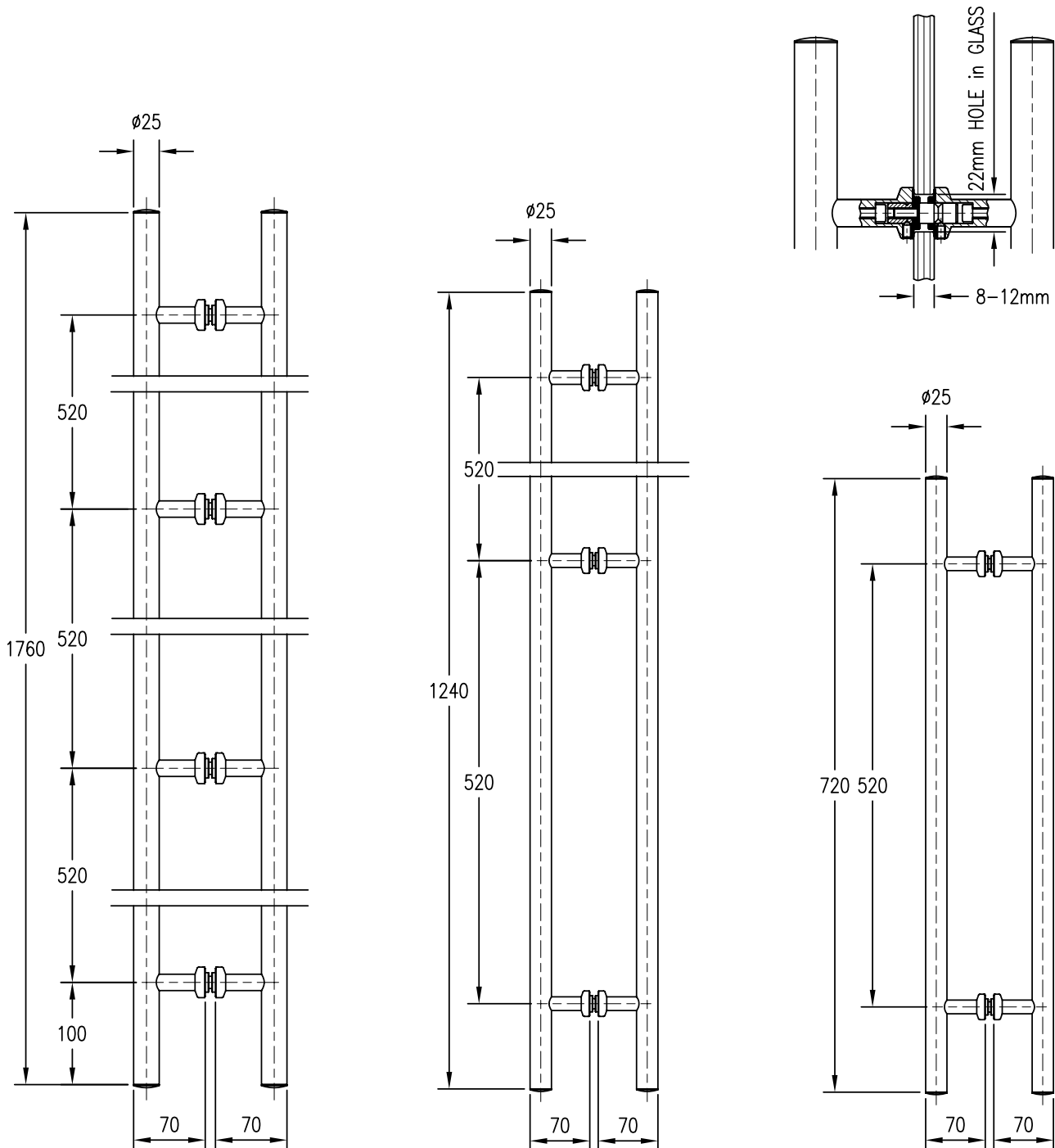
Thicker Glass and Timber Doors on application.

### FINISHES

STAINLESS: SSS

# DOOR HANDLES

## MANET

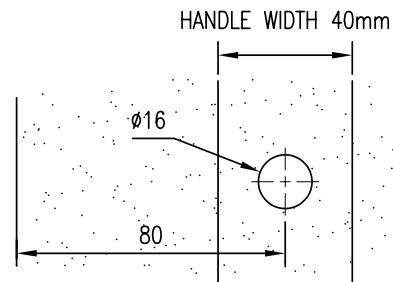
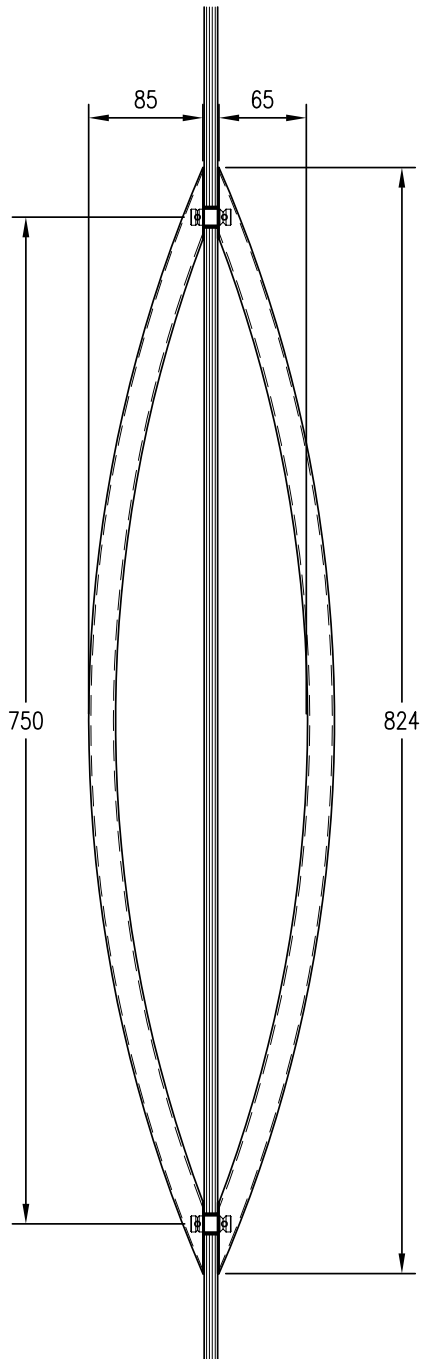


MANET HANDLE SPECIFICATION: MANET M21 Series Back to Back Handles  
M21.270 for 720 x 25mm Handle, 520mm Centers.  
M21.273 for 1240 x 25mm Handle, 520mm Centers.  
M21.276 for 1760 x 25mm Handle, 520mm Centers.  
Specify glass thickness 8, 10 or 12mm.  
Thicker Glass and Timber Doors on application .

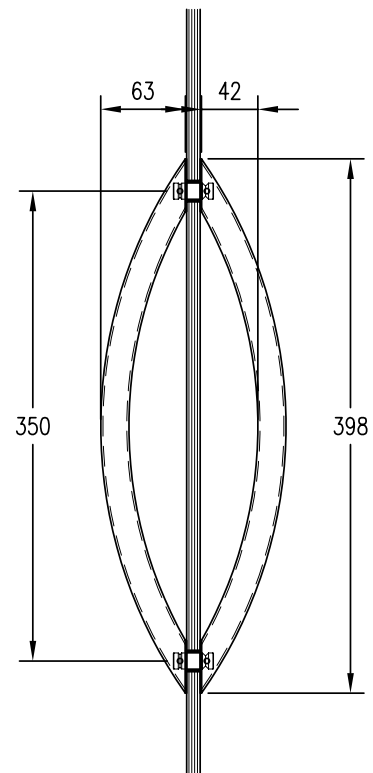
**FINISHES**  
**STAINLESS: SSS**

# DOOR HANDLES

## ARCOS



GLASS PREPARATION



ARCOS HANDLE SPECIFICATION: ARCOS A26 Series Back to Back Handles.  
 A26.500 for 398mm Handle, 350mm Centers.  
 A26.510 for 824mm Handle, 750mm Centers.  
 Specify glass thickness 8, 10 or 12mm.  
 Thicker Glass and Timber Doors on application.

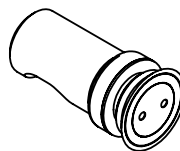
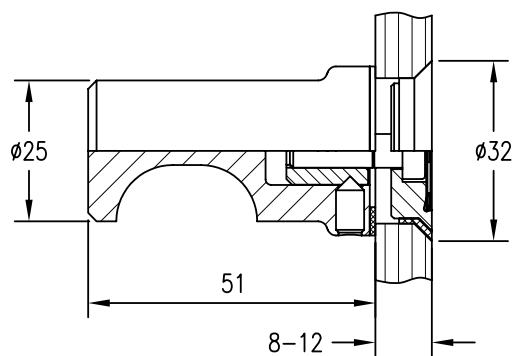
**FINISHES**  
**STAINLESS: SSS**

# DOOR HANDLES

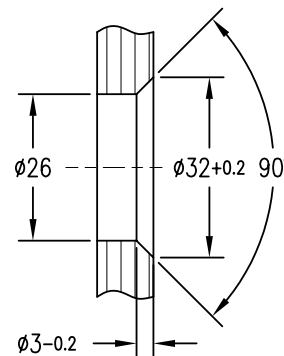
## KNOBS

### M21.422

SINGLE DOOR KNOB, COUNTERSUNK

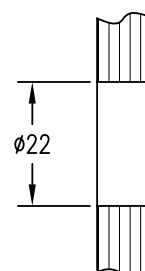
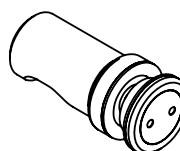
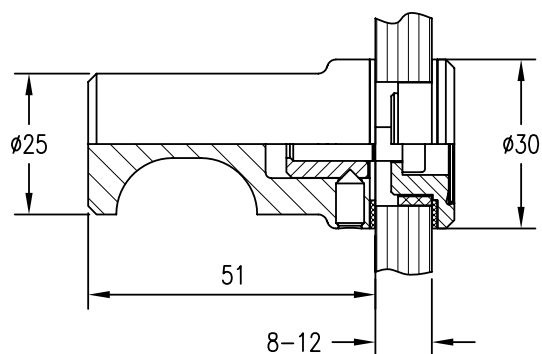


Countersunk Hole Detail



### M21.426

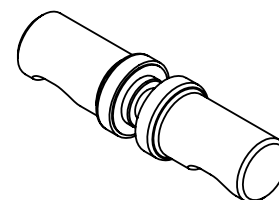
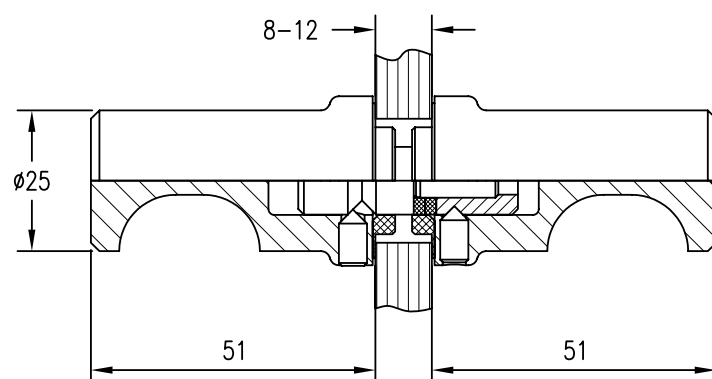
SINGLE DOOR KNOB, CLAMPING DISC



Drilling Hole Detail  
FOR M21.426 & M21.423

### M21.423

DOOR KNOB, BACK TO BACK



MANET KNOBS SPECIFICATION: Suit Glass Thickness 8, 10, or 12mm.  
Thicker Glass and Timber Doors on application.

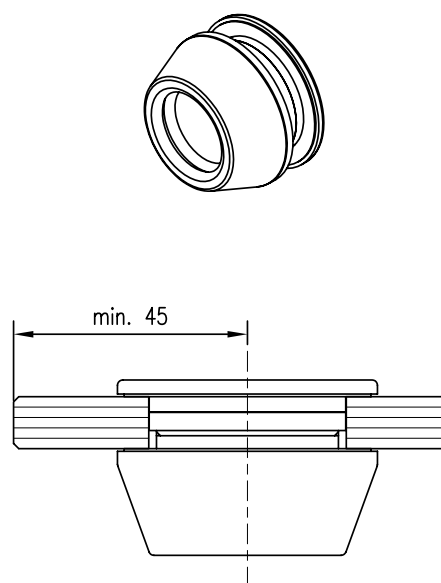
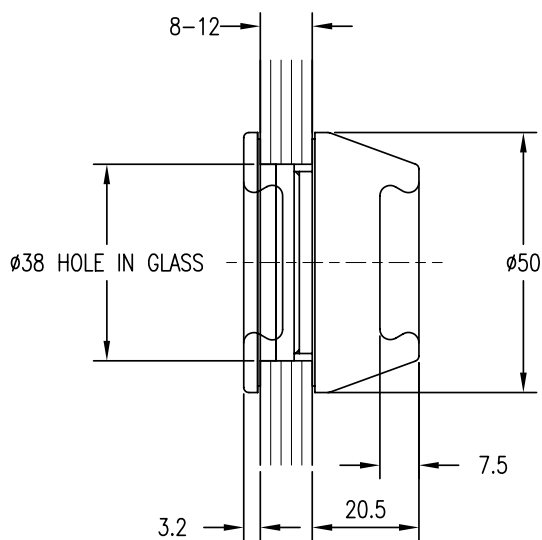
**FINISHES**  
STAINLESS: SSS

# DOOR HANDLES

## PULLS

### M21.290

RECESSED PULL GRIP

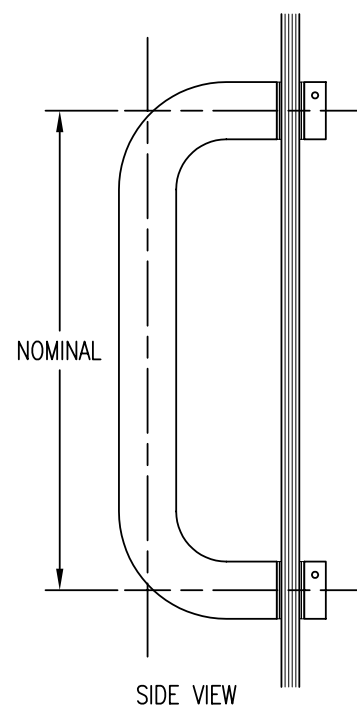
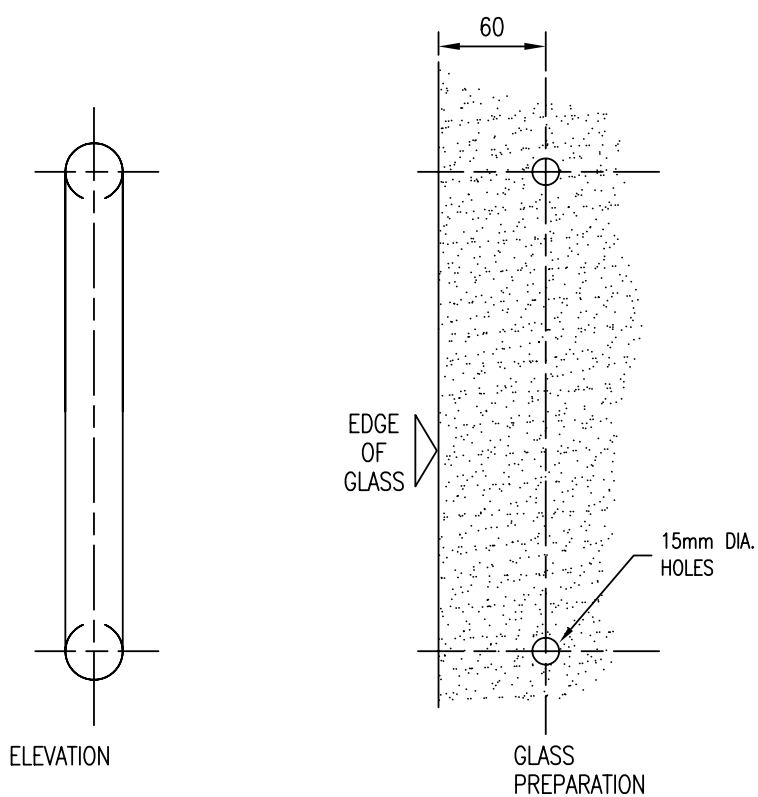
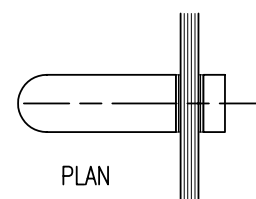
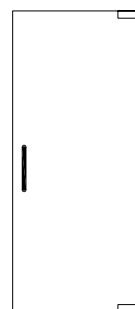
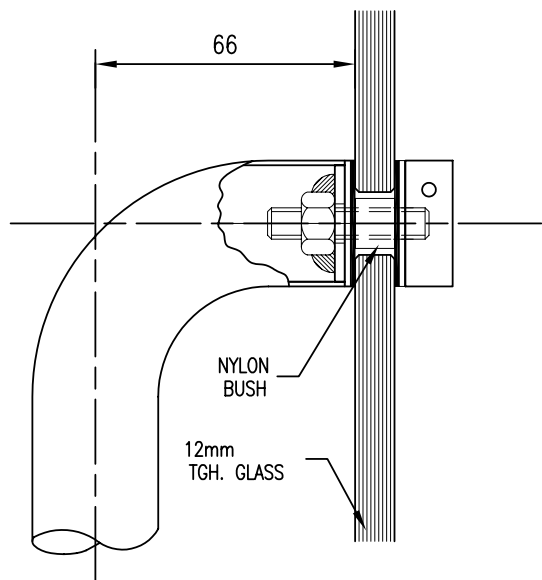


PULLS SPECIFICATION: Suit Glass Thickness 8, 10, or 12mm.  
Thicker Glass and Timber Doors on application.  
NOTE: Silicon / UV Bonded - CDS1.FP to Glass

**FINISHES**  
STAINLESS: SSS

# DOOR HANDLES

## CD 1-30

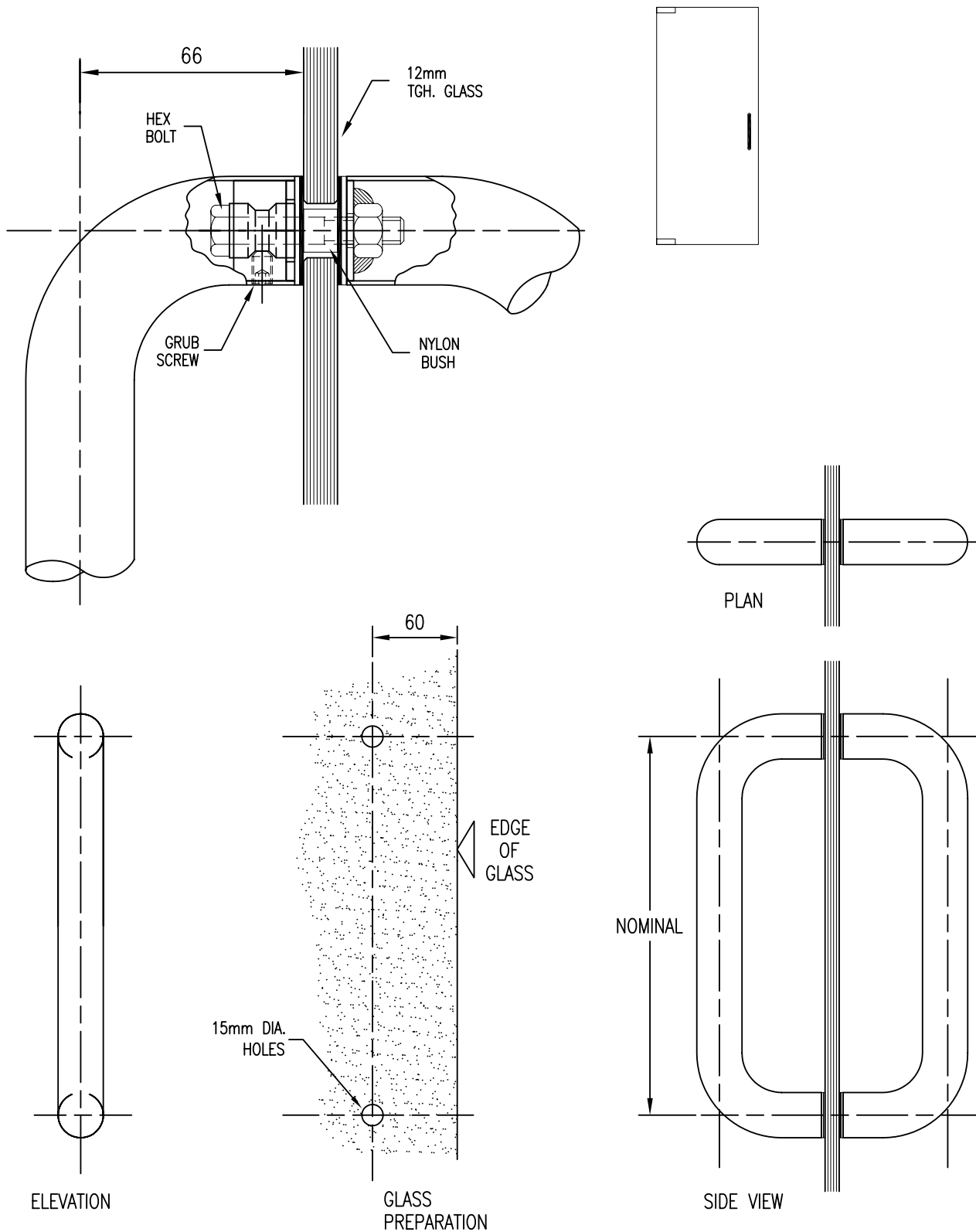


CD 1 SPECIFICATION: 32mm dia. Tubular "D" Pull, single side fix with Buttons. Specify hole centres as required.  
 Specify Tube diameter 25mm and 32mm.  
 Specify finish required.  
 Note: Back to Back handle CD 2.  
 SIZES (CENTRE TO CENTRE)  
 CD 1-30 - 300mm CD 1-50 - 500mm  
 CD 1-35 - 350mm CD 1-60 - 600mm

**FINISHES**  
 STAINLESS: SSS, PSS

# DOOR HANDLES

## CD 2-30



CD 2 SPECIFICATION: 32mm dia. Tubular "D" Pull Handles, back to back fix.  
 Specify hole centres as required.  
 Specify Tube diameter 25mm and 32mm.  
 Specify finish required.

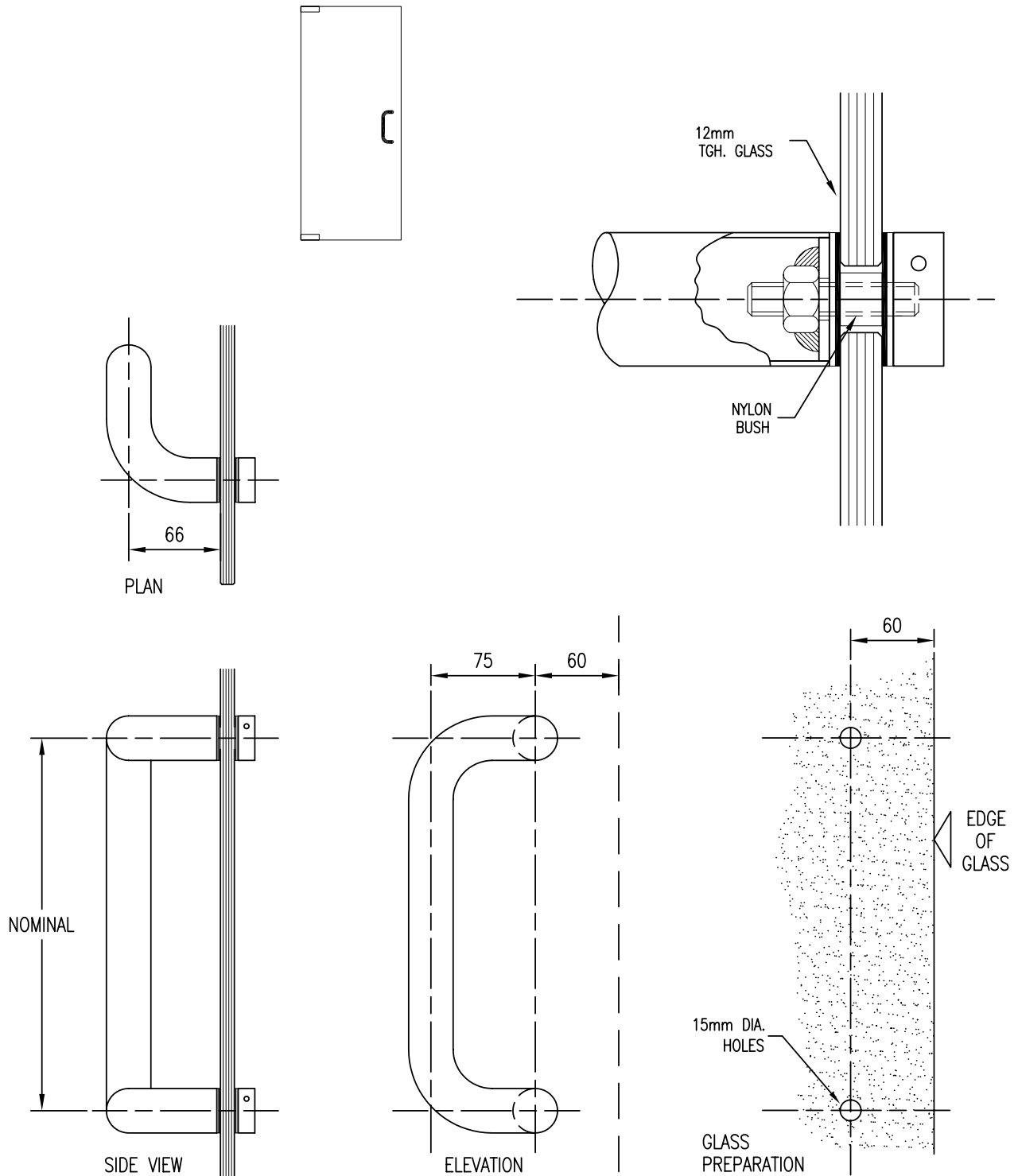
**FINISHES**  
**STAINLESS: SSS, PSS**

Note: Single sided handle CD 1. Refer Drawing 5-06

**SIZES (CENTRE TO CENTRE)**  
 CD 2-30 - 300mm CD 2-50 - 500mm  
 CD 2-35 - 350mm CD 2-60 - 600mm

# DOOR HANDLES

## CD 3-30



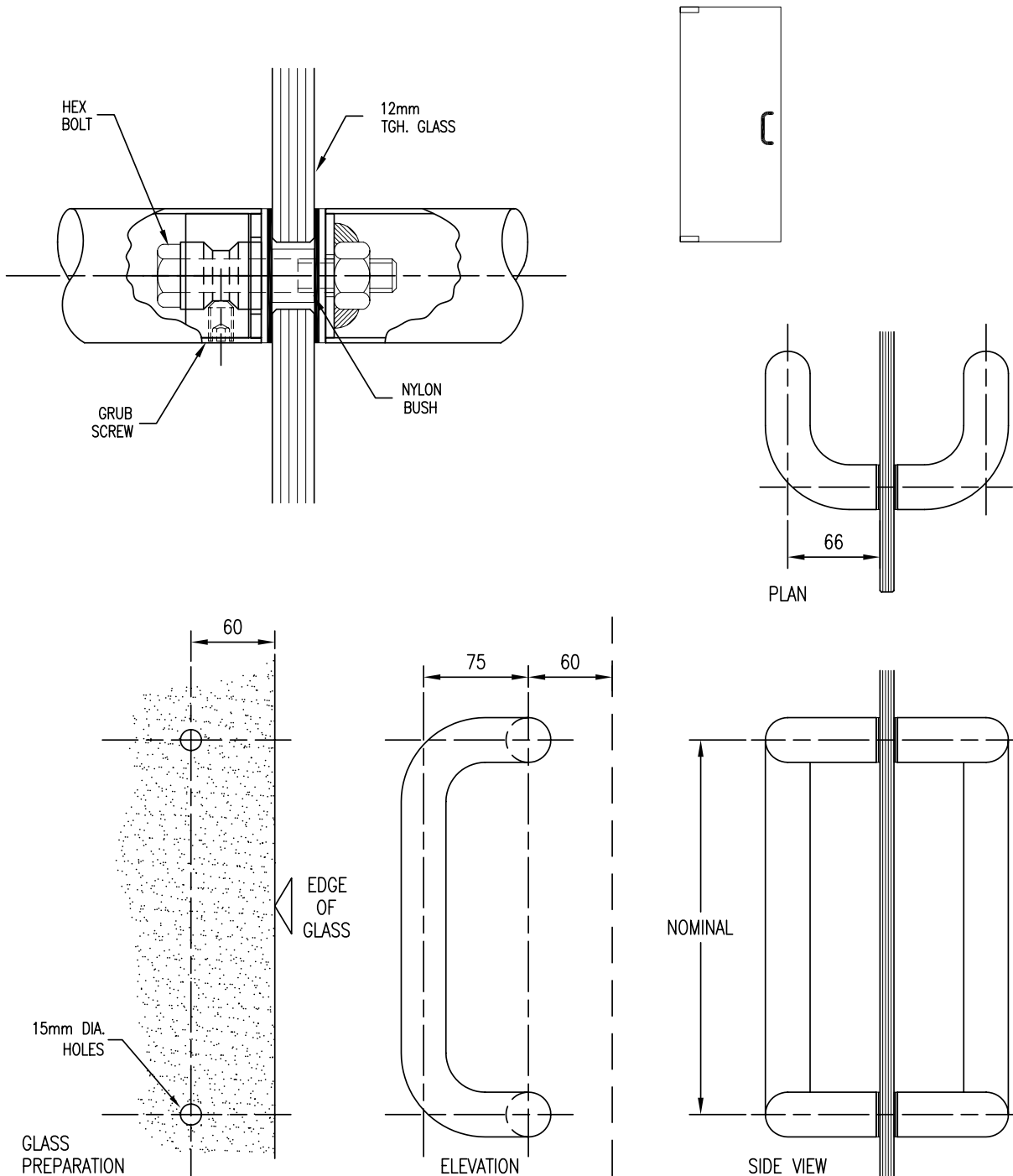
CD 3 SPECIFICATION: 32mm dia. Tubular Offset "D" Pull. single side fix with Buttons. Specify hole centres as required.  
 Specify Tube diameter 25mm and 32mm.  
 Specify finish required.  
 Note: Back to Back handle CD 4. Refer Drawing 5-10  
 SIZES (CENTRE TO CENTRE)  
 CD 3-30 - 300mm CD 3-50 - 500mm  
 CD 3-35 - 350mm CD 3-60 - 600mm

**FINISHES**  
 STAINLESS: SSS, PSS



# DOOR HANDLES

## CD 4-30



CD 4 SPECIFICATION: 32mm dia. Tubular Offset "D" Pull Handles, back to back fix. Specify hole centres as required. Specify Tube diameter 25mm, 32mm or 38mm. Specify finish required.

Note: Single sided handle CD 3. Refer Drawing 5-09

SIZES (CENTRE TO CENTRE)

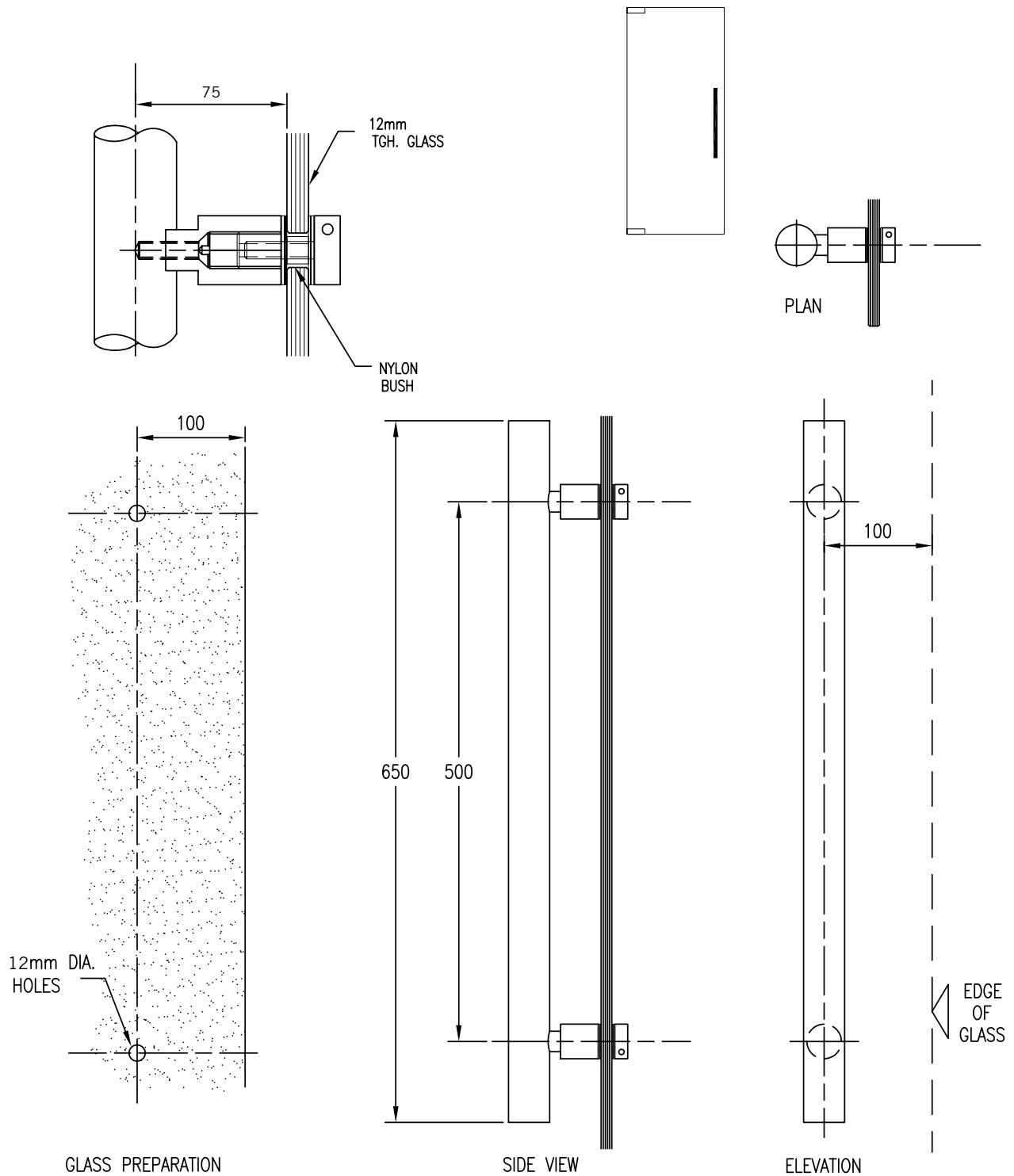
CD 4-30 - 300mm CD 4-50 - 500mm

CD 4-35 - 350mm CD 4-60 - 600mm

**FINISHES**  
STAINLESS: SSS, PSS

# DOOR HANDLES

## CD 27-50



CD 27-50 SPECIFICATION: 38mm dia, Tubular Pull Handle, single side fix with buttons. Specify finish required.

Note: Back to Back handle CD 28-50, Refer Drawing 5-21

SIZES (CENTRE TO CENTRE)

CD 27-50 - 500mm

CD 27L - 1000mm

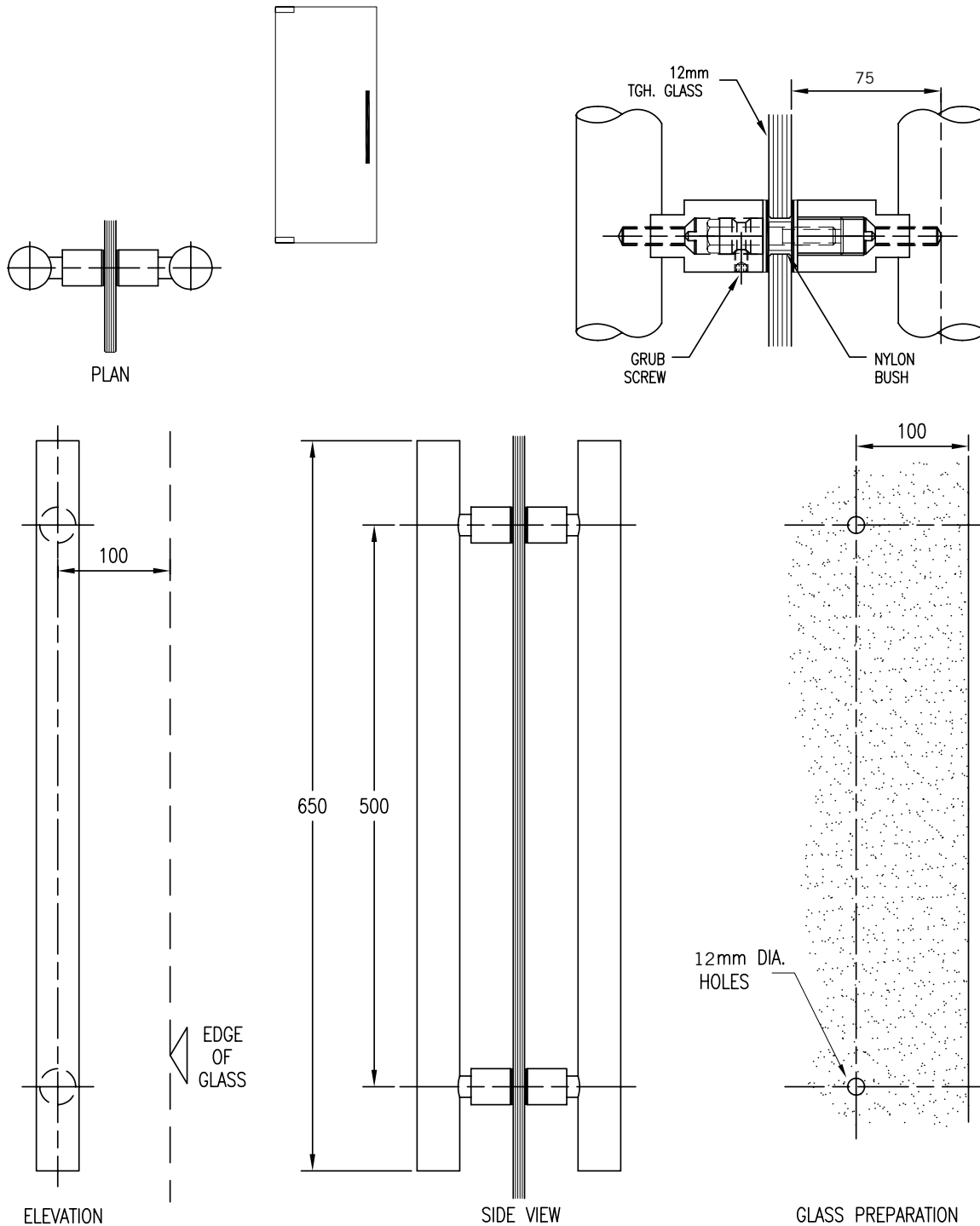
CD 27XL - 1500mm

### FINISHES

STAINLESS: SSS, PSS

# DOOR HANDLES

## CD 28-50



CD2B-50 SPECIFICATION: 38mm dia. Tubular Pull Handle, back to back fix. Specify finish required.  
 Note: Single side handle CD 27-50, Refer Drawing 5-20  
 SIZES (CENTRE TO CENTRE)  
 CD 28-50 - 500mm  
 CD 28L - 1000mm  
 CD 28XL - 1500mm

**FINISHES**  
 STAINLESS: SSS, PSS