



## Overview

PolyGlaze can help you create an elegant, stylish, glass look appearance for your outdoor living space, so your family and friends can enjoy the New Zealand outdoor lifestyle.

PolyGlaze can be easily installed with screws and overlapped on rafters at 600mm centres, to give an outstanding unobstructed view.

[ampelite.co.nz](http://ampelite.co.nz)

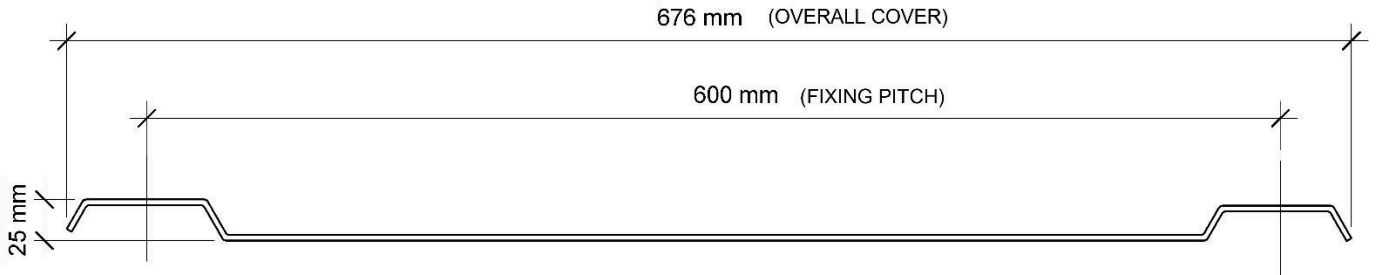
## Main Benefits

- A glass look appearance without the expense
- Available in clear and grey tint
- Lightweight and strong
- Simple and cost effective to install
- Greater hail and wind resistance
- UV protection, blocks 99.9% UV radiation
- 600mm cover in 3.0mm gauge

## Typical Applications

- Pergolas
- Patio enclosures
- Awnings and canopies
- Carports
- Cafes, restaurants, and lightweight commercial applications

# PolyGlaze Profile



## PolyGlaze Sizes

Effective Cover	600mm
Total Width	676mm
Sheet Thickness	3mm
Sheet Length	2m, 3m, 4m, 6m
Profile Height	25mm
Rafter width	40-50mm

## PolyGlaze Colour Range

	Clear	Grey
Light Transmission (%)	90	35
Shading Coefficient	1.0	0.51
Solar Heat Gain (SHGC)	0.86	0.56

## Flammability

PolyGlaze complies with the most demanding international fire resistance standards in the field of plastics.

- AS9705-Group 1 ASI530.3 – Ignitability – 0, Spread of Flame – 0, Heat Index – 0, Smoke – 2.

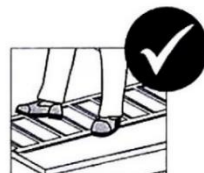
## Roof Angle

PolyGlaze should be installed to a minimum 3° angle.



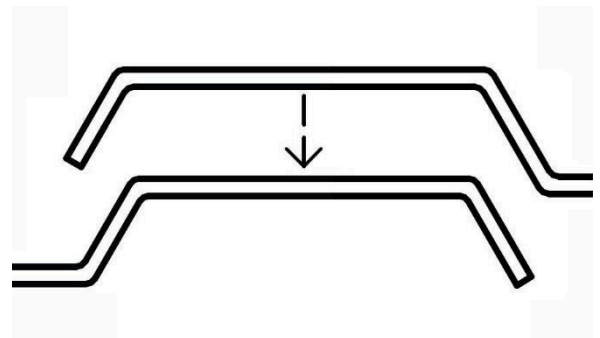
## Handling and Storage

- Store PolyGlaze out of direct sunlight in a clean, dry and flat area
- Peel back protective masking from both ribs before installation
- Don't walk on panels



## Sheet Lapping

Ensure larger rib overlaps smaller rib. Refer marking on sheet.



# Before Installation

## Health & Safety

PolyGlaze does not create hazards when handled and installed. Wear appropriate Personal Protective Equipment when installing. Beware of any awkward movements, straining or twisting while moving sheets.

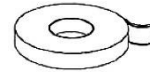
## Tools

PolyGlaze requires no special tools and can be installed using a wide variety of standard building equipment. It is recommended a fine tooth saw blade is used when cutting PolyGlaze sheets.

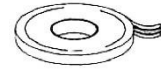
## Accessories



Timber Fixing  
(Multi- Drive 10g  
x 50mm)  
Ampelite code  
PKSS10X50 or;  
PKSSBK



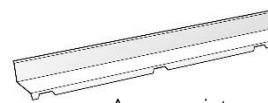
Ampelite  
Anti-noise  
Tape



Ampelite  
Foam Filler  
Tape



Ampelite  
SealOnce  
Silicon



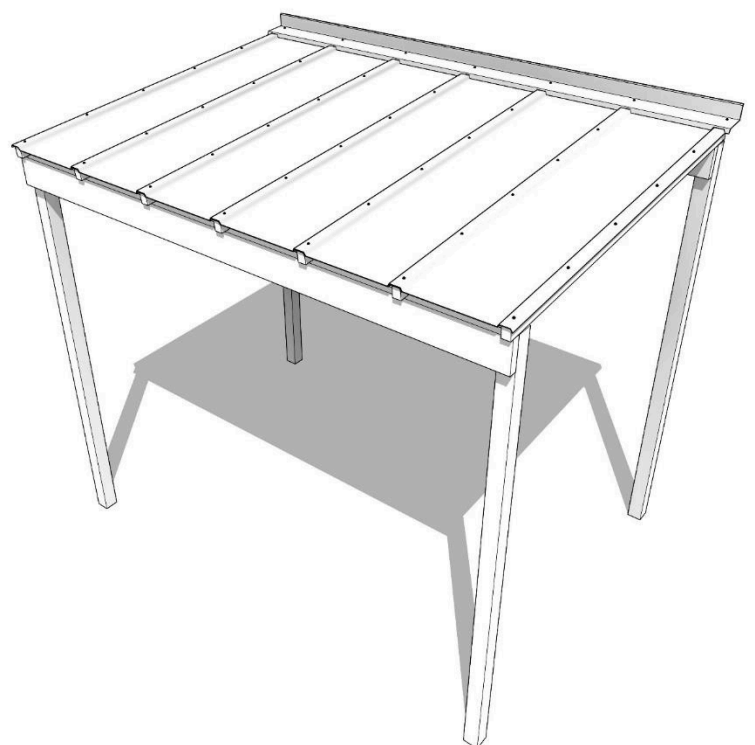
Appropriate  
Apron  
Flashing/s



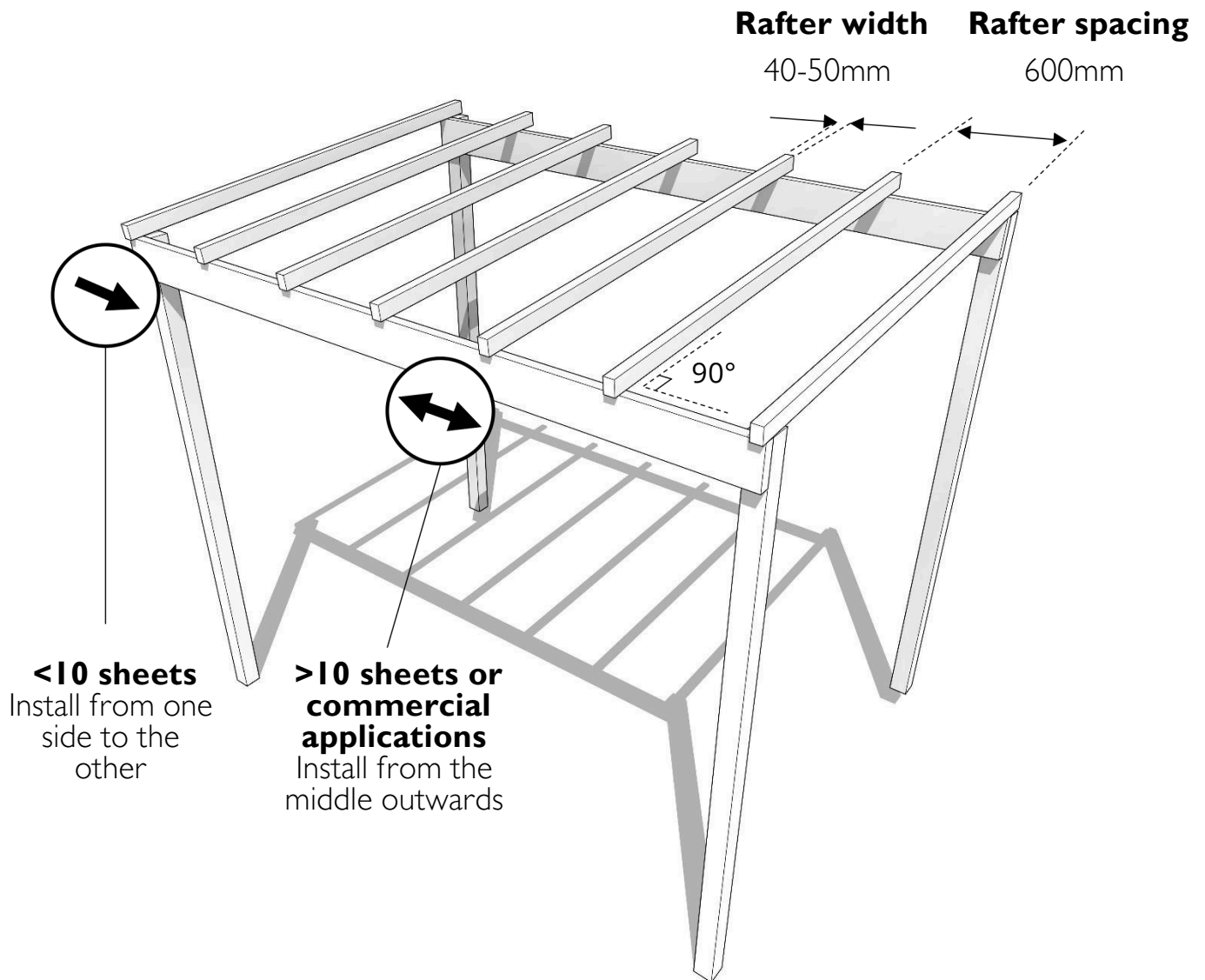
Appropriate  
Barge  
Flashing/s

For more information, visit

[ampelite.co.nz](http://ampelite.co.nz)



# Rafter Layout

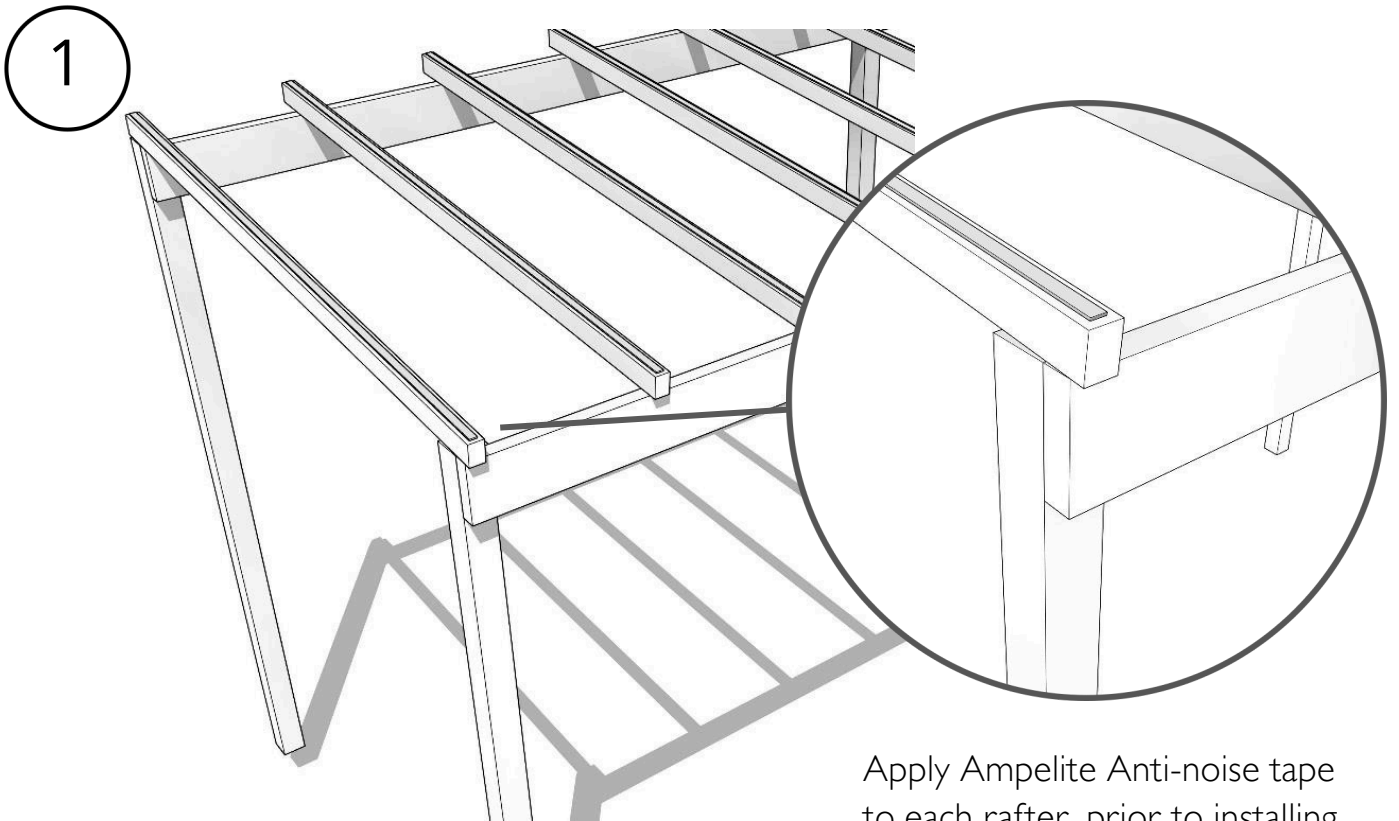


## Rafter Specification

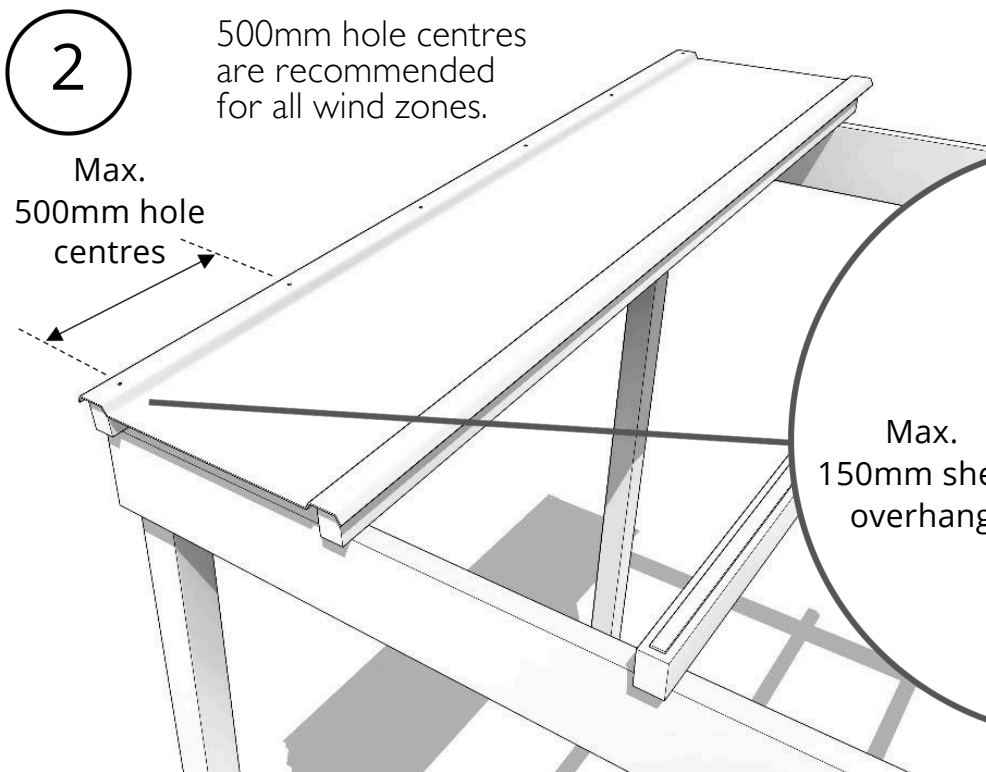
PolyGlaze is designed to be installed on 50mm Rafters at 600mm centres with no need for the use of Purlins to support the PolyGlaze sheet. If using timber, Ampelite Ltd. recommend using Glulam rafters to ensure a straight, rigid application. Please follow manufacturers guidelines for installation and maintenance. If traditional timber is used, we recommend extra dwangs/nogs are added to the structure to minimise warping.



# Installation Procedure

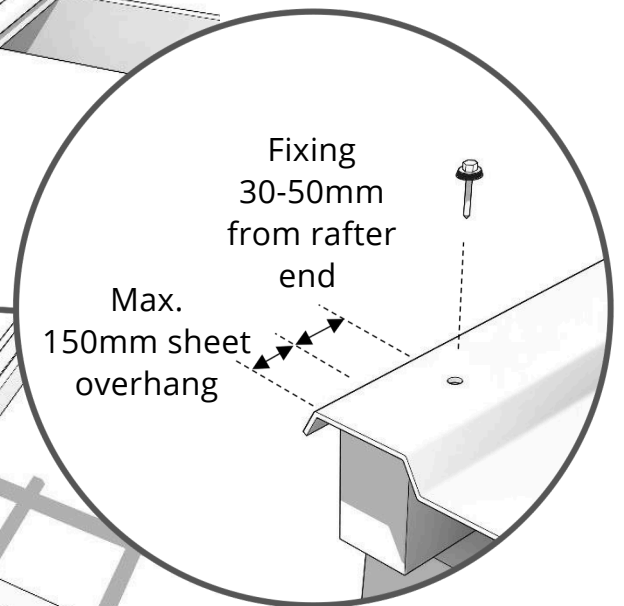


Apply Ampelite Anti-noise tape to each rafter, prior to installing PolyGlaze sheets.



500mm hole centres are recommended for all wind zones.

Max. 500mm hole centres



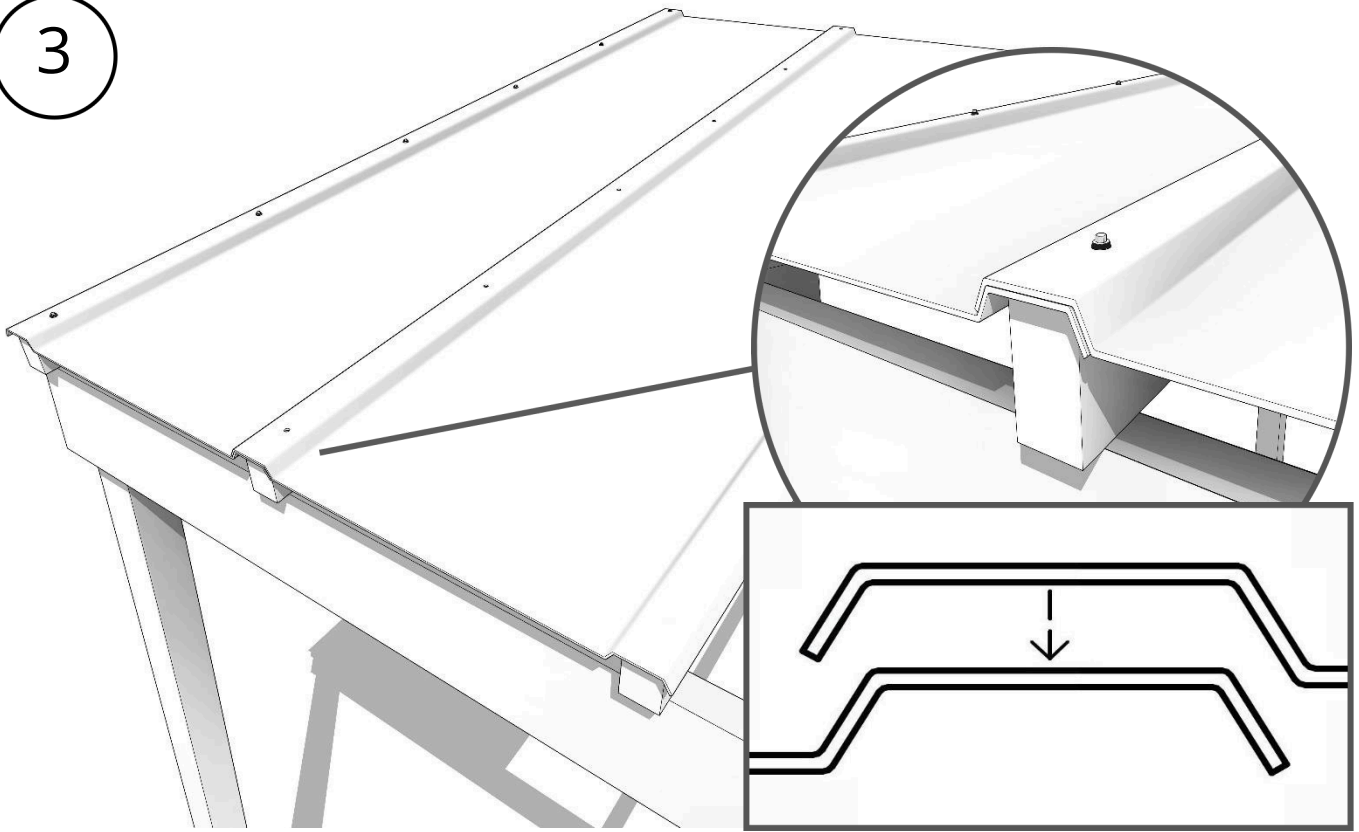
Fixing 30-50mm from rafter end

Max. 150mm sheet overhang

Pre-drill 10mm clearance holes through PolyGlaze at Max. 500mm centres. Max. 150mm overhang of sheet.

Fix using Ampelite PolyGlaze fixings (Multi- Drive 10g x 50mm). Fix from one end of PolyGlaze profile to the other.

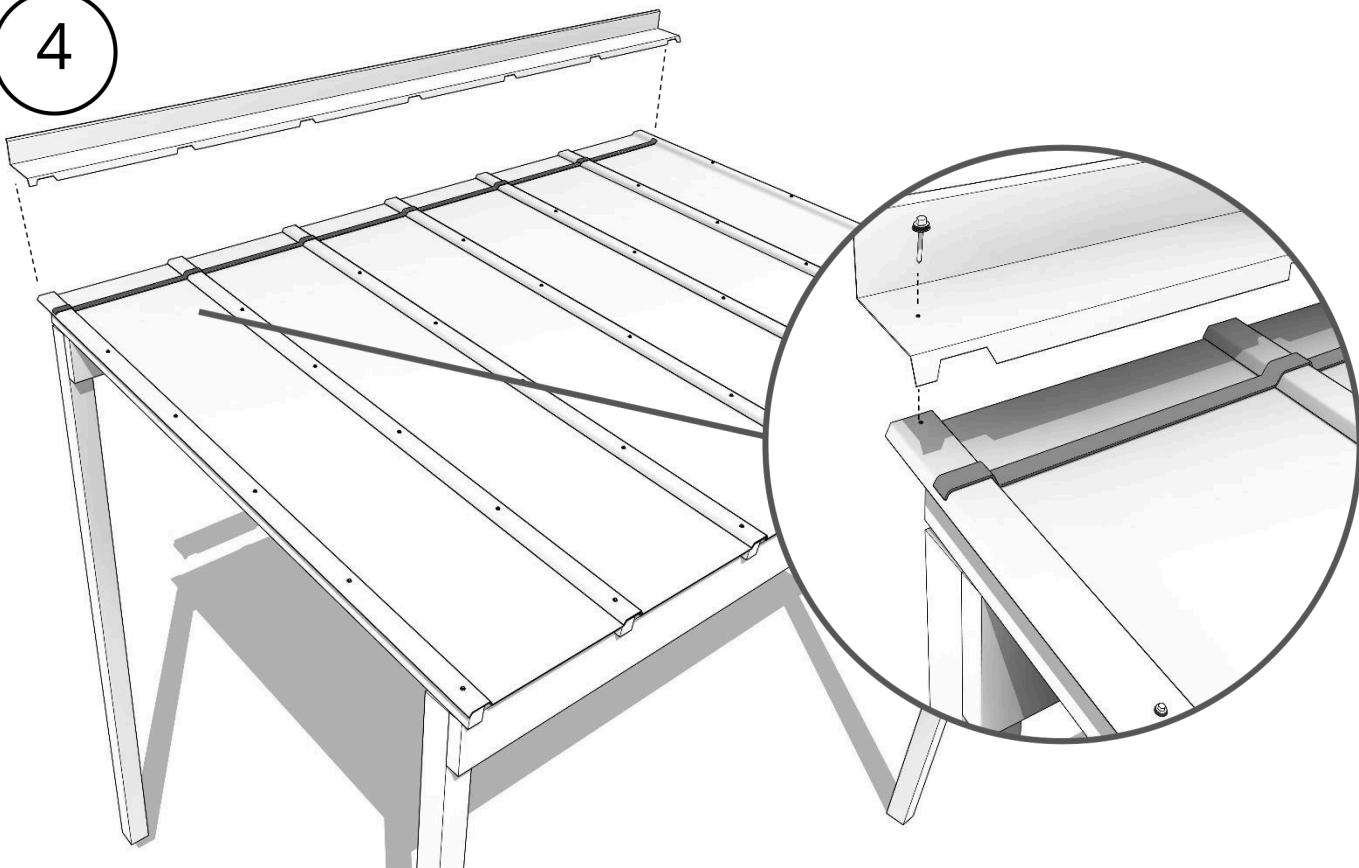
3



Place next PolyGlaze sheet ensuring correct lap orientation shown. Pre-drill 10mm clearance holes through PolyGlaze.

Fix using Ampelite PolyGlaze fixings. Fix from one end of PolyGlaze profile to the other. Repeat for all PolyGlaze sheets.

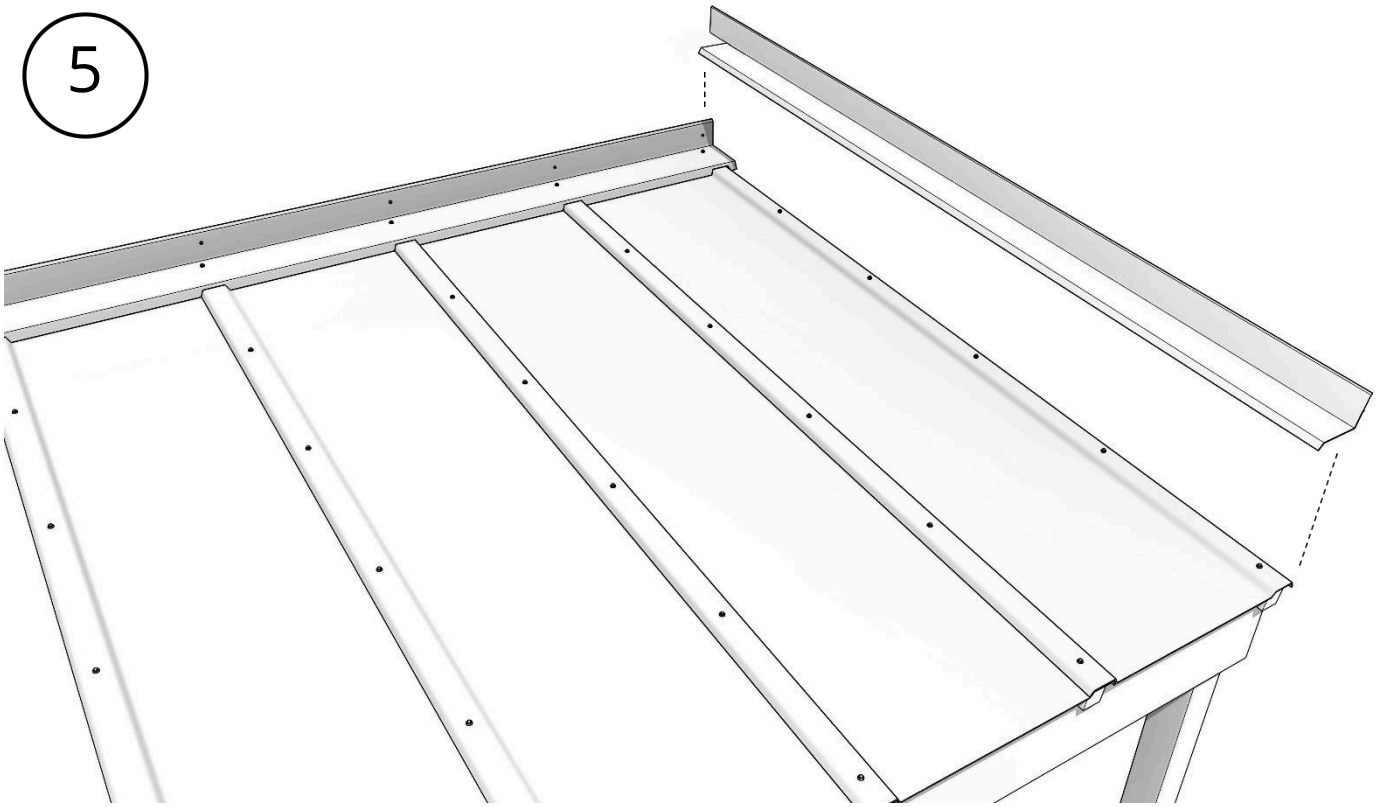
4



Mark final position of apron flashing at head. Apply Ampelite Foam Filler Tape along full width of flashing prior to install.

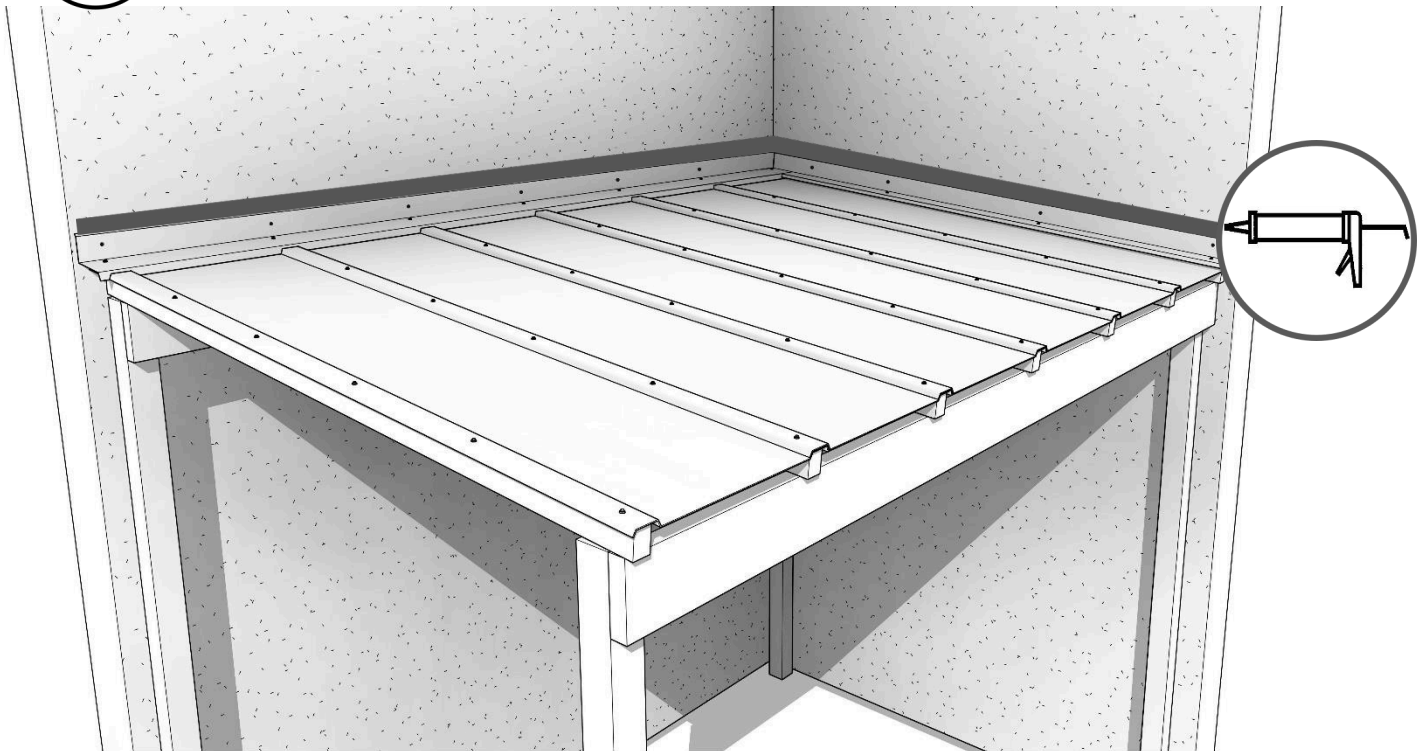
Fix to PolyGlaze using Ampelite PolyGlaze fixings. Fix flashing to wall using appropriate fixings.

5



Where applicable, install barge flashing to meet apron flashing at corner. Fix to PolyGlaze using Ampelite PolyGlaze fixings. Fix to wall using appropriate fixings.

6



Apply Ampelite SealOnce silicon around perimeter at flashings.

For more information, visit [ampelite.co.nz](http://ampelite.co.nz)