

# The Fence Book





# Contents

DuraPanel	05
PicketPanel	13
SentryPanel	19
ColourPanel	25
ColourSlat	31
SmartWall	37
SleekWall	43
FlameWall	49
Green Screen	53
Post&Rail	57
Custom Gates & Signs	60
Lifestyle Timber Gates	62
Timber Bollards	64
Heritage	66



Auckland



Christchurch



Invercargill

# We make fencing **easy**

## Who we are

Innovation has been at the heart of what we do at Boundaryline Fencing Systems since the company was founded in Invercargill, with a range of timber Post&Rail fencing many years ago. We quickly found there were people throughout the New Zealand construction industry that liked our way of doing things, so our range of fencing systems grew quickly to meet the requirements of the market.

With the widest range of fencing systems available on the New Zealand market and located in Auckland, Christchurch, and Invercargill – we have the products, service and attitude to make fencing easy for you.

## Our promise

We're a customer focused team, dedicated to making it easy for anyone in New Zealand to get the fence they need. We listen to what you tell us and work with you to reach the best solution for your project.

## Our values



### Right thing, right now

- Integrity, fairness & respect is non-negotiable
- Act professionally & be authentic
- Be a role model; for each other, & the brand



### Together we win

- One team; whatever your role, wherever you are
- Every interaction must be a win-win
- Celebrate the successes and learn from the losses



### Dig deep when it matters

- We're diligent & dependable
- Prioritise; focus on what's important now
- Go the extra mile, do what needs to be done



### Seize the opportunity

- Better never stops; challenge the status quo
- Take action; time waits for no one
- There's a solution to every problem, & an opportunity in every challenge



DuraPanel Axis

# DURAPANEL

## Smart fencing for homes, pools and schools

Boundaryline DuraPanel tubular metal fencing offers a wide range of options for pool fencing, landscape fencing, schools and childcare centres. With high quality components and a sleek, cohesive design, DuraPanel complies with all New Zealand pool fencing regulations to keep children safe and to meet council requirements.

Our DuraPanel aluminium range is designed for durability and offers great looking property enhancement and protection at a cost effective price.

The DuraPanel range of custom made fencing offers a wide variety of styles and colours to meet specific design requirements for any project.

All DuraPanel fencing is designed to be simple and quick to install, with modular components and welded panels.

Producer statements are available for pool fencing, balustrade, and retaining wall fencing compliance.



DuraPanel Delta



DuraPanel Titan

# DURAPANEL

## Design Options

---

### Axis



Panel height ————— 1200mm  
Panel length ————— 2250mm  
Horizontal rails ——— 25x25mm  
Vertical bars ————— 50x25mm  
Vertical bar spacing — 95mm  
Post size ————— 50x25mm

### Delta



Panel height ————— 950 / 1200mm  
Panel length ————— 2250mm  
Horizontal rails ——— 40x40mm  
Vertical bars ————— 19x19mm  
Vertical bar spacing — 95mm  
Post size ————— 50x50mm

### Delta 35



Panel height ————— 1200mm  
Panel length ————— 2400mm  
Horizontal rails ——— 40x40mm  
Vertical bars ————— 19x19mm  
Vertical bar spacing — 91mm  
Post size ————— 65x65mm

### Polo



Panel height ————— 1200 / 1500 / 1800mm  
Panel length ————— 2250mm  
Horizontal rails ——— 40x40mm  
Vertical bars ————— 19x19mm  
Vertical bar spacing — 95mm  
Post size ————— 50x50 / 65x65mm

### Titan



Panel height ————— 1200m  
Panel length ————— 2330mm  
Horizontal rails ——— 50x25mm  
Vertical bars ————— 19x19mm  
Vertical bar spacing — 93mm  
Post size ————— 65x65mm

### Vecta



Panel height ————— 1200 / 1500mm  
Panel length ————— 2250mm  
Horizontal rails ——— 40x40mm  
Vertical bars ————— 19x19mm  
Vertical bar spacing — 95mm  
Post size ————— 50x50mm

*Reversible, can be installed with rods facing down*

\*To comply with **F4** (Safety From Falling) and **F9** (Pool Fencing) **NZBC** requirements, all product must be installed as per Boundaryline's PS1  
More information about DuraPanel and compliance is available at [boundaryline.co.nz](http://boundaryline.co.nz)



# Design Features



## High Quality

Powder coated finish is standard in black with custom options available

## Quick & Simple Installation

Modular system with screw on brackets

## Strong Rails

40x40mm rails  
(Titan - 50x25mm)

## Square Verticals

19x19mm for added strength and better appearance

## Raking Options

Rakeable options to meet sloping ground

## Pool Safety Design

Keeps children safe and meets all regulations.  
*Refer to PS1 for guidance*

## F4 and F9 Compliance\*

F4 and F9 Compliance for some DuraPanel Designs.  
*Refer to PS1 for guidance*



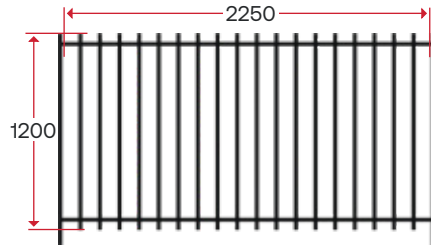
For more inspiration, scan the QR code or visit <https://www.boundaryline.co.nz/inspiration/>

# DURAPANEL

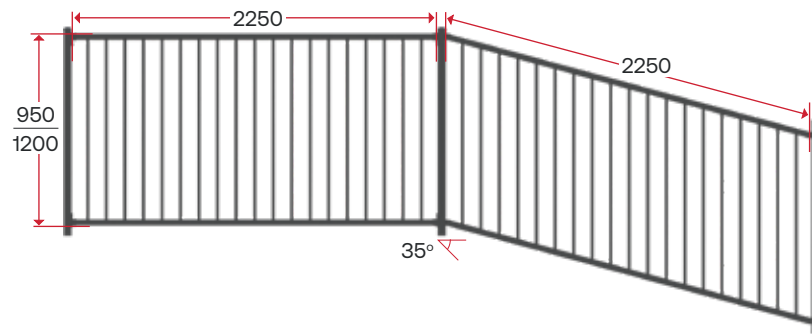
## Technical Drawings

---

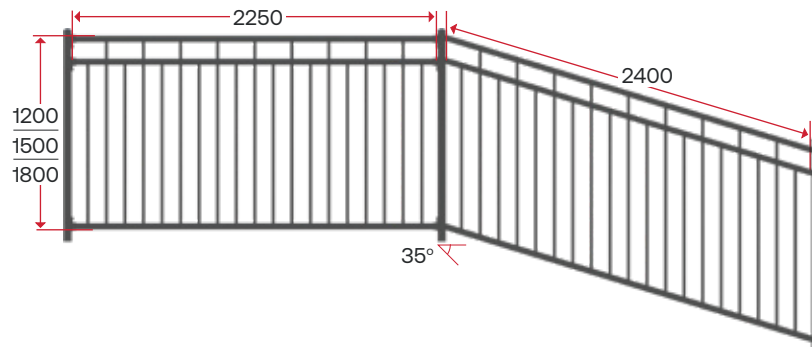
Axis



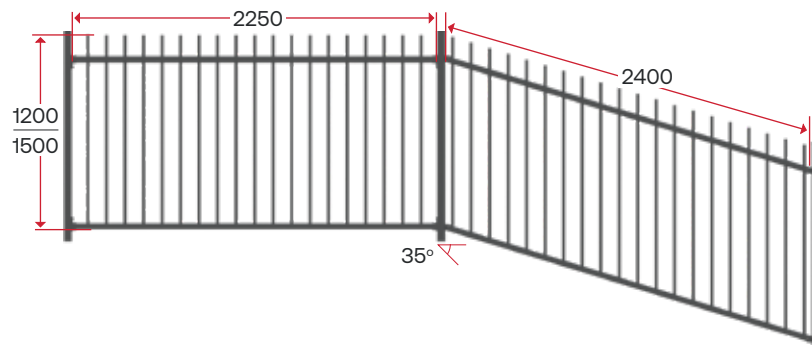
Delta



Polo



Vecta



\*To comply with **F4** (Safety From Falling) and **F9** (Pool Fencing) **NZBC** requirements, all product must be installed as per Boundaryline's PS1  
More information about DuraPanel and compliance is available at [boundaryline.co.nz](http://boundaryline.co.nz)

# Safety Fencing

## F4 Safety From Falling compliant

For some applications extra strength is required. In our DuraPanel range we have design engineered the Delta 35 and Titan safety fencing with extra reinforcement to comply with F4 Safety From Falling Compliance, when installed to manufacturers specifications. It is New Zealand's first aluminium safety fence that can be installed at 2400mm centres while meeting the NZBC F4 specification requirements.



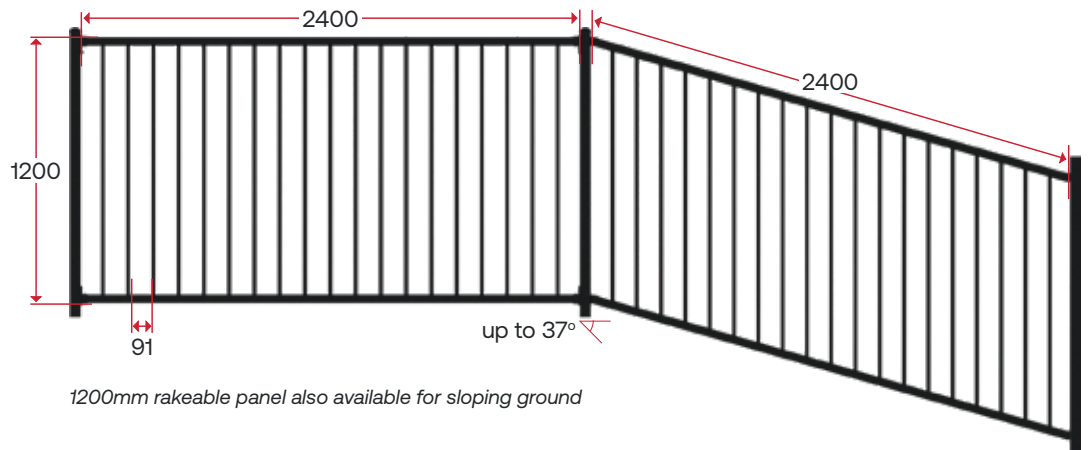
## Delta 35

### Specifications

**Panel heights:**  
1200mm

**Panel lengths:**  
2400mm

**Post Centre:**  
2470mm max post centres with  
65x65mm posts



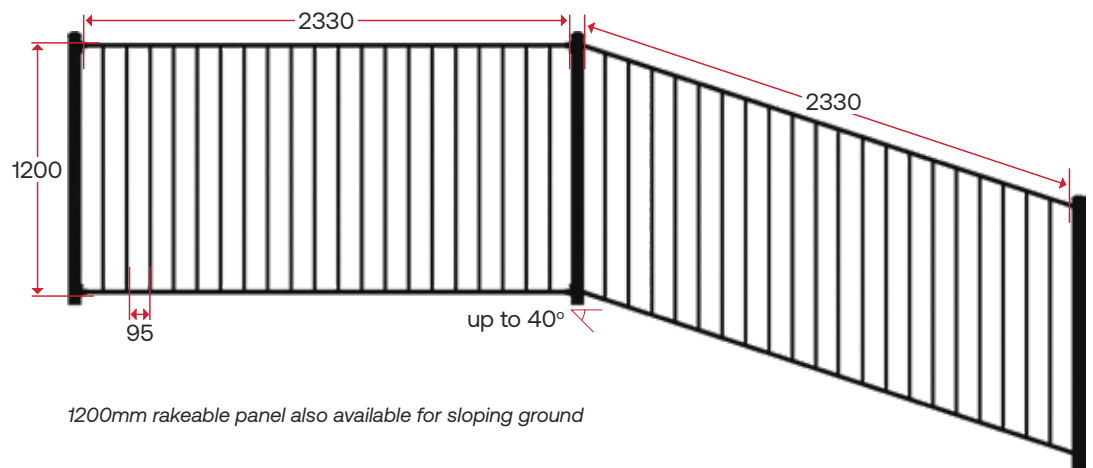
## Titan

### Specifications

**Panel height:**  
1200mm

**Panel lengths:**  
2330mm

**Post Centre:**  
2400mm max post centres with  
65x65mm posts



## Fixing Solutions



Side fixed to concrete



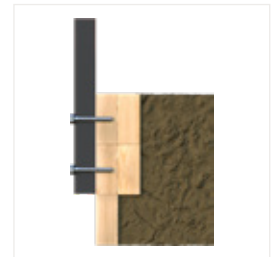
Top fixed to timber deck



Side fixed to timber deck



Side fixed to single board retaining wall



Side fixed to double board retaining wall

Drawings are indicative only. Refer to DuraPanel PS1 for details

# DURAPANEL

## Pedestrian & Driveway Gates

### Axis



Height \_\_\_\_\_ 1200mm  
Length \_\_\_\_\_ 950mm  
Horizontal rail \_\_\_\_\_ 25x25mm  
Vertical bars \_\_\_\_\_ 50x25mm  
Stiles \_\_\_\_\_ 50x25mm



Height \_\_\_\_\_ 1200mm  
Length \_\_\_\_\_ 1000 - 2300mm  
Horizontal rail \_\_\_\_\_ 50x50mm  
Vertical bars \_\_\_\_\_ 50x25mm  
Stiles \_\_\_\_\_ 50x50mm

### Delta



Height \_\_\_\_\_ 950 / 1200mm  
Length \_\_\_\_\_ 950 / 1200mm  
Horizontal rail \_\_\_\_\_ 40x40mm  
Vertical bars \_\_\_\_\_ 19x19mm  
Stiles \_\_\_\_\_ 50x50/40x40mm



Height \_\_\_\_\_ 950 / 1200mm  
Length \_\_\_\_\_ 1000 - 2300mm  
Horizontal rail \_\_\_\_\_ 40x40mm  
Vertical bars \_\_\_\_\_ 19x19mm  
Stiles \_\_\_\_\_ 50x50mm

### Polo



Height \_\_\_\_\_ 1200 / 1500 / 1800mm  
Length \_\_\_\_\_ 950mm  
Horizontal rail \_\_\_\_\_ 40x40mm  
Vertical bars \_\_\_\_\_ 19x19mm  
Stiles \_\_\_\_\_ 50x50mm



Height \_\_\_\_\_ 1200 / 1500 / 1800mm  
Length \_\_\_\_\_ 1000 - 2300mm  
Horizontal rail \_\_\_\_\_ 40x40mm  
Vertical bars \_\_\_\_\_ 19x19mm  
Stiles \_\_\_\_\_ 50x50mm

### Titan



Height \_\_\_\_\_ 1200mm  
Length \_\_\_\_\_ 950mm  
Horizontal rail \_\_\_\_\_ 50x25mm  
Vertical bars \_\_\_\_\_ 19x19mm  
Stiles \_\_\_\_\_ 50x50mm



Height \_\_\_\_\_ 1200mm  
Length \_\_\_\_\_ 1000 - 2300mm  
Horizontal rail \_\_\_\_\_ 50x25mm  
Vertical bars \_\_\_\_\_ 19x19mm  
Stiles \_\_\_\_\_ 50x50mm

### Vecta



Height \_\_\_\_\_ 1200 / 1500mm  
Length \_\_\_\_\_ 950mm  
Horizontal rail \_\_\_\_\_ 40x40mm  
Vertical bars \_\_\_\_\_ 19x19mm  
Stiles \_\_\_\_\_ 50x50mm



Height \_\_\_\_\_ 1200 / 1500mm  
Length \_\_\_\_\_ 1000 - 2300mm  
Horizontal rail \_\_\_\_\_ 40x40mm  
Vertical bars \_\_\_\_\_ 19x19mm  
Stiles \_\_\_\_\_ 50x50mm

## Sliding Gates

### Axis



Height \_\_\_\_\_ 1200mm  
Length \_\_\_\_\_ up to 6000mm\*  
Horizontal rail \_\_\_\_\_ 50x50mm  
Vertical bars \_\_\_\_\_ 50x25mm  
Stiles \_\_\_\_\_ 50x50mm

### Delta



Height \_\_\_\_\_ 950 / 1200mm  
Length \_\_\_\_\_ up to 6000mm\*  
Horizontal rail \_\_\_\_\_ 40x40mm  
Vertical bars \_\_\_\_\_ 19x19mm  
Stiles \_\_\_\_\_ 50x50mm

### Polo



Height \_\_\_\_\_ 1200 / 1500 / 1800mm  
Length \_\_\_\_\_ up to 6000mm\*  
Horizontal rail \_\_\_\_\_ 40x40mm  
Vertical bars \_\_\_\_\_ 19x19mm  
Stiles \_\_\_\_\_ 50x50mm

### Titan



Height \_\_\_\_\_ 1200mm  
Length \_\_\_\_\_ up to 6000mm\*  
Horizontal rail \_\_\_\_\_ 50x25mm  
Vertical bars \_\_\_\_\_ 19x19mm  
Stiles \_\_\_\_\_ 50x50mm

### Vecta



Height \_\_\_\_\_ 1200 / 1500mm  
Length \_\_\_\_\_ up to 6000mm\*  
Horizontal rail \_\_\_\_\_ 40x40mm  
Vertical bars \_\_\_\_\_ 19x19mm  
Stiles \_\_\_\_\_ 50x50mm (mid stile 40x40)

\*Longer sliding gates are available



# PICKETPANEL

## Modern take on traditional fencing

PicketPanel embraces the nostalgia of the traditional picket fence, while providing a refined architectural range of contemporary options suited to the modern environment and today's busy lifestyle.

A durable interpretation of the symbolic family home boundary, blending the romance of days gone by with design and construction fit for the next generation.

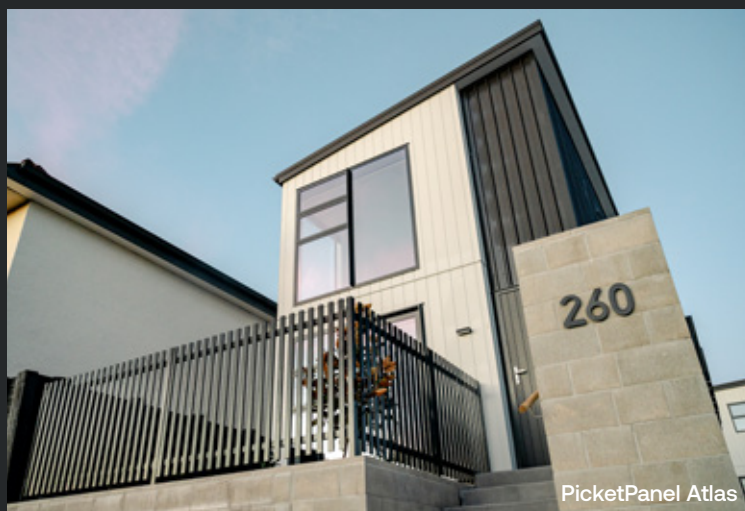
Designed in consultation with industry partners to meet the needs of New Zealand's increase in medium density housing developments.



PicketPanel Atlas



PicketPanel Opus



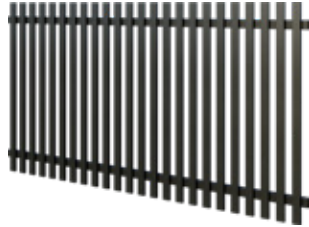
PicketPanel Atlas

# PICKETPANEL

## Design Options

---

### Atlas



Panel height ————— 950 / 1200 / 1500 / 1800mm  
Panel length ————— 2430mm  
Picket size ————— 50x16mm  
Picket spacing ————— 50mm  
Panel profile ————— Aluminium picket  
Post size ————— 50x50mm

### Juno



Panel height ————— 950 / 1200 / 1500 / 1800mm  
Panel length ————— 2430mm  
Picket size ————— 70x16mm  
Picket spacing ————— 30mm  
Panel profile ————— Aluminium picket  
Post size ————— 65x65mm

### Opus



Panel height ————— 950 / 1200 / 1500 / 1800mm  
Panel length ————— 2430mm  
Picket size ————— 50x16 & 70x16mm  
Picket spacing ————— 40 & 50mm  
Panel profile ————— Aluminium picket  
Post size ————— 50x50mm

### Forte



Panel height ————— 950 / 1200 / 1500 / 1800mm  
Panel length ————— 2430mm  
Picket size ————— 50x16 & 70x16mm  
Picket spacing ————— 30, 40 & 50mm  
Panel profile ————— Aluminium picket  
Post size ————— 50x50mm

### Rondo



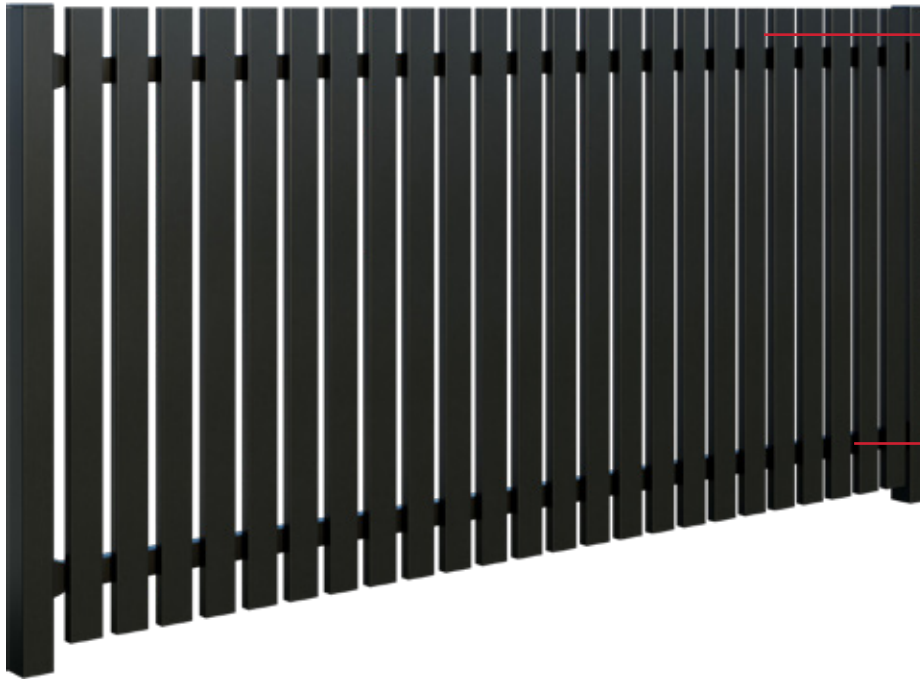
Panel height ————— 950 / 1200 / 1500 / 1800mm  
Panel length ————— 2430mm  
Picket size ————— 70x16mm  
Picket spacing ————— 30mm  
Panel profile ————— Aluminium picket  
Post size ————— 65x65mm

---

\*To comply with **F4** (Safety From Falling) and **F9** (Pool Fencing) **NZBC** requirements, all product must be installed as per Boundaryline's PS1  
More information about PicketPanel and compliance is available at [boundaryline.co.nz](http://boundaryline.co.nz)



# Design Features



## Traditional Style Pickets

Inspired by the traditional picket fence

## Aluminium Construction

Strength, durability and low maintenance

## Quick and Simple Installation

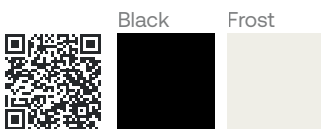
Modular system with screw on brackets

## Raking Design

All panels are constructed to rake to meet sloping ground

## F4 and F9 Compliance\*

F4 and F9 Compliance for some PicketPanel Designs. Refer to PS1 for guidance

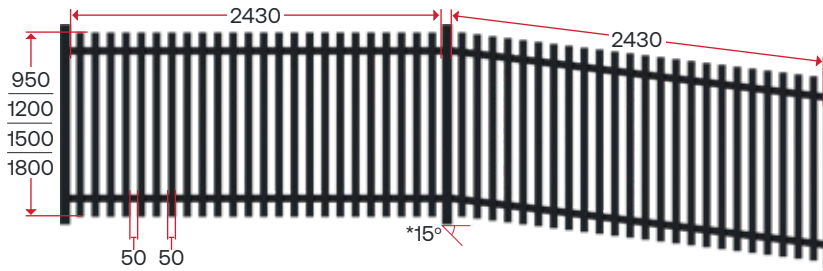


For more inspiration, scan the QR code or visit <https://www.boundaryline.co.nz/inspiration/>

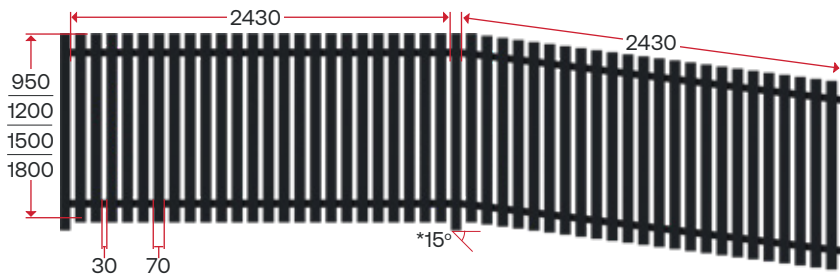
# PICKETPANEL

## Technical Drawings

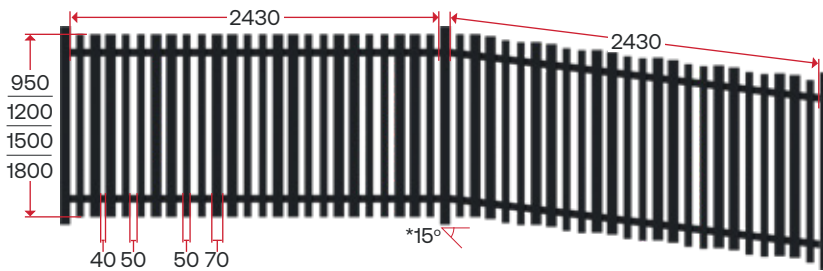
Atlas



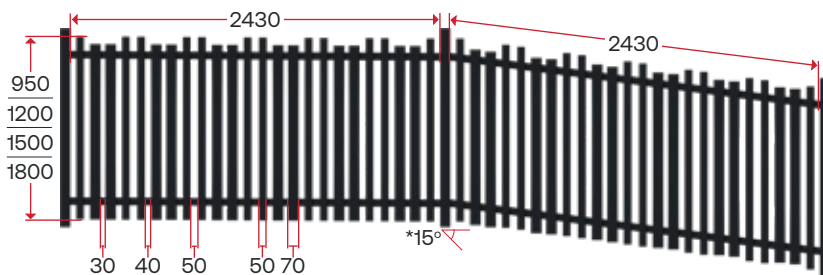
Juno



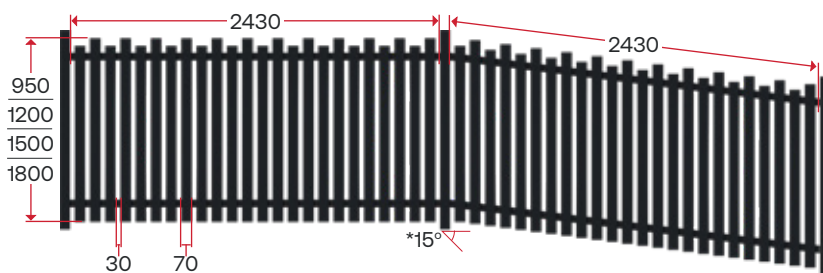
Opus



Forte



Rondo



\*Panel can rake to 15° by default and can rake further with adjustments to the rail and picket placement

\*To comply with **F4** (Safety From Falling) and **F9** (Pool Fencing) **NZBC** requirements, all product must be installed as per Boundaryline's PS1  
More information about PicketPanel and compliance is available at [boundaryline.co.nz](http://boundaryline.co.nz)

# Raking Panels

The unique design of PicketPanel allows for the panels to be installed on sloping ground.

The panels can rake to 15 degrees by default, with capability to rake further with adjustments to the rails and picket positions.



PicketPanel Rondo (Raking)



PicketPanel Opus



PicketPanel Opus



# SENTRY PANEL

## New Zealand's premium security fencing

Boundaryline SentryPanel is designed to provide superior protection for your investment while looking great at the same time.

The Spear Top option has sharply spiked bars to deter intruders, and Rod Top provides the same security without looking too unfriendly. Both styles have a long anti-climb gap, making it a virtually unscalable barrier.

SentryPanel is constructed from heavy wall aluminium componentry, welded for strength and powder coated for long term durability. The modular design and comparatively light panel weight makes installation quick and easy.

SentryPanel is a smart, cost effective security fencing solution for all types of commercial property.



SentryPanel Spear Top



SentryPanel School Panel



SentryPanel Rod Top

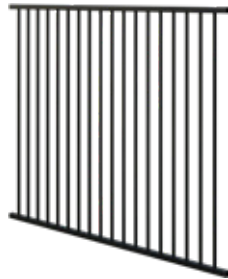


# SENTRY PANEL

## Design Options

---

### Flat Top



Panel height — 1500 / 1800mm  
Panel length — 2250mm  
Horizontal rails — 40x40mm  
Vertical bars — 25x25mm  
Vertical bar spacing — 95mm  
Post size — 65x65mm

*Custom manufactured steel products available on request*

---

### Rod Top



Panel height — 1800mm  
Panel length — 2250mm  
Horizontal rails — 40x40mm  
Vertical bars — 25x25mm  
Vertical bar spacing — 110mm  
Post size — 65x65mm

### Spear Top



Panel height — 1800 / 2100mm  
Panel length — 2250mm  
Horizontal rails — 40x40mm  
Vertical bars — 25x25mm  
Vertical bar spacing — 110mm  
Post size — 65x65mm

### School Panel



Panel height — 1500 / 1800mm  
Panel length — 2250mm  
Horizontal rails — 40x40mm  
Vertical bars — 25x25mm  
Vertical bar spacing — 95mm  
Post size — 65x65mm

*Custom manufactured steel products available on request*

---

# Design Features



## Intruder Deterrent

Spear Top and Rod Top options to deter potential intruders

## High Quality

Powder coated finish is standard in black with custom options available

## Quick & Simple Installation

Modular system with screw on brackets

## Strong Rails

40x40mm rails

## Square Verticals

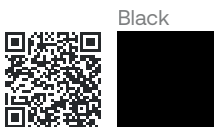
25x25mm for added strength and better appearance

## Aluminium Construction

This fence won't rust

## F4 and F9 Compliance\*

F4 and F9 Compliance for some SentryPanel Designs. Refer to PS1 for guidance



SentryPanel School Panel



SentryPanel Spear Top

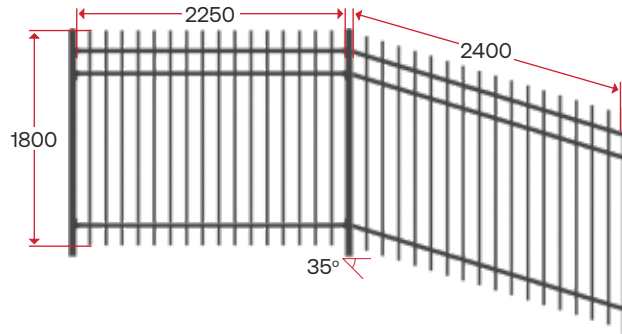
For more inspiration, scan the QR code or visit <https://www.boundaryline.co.nz/inspiration/>

# SENTRY PANEL

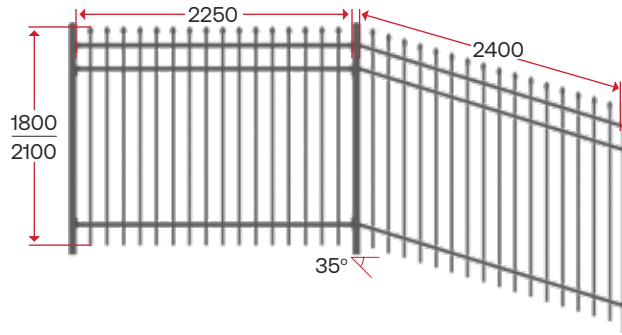
## Technical Drawings

---

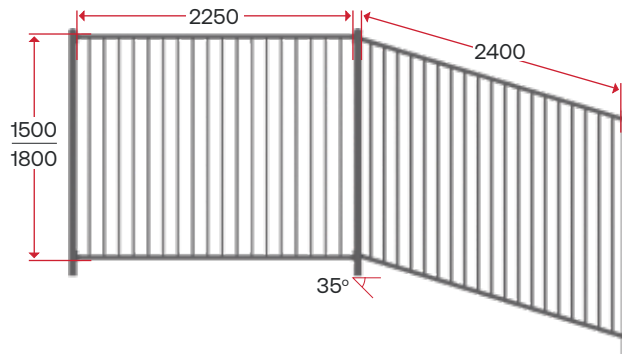
Rod Top



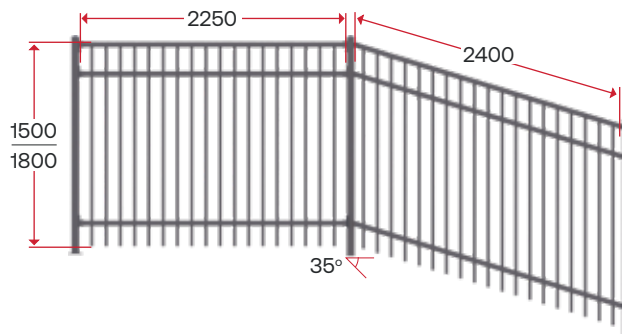
Spear Top



Flat Top



School Panel



\*To comply with **F4** (Safety From Falling) and **F9** (Pool Fencing) **NZBC** requirements, all product must be installed as per Boundaryline's PS1  
More information about SentryPanel and compliance is available at [boundaryline.co.nz](http://boundaryline.co.nz)



# Security Gate Solutions

**Many commercial and industrial properties require a high level of security to limit unauthorised access.**

Boundaryline works with construction companies, property owners and designers all over New Zealand to deliver reliable security gate solutions for all kinds of applications.

SentryPanel gates are manufactured using standard in stock componentry to achieve a quick, cost effective solution that will perform to perfection for the long term.

Visit [boundaryline.co.nz](http://boundaryline.co.nz) to download Producer Statements, Technical Support and CAD drawing files.

## Swinging gates

Swinging gates are the most cost effective option when there is enough opening space or when the entrance way is not level. They can be automated if required but are usually used when the gates are not opened frequently

## Tracked sliding gates

Where traffic is relatively light but a sliding gate is required, a tracked gate provides a cost effective solution. The ground track is very low profile and this type can be used with or without an automated opener

## Cantilever sliding gates

Boundaryline has had extensive experience in designing and building cantilevered sliding gates. With no ground track required, a cantilevered gate is ideal for industrial situations that have heavy traffic or where the entrance way is not level

## Custom designs

We can supply custom made gates to meet your design requirements

For Flat Top and School Panel fencing to comply with **F4** and **F9 NZBC** requirements, all product must be installed as per Boundaryline's PS1, available at [boundaryline.co.nz/technical-resources](http://boundaryline.co.nz/technical-resources)



SentryPanel Spear Top



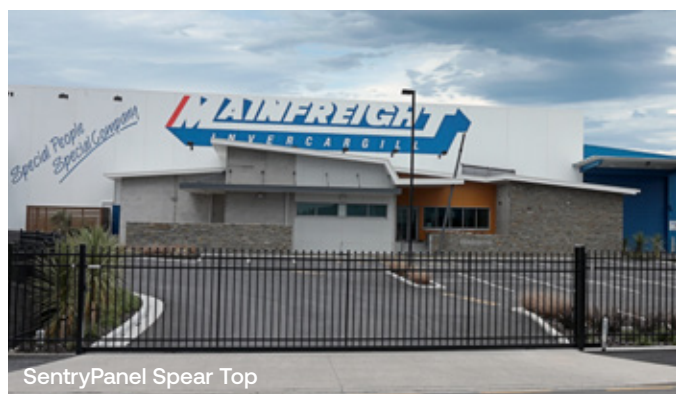
SentryPanel Spear Top



SentryPanel Spear Top



SentryPanel Spear Top



SentryPanel Spear Top



# COLOURPANEL

## Setting the standard in residential fencing

For great looking, low maintenance privacy fencing, Boundaryline ColourPanel sets the standard throughout New Zealand. No more twisted or rotten timber fences.

ColourPanel is truly a same-both-sides fence, which makes it ideal for urban properties since both neighbours get the 'good' side of the fence.

ColourPanel is made from a prefinished steel commonly used for roofing which is durable and stable. It will not warp and twist like a traditional timber fence, even when a dark colour is used in any climate.

Installation is very quick and simple, with modular, colour matched components. Even DIY customers will be impressed with how easy it is to get the job done!

To maintain the same look as the day it was installed, all ColourPanel needs is the occasional wash down. No painting or staining required.



ColourPanel Classic



ColourPanel Classic

ColourPanel Classic

# COLOURPANEL

## Design Options

---

### Classic



Panel height ————— 1200 / 1500 / 1800 / 2100mm  
Post centres ————— 2380mm  
Panel profile ————— Reflect panel  
Post size ————— 65x50mm C-Post

### Slat Top



Panel height ————— 1200 / 1500 / 1800 / 2100mm  
Post centres ————— 2380mm  
Panel profile ————— Reflect panel with 300mm slat panel  
Post size ————— 65x50mm C-Post

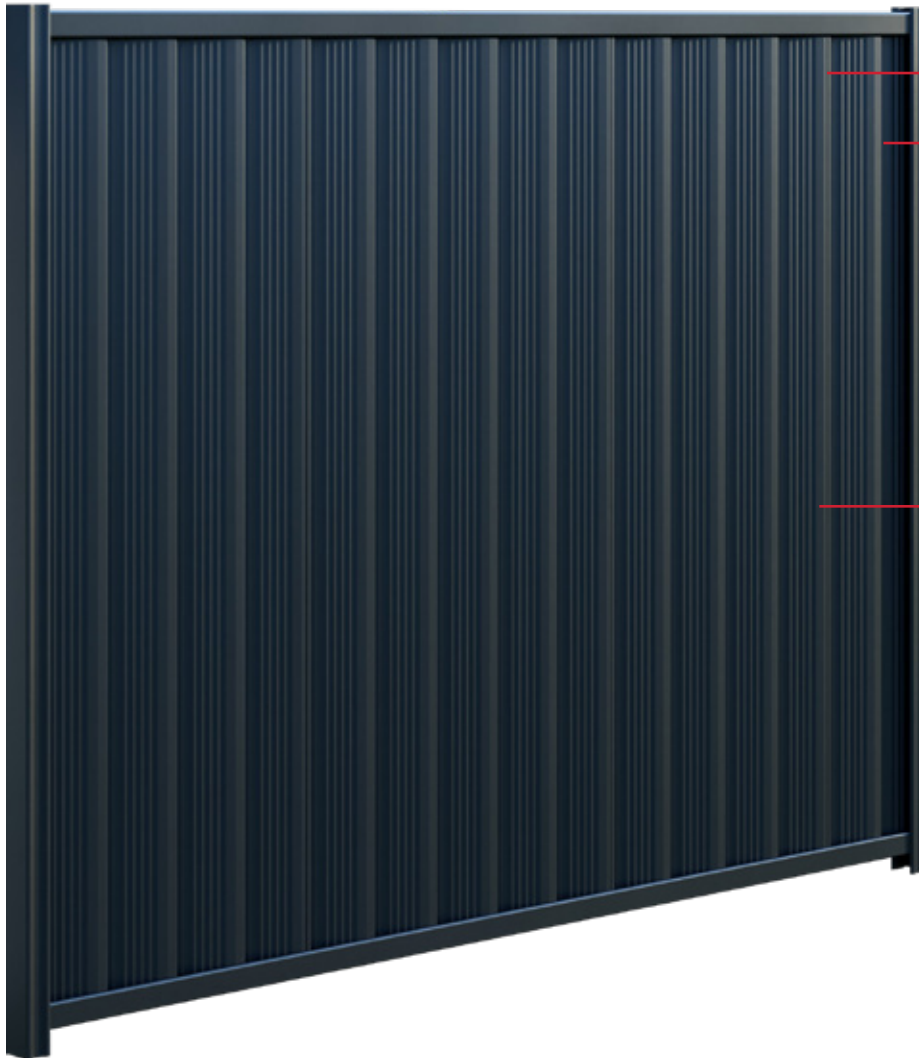
### Pedestrian Gate



Gate height ————— 1200 / 1500 / 1800mm  
Gate width ————— 870mm  
Panel profile ————— Reflect panel

*Kitset includes 2x gate stiles, 1x reflect sheet, 1x rail, tek screws and standard gate hardware*

# Design Features



## Pre-Finished Components

All parts are colour matched

## High Quality

Powder coated finish.  
Standard in black

## Quick & Simple Installation

Cost effective modular system

## Ultra Low Maintenance

The fence that never needs painting or staining

## Same Both Sides

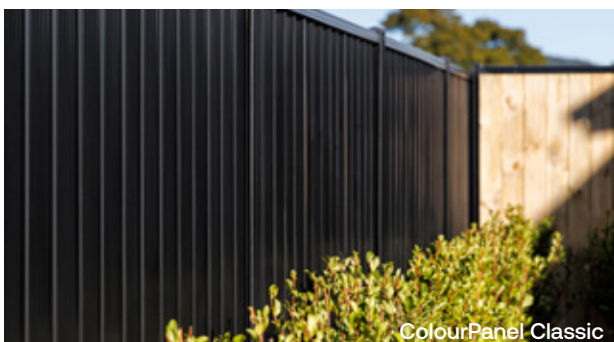
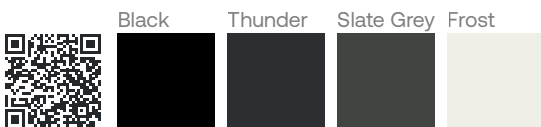
Both neighbours get the 'good' side of the fence

## Complete Privacy

No gaps in the panels

## F4 and F9 Compliance\*

F4 and F9 Compliance for some ColourPanel Designs.  
*Refer to PS1 for guidance*



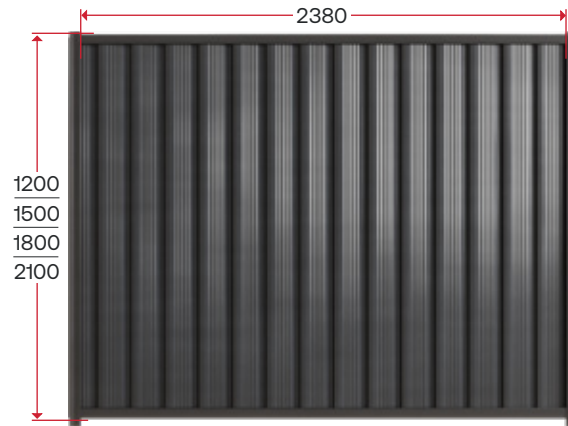
For more inspiration, scan the QR code or visit <https://www.boundaryline.co.nz/inspiration/>

# COLOURPANEL

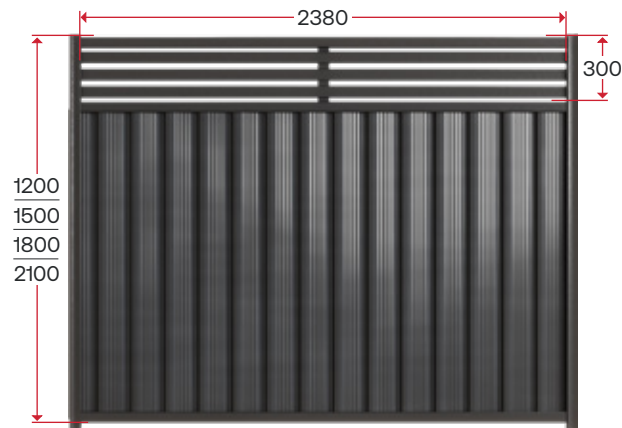
## Technical Drawings

---

Classic



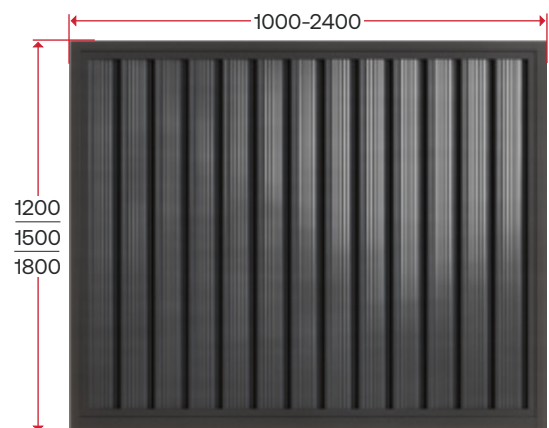
Slat Top



Gates



Pedestrian Gate  
(Kitset)



Driveway Gate

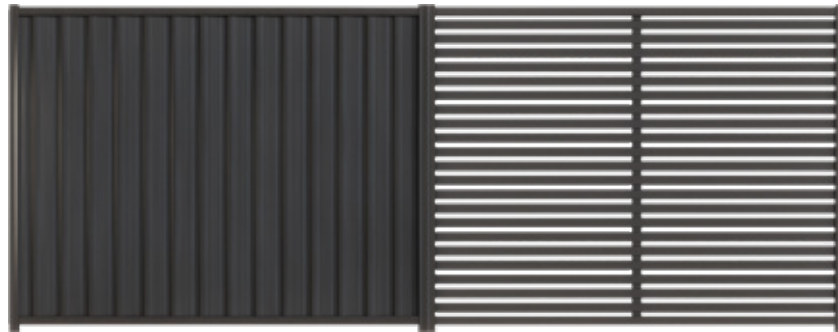
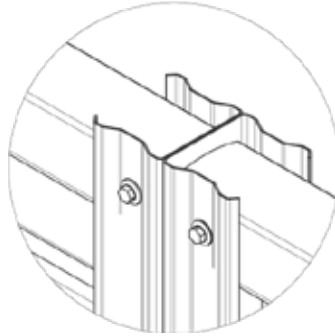
---

\*To comply with **F4** (Safety From Falling) and **F9** (Pool Fencing) **NZBC** requirements, all product must be installed as per Boundaryline's PS1  
More information about ColourPanel and compliance is available at [boundaryline.co.nz](http://boundaryline.co.nz)

# Integration Options

The ColourPanel C-post and rail system allows for seamless integration of ColourSlat fencing within any fenceline allowing permeable slat panels to be integrated with solid panels.

SmartWall also utilises the same C-post and rail system and is another integration option.





ColourSlat Steel



# COLOURSLAT

## Smart integrated privacy screening

Boundaryline ColourSlat is the ideal choice for screening outdoor living areas and courtyards, as it allows natural light penetration while providing privacy.

For long term durability and a great appearance, choose the standard steel ColourSlat. This is a complete system using prefinished steel components and will not fade, warp or twist.

If you are looking for an alternative to an all steel fence, ColourSlat with timber slats will meet your requirements. The timber slats are manufactured from high grade Radiata Pine and can be stained to the colour of your choice.

ColourSlat is designed to seamlessly integrate with ColourPanel fencing, or it can be installed as a stand-alone fencing system.



ColourSlat Timber



ColourSlat Steel

# COLOURSLAT

## Design Options

---

Steel



- Panel height ————— 1200 / 1500 / 1800mm
- Panel length ————— 2380mm
- Slat size ————— 55x7.5mm
- Slat spacing ————— 25mm
- Material ————— Steel
- Post size ————— 65x50mm C-Post

Timber



- Panel height ————— 1200 / 1500 / 1800mm
- Panel length ————— 2380mm
- Slat size ————— 70x12mm
- Slat spacing ————— 11mm
- Material ————— Timber, Treated Radiata Pine
- Post size ————— 65x50mm C-Post



# Design Features



## Ideal For Screening

Provides privacy without being closed in

## Pre-Finished Components

All steel parts are colour matched

## Long Term Durability

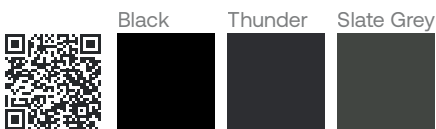
## Quick & Simple Installation

All modular components and minimal site disturbance

## Modular Components

## C-post Integration

Can be integrated with ColourPanel, SmartWall and SleekWall



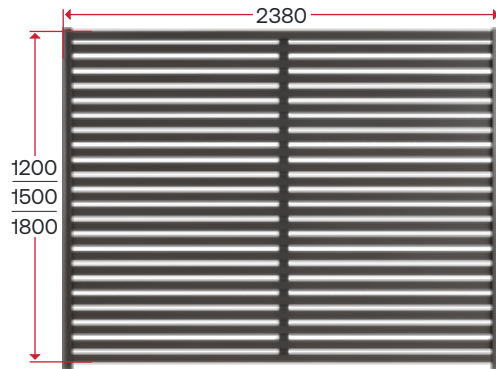
For more inspiration, scan the QR code or visit <https://www.boundaryline.co.nz/inspiration/>

# COLOURSLAT

## Technical Drawings

---

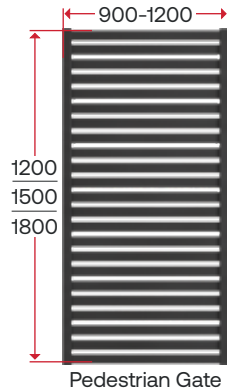
Steel



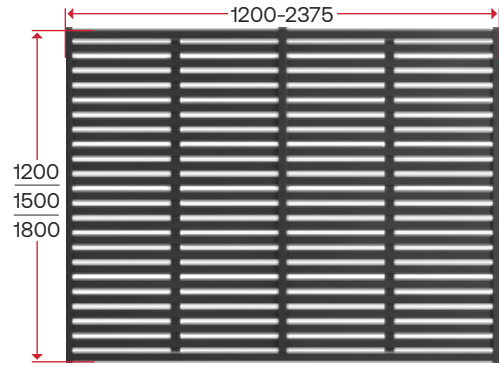
Timber



Steel Gate

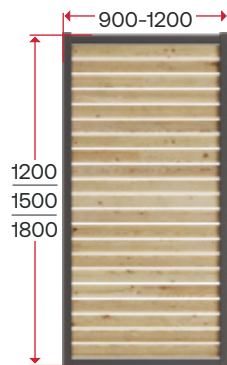


Pedestrian Gate



Driveway Gate

Timber Gate



Pedestrian Gate

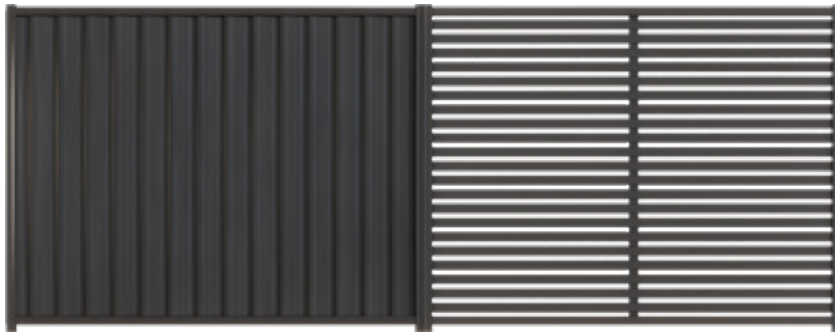
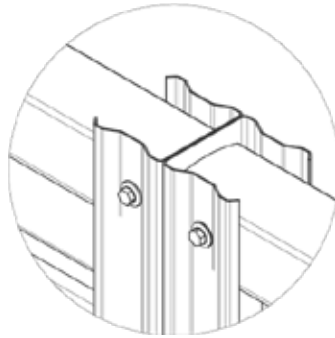


Driveway Gate

# Integration Options

The ColourSlat C-post and rail system allows for seamless integration of ColourPanel fencing within any fenceline allowing permeable slat panels to be integrated with solid panels.

SmartWall also utilises the same C-post and rail system and is another integration option.



SmartWall Vertical | ColourSlat Steel



ColourSlat Steel



SmartWall Vertical

# SMARTWALL

## Blending seamlessly with natural surroundings



Create beautiful natural boundaries to complement your new landscape with Boundaryline's smart alternative for timber fencing.

SmartWall features steel posts and rails with CLT (Cross Laminated Timber) palings to prevent twisting and warping over time, ensuring you have a premium looking boundary solution for years to come.

With CLT palings and the same-both-sides look, SmartWall creates a tidy, elegant finish with ultimate stability for every project.



The superior acoustic performance of SmartWall makes it the ideal choice for residential and commercial projects including child care centres and rest homes where noise minimisation is a requirement.

The modular construction makes SmartWall one of the easiest and fastest fences to install, saving you time and money.

# SMARTWALL

## Design Options

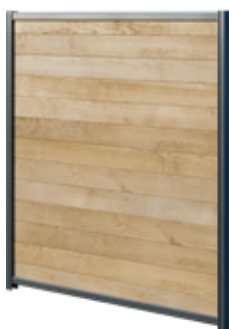
---

### Vertical



Panel height ————— 1800mm  
Post Centre ————— 2250mm  
Paling profile ————— CLT palings  
Post size ————— 65x50mm C-Post

### Horizontal



Panel height ————— 1200 / 1500 / 1800mm  
Post Centre ————— 1830mm  
Paling profile ————— CLT palings  
Post size ————— 65x50mm C-Post

### Slat Top



Panel height ————— 1200 / 1500 / 1800mm  
Post Centres *horizontal*- 1830mm  
Post Centres *vertical*— 2250mm  
Paling profile ————— CLT palings  
Post size ————— 65x50mm C-Post

---

\*To comply with **F4** (Safety From Falling) and **F9** (Pool Fencing) **NZBC** requirements, all product must be installed as per Boundaryline's PS1  
More information about SmartWall and compliance is available at [boundaryline.co.nz](http://boundaryline.co.nz)



# Design Features



## Complete Privacy

CLT (Cross Laminated Timber) palings are tongue and groove to prevent any gaps

## Ultimate Stability Radiata Pine

CLT palings for ultimate stability

## Stainable Palings

Palings can be stained or painted, just like a traditional timber fence

## Structural Integrity

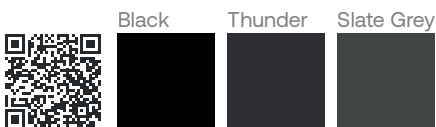
Pre-finished steel posts and rails prevents twisting and warping over time

## Superior Acoustic Properties

Ideal for the reduction of noise beside busy roads and child care centres

## F4 and F9 Compliance\*

F4 and F9 Compliance for some SmartWall Designs. Refer to PS1 for guidance



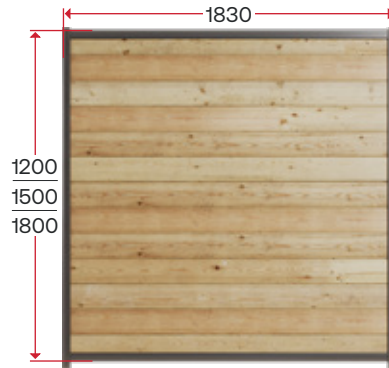
For more inspiration, scan the QR code or visit <https://www.boundaryline.co.nz/inspiration/>

# SMARTWALL

## Technical Drawings

---

Horizontal



Vertical



Slat Top



Pedestrian  
Gates



\*To comply with **F4** (Safety From Falling) and **F9** (Pool Fencing) **NZBC** requirements, all product must be installed as per Boundaryline's PS1  
More information about SmartWall and compliance is available at [boundaryline.co.nz](http://boundaryline.co.nz)

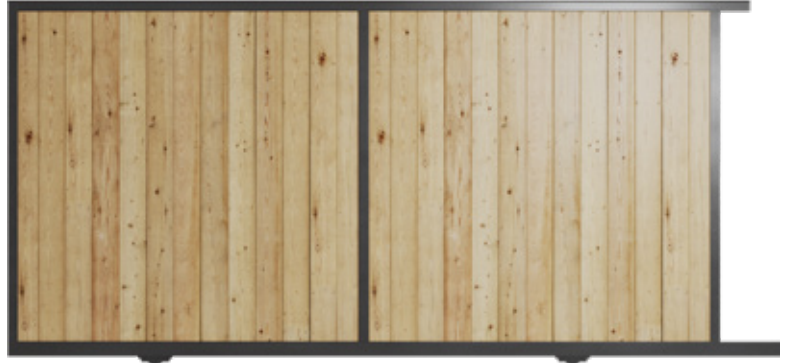
# Custom Gate Solutions

## Driveway Gates

Double swing or sliding gate configurations custom manufactured on request



Swing Gate



Sliding Gate



SmartWall Vertical Slat top

## Acoustic Properties

The acoustic properties of SmartWall makes it the ideal choice for medium density housing, childcare centres and homes located near busy roads. Visit [boundaryline.co.nz](http://boundaryline.co.nz) to download SmartWall acoustic performance report.

## CLT palings

Cross Laminated Timber (CLT) palings are a cross laminated timber plank developed using high performance European glue lamination technology.

The gluing of three layers of timber, with the middle layer the opposite orientation to the outer layers, provides maximum stability and strength, reducing the twisting and warping that is common in traditional timber fencing.

Mini CLT planks are treated using the environmentally preferable MicroPro timber treatment, which is GreenGuard certified for use in play areas and child care centres for children of all ages.



SmartWall Vertical | DuraPanel Polo



SleekWall Slat & Solid Vertical

# SLEEKWALL

## The premium fence and screen solution

The premium design in fencing, Boundaryline SleekWall is for the designers and discerning homeowners who want to make their boundary a feature and a statement.

Designed to be quick and simple to install, with modular components and hidden fixings, SleekWall provides the ultimate minimalist look.

Add value to your home with contemporary fencing, featuring strong aluminium construction, with no twisting or warping, and low maintenance. SleekWall provides you with options; solid, slat or slat top.

It's the modern fence you'll love forever.



SleekWall Slat Horizontal



SleekWall Solid Vertical

# SLEEKWALL

## Design Options

---

### Horizontal Slat



Panel height ————— 1200 / 1500 / 1800mm  
Post centres ————— 1865mm  
Slat size ————— 100x16mm  
Slat spacing ————— 18mm  
Panel profile ————— Aluminium slat  
Post size ————— 65x65mm

---

### Vertical Slat



Panel height ————— 1800mm  
Post centres ————— 1837mm  
Slat size ————— 100x16mm  
Slat spacing ————— 18mm  
Panel profile ————— Aluminium slat  
Post size ————— 65x65mm

---

### Horizontal Solid



Panel height ————— 1200 / 1500 / 1800mm  
Post centres ————— 1865mm  
Paling size ————— 145x16mm  
Panel profile ————— Aluminium paling  
Post size ————— 65x65mm

---

### Vertical Solid



Panel height ————— 1800mm  
Post centres ————— 1820mm  
Paling size ————— 145x16mm  
Panel profile ————— Aluminium paling  
Post size ————— 65x65mm

---

### Slat Top



Panel height ————— 1800mm  
Post centres ————— 1865mm  
Paling size ————— 145x16mm  
Slat size ————— 100x16mm  
Slat spacing ————— 18mm  
Panel profile ————— Aluminium paling and slat  
Post size ————— 65x65mm

---

\*To comply with **F4** (Safety From Falling) and **F9** (Pool Fencing) **NZBC** requirements, all product must be installed as per Boundaryline's PS1  
More information about DuraPanel and compliance is available at [boundaryline.co.nz](http://boundaryline.co.nz)

# Design Features



## Slats or Palings

Available with slats for screen solution or T&G palings for solid fence

## Aluminium Construction

Strength, durability and low maintenance

## Quick & Simple Installation

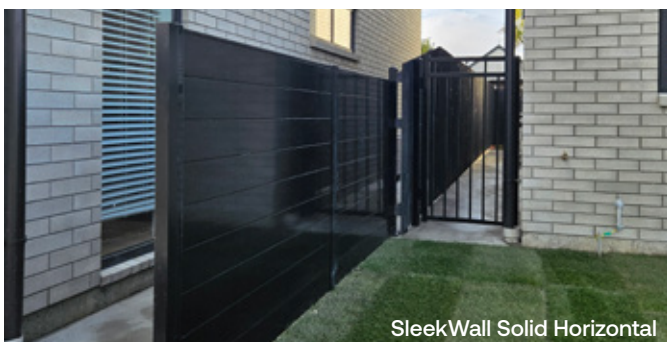
Modular system with screw on channels, one screw per paling is all that is required

## Pre-finished Modular Components

All parts are colour matched with our simple modular system and hidden fixings for a clean, refined profile

## F4 and F9 Compliance\*

F4 and F9 Compliance for some SleekWall Designs. Refer to PS1 for guidance



SleekWall Solid Horizontal



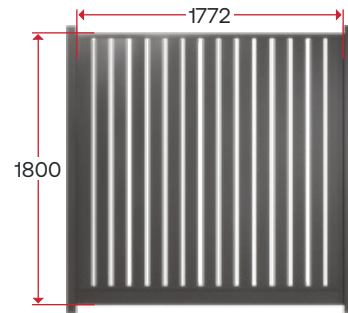
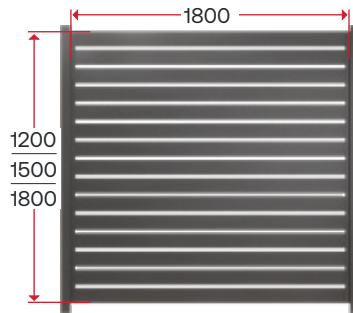
SleekWall Slat Horizontal

For more inspiration, scan the QR code or visit <https://www.boundaryline.co.nz/inspiration/>

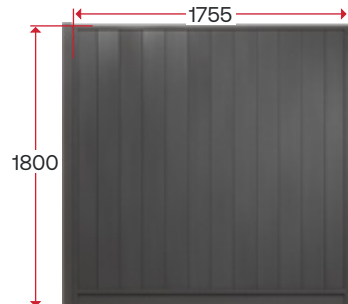
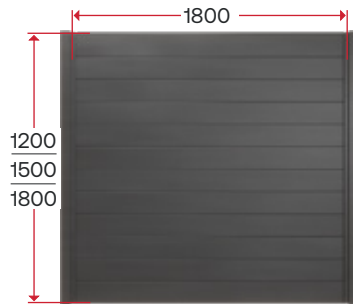
# SLEEKWALL

## Technical Drawings

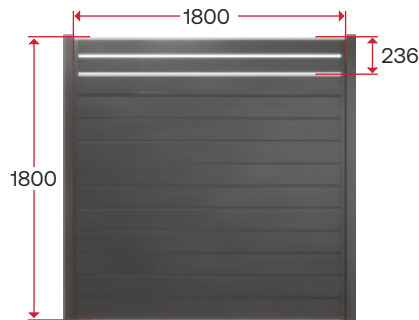
### Slat



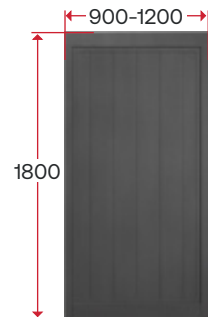
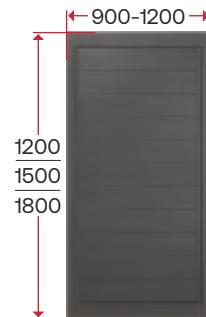
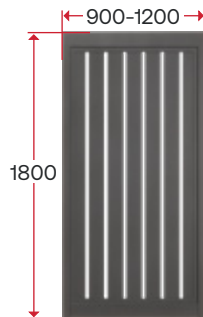
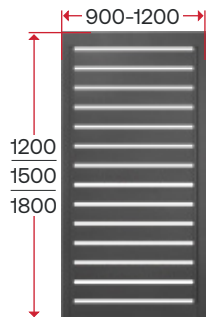
### Solid



### Slat Top

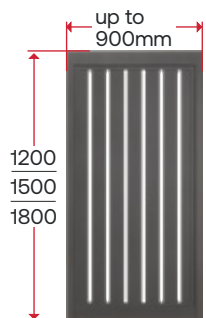


### Pedestrian Gates



### Kitset Pedestrian Gate

Kitset includes all components required to make one pedestrian gate at up to 900mm wide. Includes; slats, end-channels with capping, tek-screws and standard gate hardware.



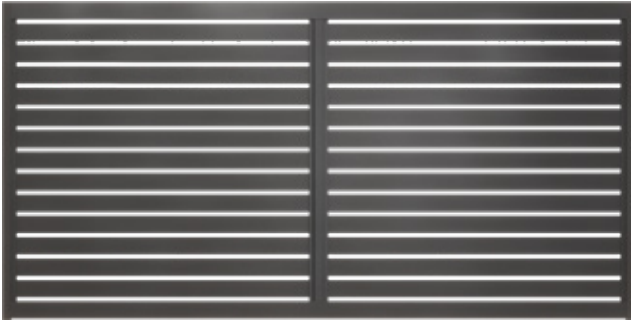
\*To comply with **F4** (Safety From Falling) and **F9** (Pool Fencing) **NZBC** requirements, all product must be installed as per Boundaryline's PS1. More information about SleekWall and compliance is available at [boundaryline.co.nz](http://boundaryline.co.nz)



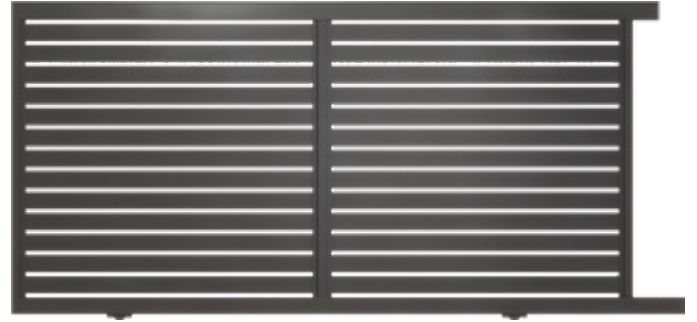
# Custom Gate Solutions

## Driveway Gates

Double swing or sliding gate configurations custom manufactured on request



Swing Gate



Sliding Gate

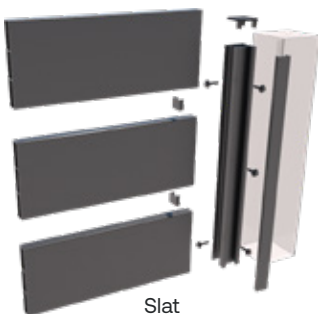
## Modular design for quick and easy installation

The SleekWall system design allows for a quick and effective installation process and all components are designed to seamlessly connect together with all fixings hidden.

By utilising the Slat and T&G options a single fenceline can have varying degrees of permeability to meet the project privacy requirements.



Solid



Slat



SleekWall Slat & Solid Vertical



# FLAMEWALL

## New Zealand's first Fire-Rated Fence System

FlameWall is New Zealand's first fire-rated fence system, specifically designed to enhance outdoor spaces while ensuring safety and compliance.

Engineered for simple installation, FlameWall is a modular solution tested to an FRR rating of -/60/-, making it ideal for structures, such as garden sheds, to be placed on a legal boundary.



Painted FlameWall with SmartWall



Painted FlameWall with SmartWall

# FLAMEWALL

## Design Options

### FlameWall



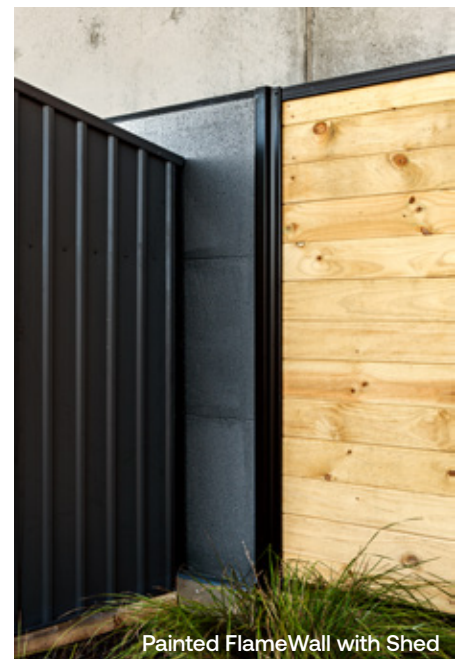
- Panel height — 1800mm + 50-400mm concrete wall
- Panel length — 2200mm
- Post centre — 2180mm
- Overall width — 2230mm
- Post size — 100x50mm C-Post
- Panel weight — 45kg



FlameWall allows for the placement of structures against the legal boundary



Painted FlameWall with SmartWall



Painted FlameWall with Shed

\*To comply with **C3** (Fire affecting areas beyond the sources) and **C6** (Structural stability) **NZBC** requirements, all product must be installed as per Boundaryline's PS1  
More information about FlameWall and compliance is available at [boundaryline.co.nz](http://boundaryline.co.nz)

# Design Features



## Fire-Rated Protection

Tested to an FRR rating of -/60/-

## Modular System

Designed for simple installation

## Space Maximisation

Optimises outdoor space

## Dual Sided Utilisation

Can be utilised on both sides of the legal boundary

## Seamless Integration

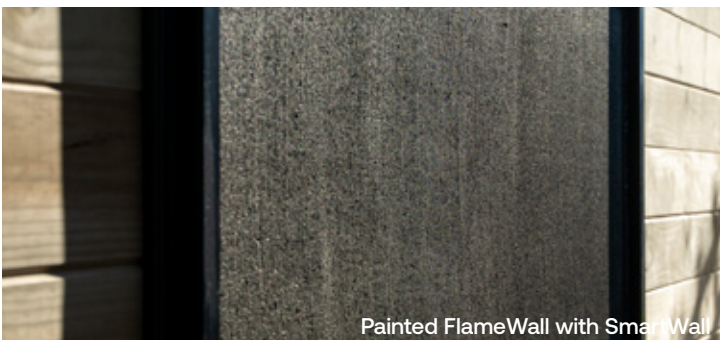
Integrates with any Boundaryline fence system

## Customisable Appearance

Paintable surface

## C3 and C6 Compliance\*

Compliant with the NZBC C6 and C6. Refer to PS1 for guidance



Painted FlameWall with SmartWall



Unpainted FlameWall with SmartWall

For more inspiration, scan the QR code or visit <https://www.boundaryline.co.nz/inspiration/>



Green Screen

# GREEN SCREEN

## Green fencing made easy



Green Screen

Green Screen is a unique mesh fence panel that is designed to support climbers and plants. Green Screen provides an initial security and barrier as a modular fence system, while the unique integrated mesh design encourages growth of climbers and provides maximum support for the most delicate plants.

Over time the fence will form a dense and uniform green wall that blends in with nature and enhances the landscape. Green Screen is a practical and great looking landscape feature for any property.

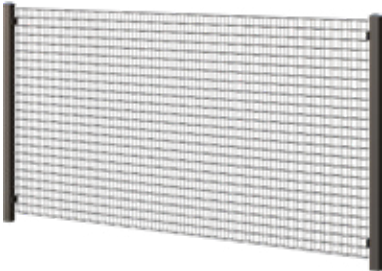
Green Screen is a component based system and easy to install between the standard slim line posts, or any column design of your choice.

# GREEN SCREEN

## Design Options

---

### Horizontal



- Panel height ————— 1220mm
- Panel length ————— 2233mm
- Panel thickness ————— 50mm
- Aperture ————— 50x50mm
- Finish ————— Powder coated
- Post size ————— 50x50mm

### Vertical

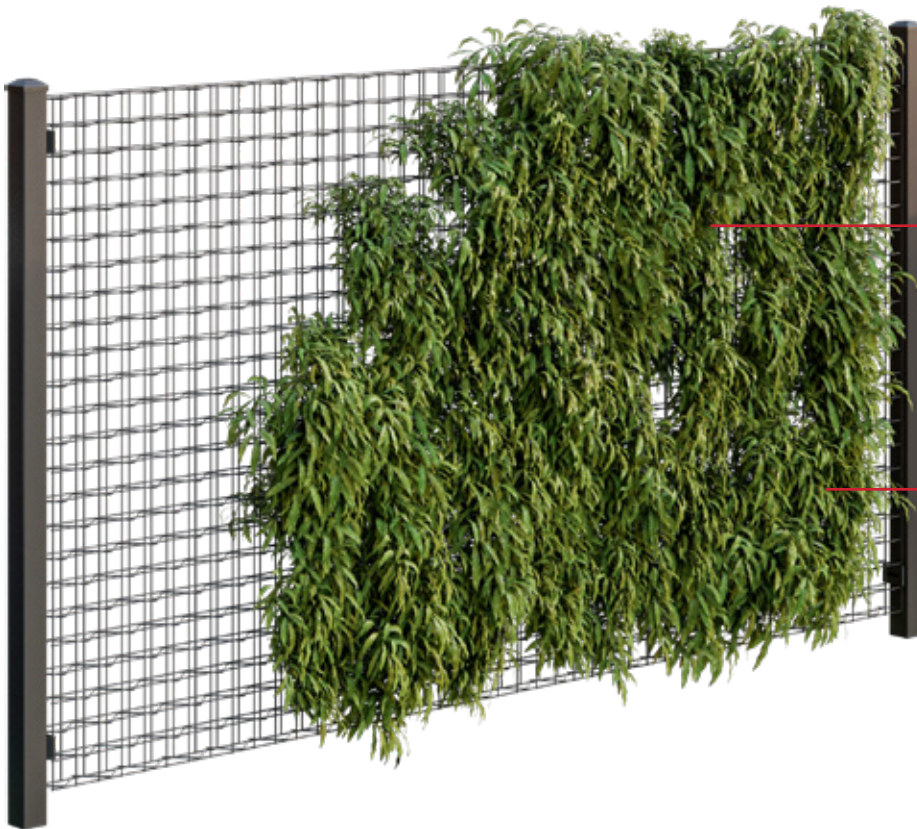


- Panel height ————— 2233mm
- Panel length ————— 1220mm
- Panel thickness ————— 50mm
- Aperture ————— 50x50mm
- Finish ————— Powder coated
- Post size ————— 50x50mm





# Design Features



## The Living Fence

Designed to enable the growth of climbers

## Quick & Simple Installation

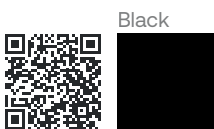
All modular components to make installation easy

## Modular System

Can be integrated with other fencing systems

## Feature Fencing

Makes your fencing a standout feature in your landscape



Black



Green Screen

For more inspiration, scan the QR code or visit <https://www.boundaryline.co.nz/inspiration/>



# POST&RAIL

## New Zealand's versatile fence

From lifestyle blocks to large farms, entrance ways to subdivision projects, Boundaryline's Post&Rail is used all over New Zealand and in a variety of applications

Post&Rail is a cost effective and easy way to enhance the appearance of your property.

The unique Boundaryline straight through mortise allows the rails to interlock in the post without the use of any hardware. This makes for a strong fence that is simple to install, even on sloping ground and with curved lines.

We use specially selected premium grade timber to ensure our Post&Rail fencing looks great for years to come.

With a wide range of options and the ability to supply custom made systems, we can provide a Post&Rail solution to suit your design requirements.



Post&Rail 3-Rail



Post&Rail 3-Rail



Post&Rail 3-Rail

# POST&RAIL

## Design Options

---

### 2-Rail



Post size ————— 125x125 / 150x150 / 200x200mm  
Height out of ground — 950 - 1050mm  
Rail Length ————— 2100 / 2400mm

### 3-Rail



Post size ————— 125x125 / 150x150 / 200x200mm  
Height out of ground — 1100 - 1200mm  
Rail Length ————— 2100 / 2400mm

### Post Tops

*Speak to us about custom post tops*



Chamfered



Collared



Angled



Round



Post&Rail 3-Rail



Post&Rail 2-Rail

# Design Features

## Premium Grade Timber

Superior landscaping timber. Selected to avoid twisting and splitting

## Post Top Options

Selection of different post tops to suit your vision

## Pine or Macrocarpa

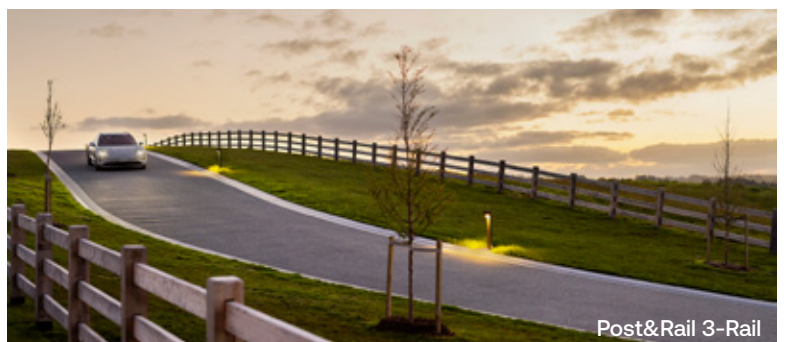
Treated Radiata Pine for guaranteed durability, or chemical free, naturally durable Macrocarpa

## Straight Through Mortise

Strong and durable, easy to install and no bulky brackets

## Custom Design

Available as a standard two rail or three rail system, or work with us to create a custom design for your property



For more inspiration, scan the QR code or visit <https://www.boundaryline.co.nz/inspiration/>

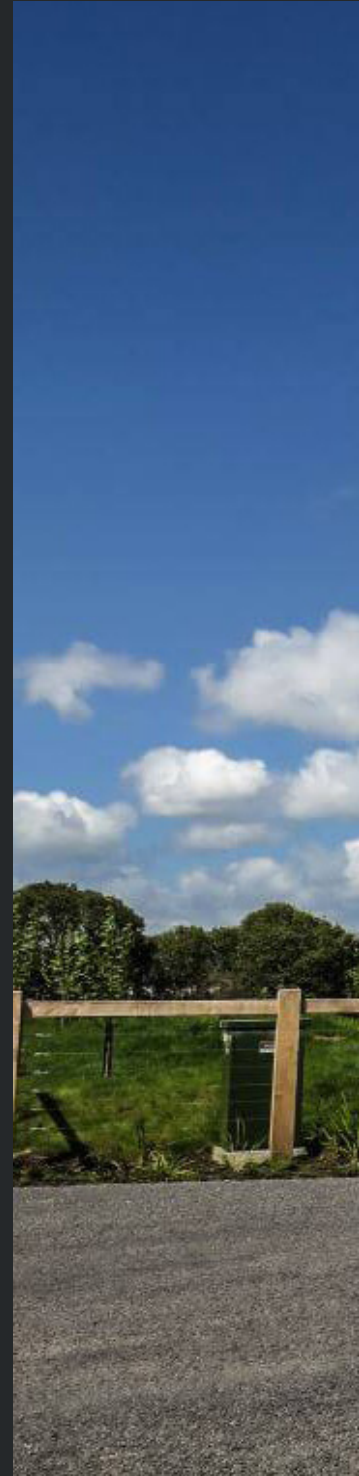


# CUSTOM GATES & SIGNS

Enhance the appeal of your property with a custom made sign or a fully custom entranceway to match your Post&Rail fencing.

We offer personalised signage, expertly crafted gates and distinctive feature posts to ensure your entrance stands out.

Connect with our team to discuss your ideas and we will work with you to create an entranceway that perfectly aligns with your vision.







# LIFESTYLE TIMBER GATES



Oakfield

Boundaryline's Lifestyle Timber Gates stand out from the crowd. Made in a traditional style to match our Post&Rail fencing, these are not your average farm gates.

With a focus on manufacturing quality, these classic timber gates have thicker rails for added strength, dressed timber for a sleek finish and supplied with black powder coated hardware and hinges to complete the look.



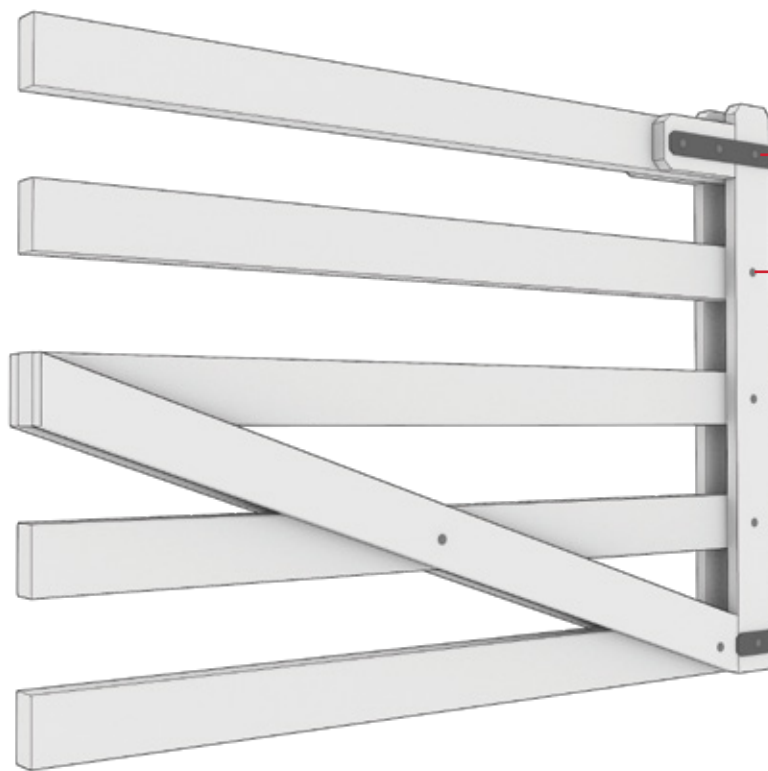
Sheffield



Mayfield



# Gate Features



## Wrap Around Strap Hinges

For strength and durability

## Dressed Timber

For a refined appearance

## Bolted Construction

All joints are fixed with black bolts for strength

## Black Hardware & Latches

For a premium look



## Oakfield

Height ————— 900 / 1000 / 1200mm  
 Length ————— 1000 / 1800 / 2100 / 2400 / 2700 / 3000mm  
*Custom length can be made to order*  
 Rail size ————— 90x32mm  
 Timber ————— Radiata Pine H3 or Macrocarpa



## Sheffield

Height ————— 900 / 1000 / 1200mm  
 Length ————— 1000 / 1800 / 2100 / 2400 / 2700 / 3000mm  
*Custom length can be made to order*  
 Rail size ————— 90x32mm  
 Timber ————— Radiata Pine H3 or Macrocarpa



## Mayfield

Height ————— 900 / 1000 / 1200mm  
 Length ————— 1000 / 1800 / 2100 / 2400 / 2700 / 3000mm  
*Custom length can be made to order*  
 Rail size ————— 90x32mm  
 Timber ————— Radiata Pine H3 or Macrocarpa



# TIMBER BOLLARDS



Angle Top with Collar

Boundaryline bollards are the ideal cost effective way to block vehicle access to parks, reserves and walkways, while allowing easy entry for pedestrians and cyclists.

Boundaryline bollards are made to our standard designs or to your own specification.

We use premium landscape grade timbers: Radiata Pine and Macrocarpa. Or, if required, a selection of sustainable hardwoods are available.

We manufacture custom designed bollards including metalwork features and signage if required. Speak to us to make your ideas become reality.



Custom Angle Top

## Bollard Solutions

Bollard Sizes — 125x125 / 150x150 / 200x200mm  
 Length — 900 / 1200 / 1500 / 1800mm  
 Timber — Radiata Pine H4 or Macrocarpa



Collared  
Square Top



Square Top



Angle Top



Round Top

*Custom designs and sizes available. Contact us to discuss custom solutions.*

# HERITAGE

## CUSTOM GATES AND FENCES



# Enhance and secure your property



Boundaryline can provide custom gates for all kinds of projects and many of these are taken care of by the Heritage team.

Heritage Gates & Fences is an associate brand of Boundaryline, with over 25 years of experience in manufacturing high quality gate and fence solutions.

Heritage Gates & Fences started out manufacturing wooden gates but now focus on producing traditional-style gates in aluminium to achieve the same look but with low maintenance and long term durability.

The range also includes open-style gates and contemporary designs along with the ability to produce gates to a custom design.



Heritage Wisconsin



Heritage Ashland



Heritage Kansas



PicketPanel Atlas



SmartWall Vertical | DuraPanel Polo



ColourPanel | SmartWall Vertical



DuraPanel Axis





SleekWall Horizontal Slat | SmartWall Vertical



ColourSlat Steel



DuraPanel Delta





### **Photographers**

#### **André Vroon**

André Vroon Photography

#### **Dennis Radermacher**

Lightforge Photography

#### **Hi Vis Creative**

#### **Lissa Reydon**

Lissa Reydon Photography

#### **Marina Matthews**

Marina Matthews Photography

#### **Mark Scowen**

Mark Scowen Photography

#### **Paul Brandon**

Paul Brandon Films

#### **Stu Jackson**

1. © Copyright August 2023. All rights reserved. No part of this publication may be reproduced in any form without written permission of Terranota Ltd.

2. The purpose of this catalogue is to showcase the Boundaryline range of fencing and gate solutions available from Terranota Ltd. While Terranota Ltd has made every effort to portray accurate descriptions and information within this catalogue, Terranota Ltd cannot accept any responsibility for specifications or completed work based on information in this catalogue. In all construction projects, care must be taken to comply with all relevant statutory requirements and recommended codes of practice. The customer or user must establish the suitability of any product purchased for their own safe use.

3. Terranota Ltd reserves the right to update or change any specifications in this catalogue without prior notice. Products may be deleted, amended, substituted or changed at the sole discretion of Terranota Ltd.

4. Trademarks: Terranota, Boundaryline, DuraPanel, ColourPanel, SentryPanel, ColourSlat, SleekWall, SmartWall, PicketPanel & EliteWall trademarks of Terranota Ltd, some of which are registered trademarks. Terranota Ltd will not hesitate to take legal action to protect the company's proprietary rights in this regard.

5. Any measurements shown are intended as a guide only. Please confirm any critical measurement with Terranota Ltd.



**Auckland**

43 Noel Burnside Road  
09 250 1144

**Christchurch**

22 Islington Avenue  
03 347 3191

**Invercargill**

60 Bastian Street  
03 211 5145

**0800 003 006**

[enquiries@boundaryline.co.nz](mailto:enquiries@boundaryline.co.nz)

[boundaryline.co.nz](http://boundaryline.co.nz)