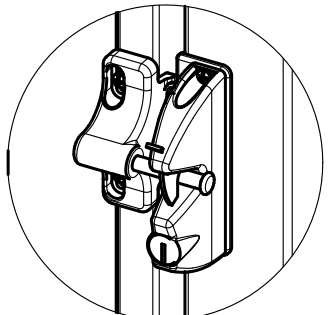
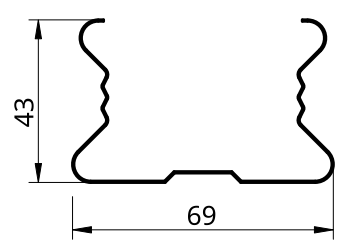


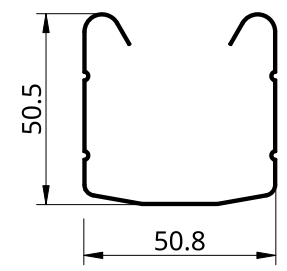
TRU-CLOSE HINGES  
ON PED GATE  
1:4



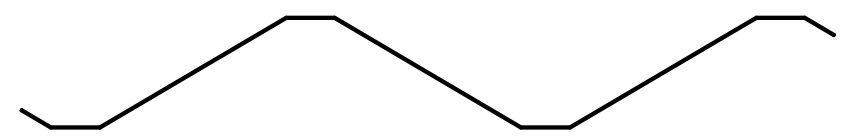
LOKKLATCH ON PED GATE  
1:4



Colour Fence Post  
1:2



Colour Fence Rail  
1:2

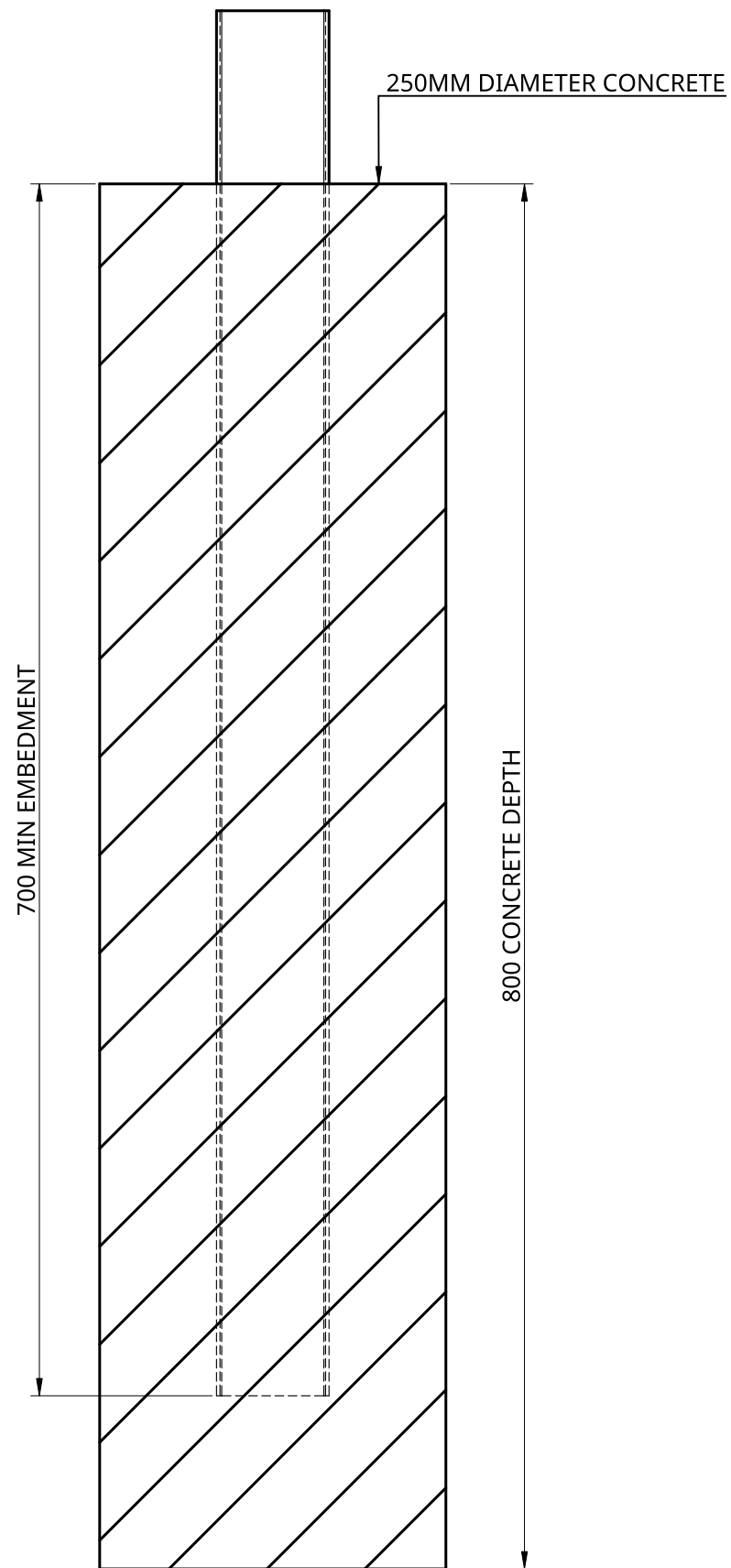


Colour Fence Sheet  
1:2

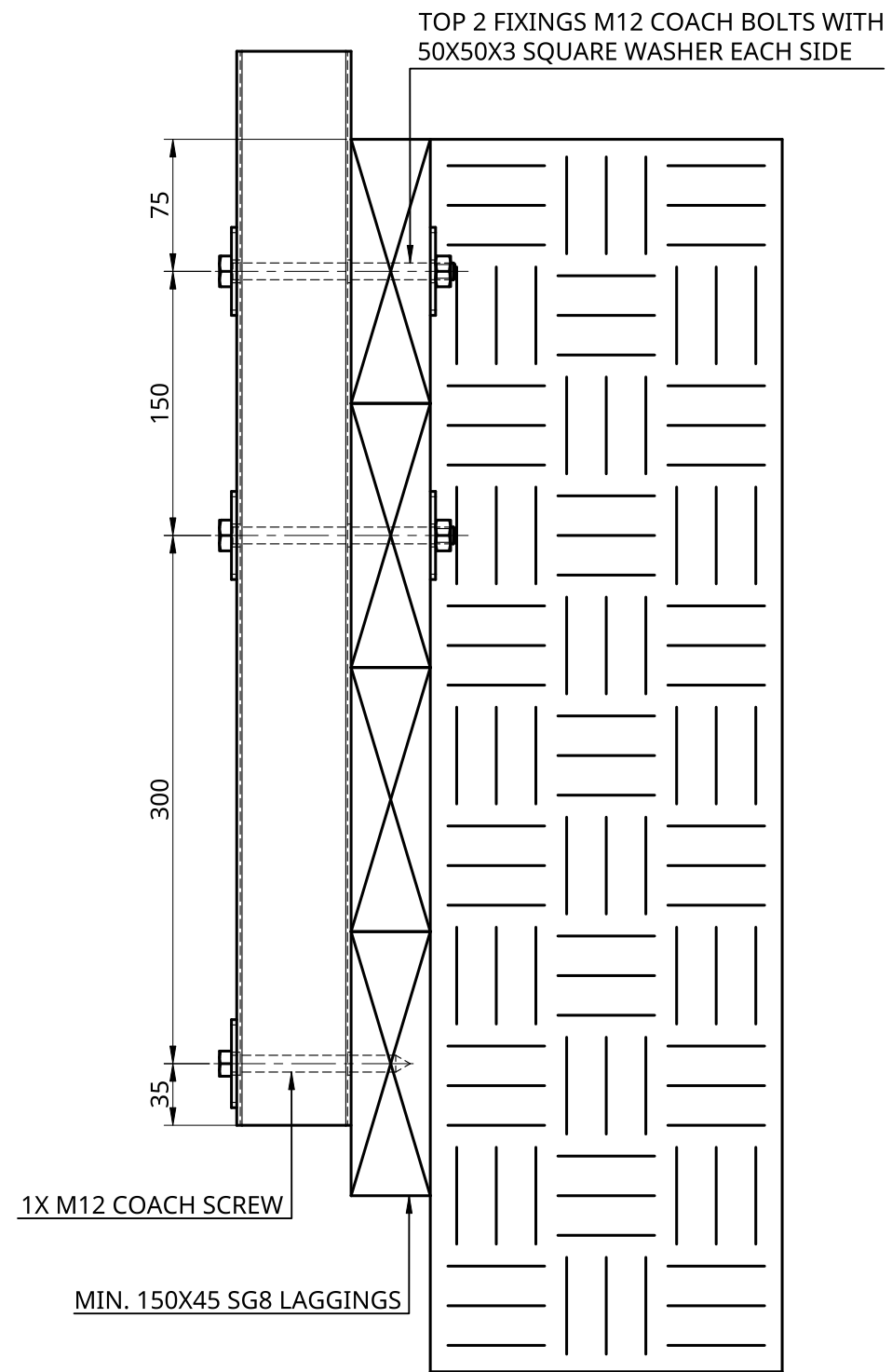
PANEL CODE	DESCRIPTION	BRACKET CODE	HEIGHT	WIDTH	HORIZONTALS	INFILL
CFB12SBLK	COLOUR FENCE PANEL	N/A	1200	2365	COLOUR FENCE RAILS (0.35MM)	COLOUR FENCE SHEET (0.35MM)
CFGSBLK	COLOUR FENCE PEDESTRIAN GATE	N/A	1200	890	COLOUR FENCE RAILS (0.35MM)	COLOUR FENCE SHEET (0.35MM)



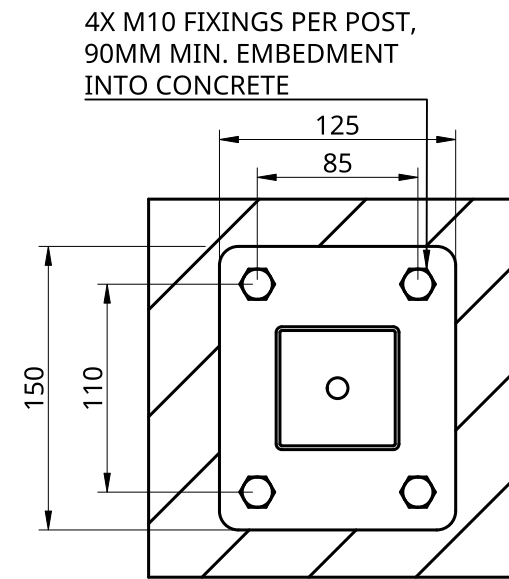
SIZE:	A3	SCALE:	1:25
DRAWING NO:	CF12 - SS	REVISION:	01
DATE ISSUED:	2023-11-29	SHEET:	1 OF 2



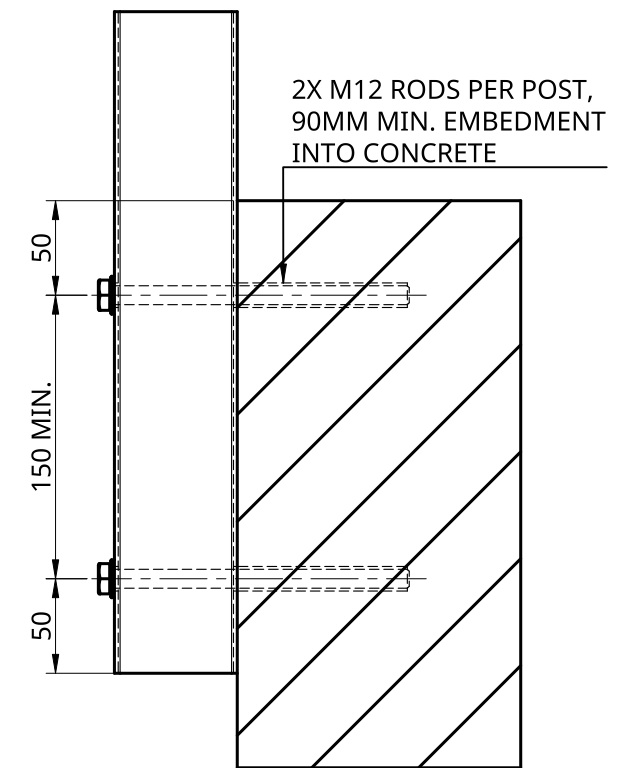
IN GROUND POST CONNECTION



SIDE FIX TO TIMBER RETAINING WALL CONNECTION



BASEPLATED POST CONNECTION



SIDE FIX TO CONCRETE CONNECTION



SIZE:	A3	SCALE:	1:4
DRAWING NO:	CF12 - SS	REVISION:	01
DATE ISSUED:	2023-11-29	SHEET:	2 OF 2