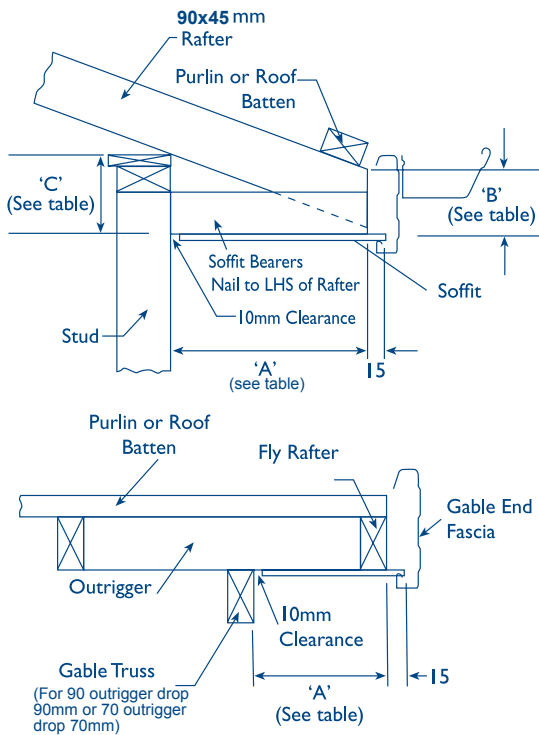


3.4.4.1 FASCIA 147 INSTALLATION GUIDE

Metal Tiles and Metal Roofs



Hip & Gable Roof – Eaves Detail

Soffit Width mm	300	450	600	750	900
Dimension 'A' mm	295	445	595	745	895
Note:					
<ul style="list-style-type: none"> A 10mm soffit clearance has been allowed for: Soffit bearers fixed to LEFT hand side of rafter (viewed from outside). Based on minimum Purlin/Roof batten thickness of 45mm. 					

Gable End Detail

Soffit Width mm	300	450	600
Dimension 'A' mm	295	445	595

In heavy snowfall areas, brackets and snow straps must be fixed at 450mm centres. In high wind areas it is advisable to fix the brackets at 600-700mm centres maximum. Refer to note 4 below for gable end timber sizes.

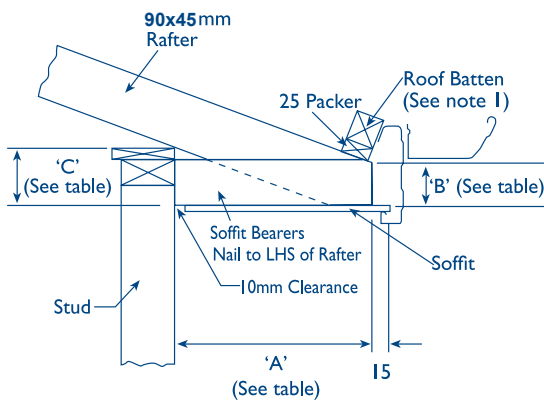
Roof Pitch (Degrees)	Drop Heights - Dimensions 'C' (mm)					Dim 'B' (mm) Toe Cut Gable Roof Only
	Soffit Width (mm)					
	300	450	600	750	900	
10	60	90	120	150	180	105
12.5	72	107	142	177	212	105
15	83	123	163	204	244	105
17.5	98	145	192	240	287	105
20	113	167	222	277	331	105
22.5	129	191	253	315	377	105
25	145	215	284	354	424	105
30	170	255	340	425	510	105
35	206	309	412	515	618	105
40	247	370	494	617	741	105
45	280	420	560	700	840	105

Notes for Installers

- To ensure birds cannot enter the roof space, there should be no gap between the bottom purlin and the back face of the gutter after the system has been installed.
- The 147 small panel fascia system is suitable for use with metal tiles and roofs with sloping soffits up to 22.5° roof pitch.
- Over 25° roof pitch, a kickout may be required on all gable ends.
- As an alternative to note 3, for gable end roofs, outriggers to be from finished timber sizes 70mm x 45mm i.e. gable end truss drop 70mm, avoiding kickouts up to 40° roof pitch.
- NOTE: Soffit bearers are required on all hip corners and should be cut back 20mm to all free movement of the spouting.
- Zincalume coated gutters should have a minimum fall of at least 1:500 and should not have permanent ponding.
- Where loose fill insulation is used, the soffit must be blocked off at the top plate to prevent the insulation coming into contact with the metal fascia. Check with your nearest distributor for further details.

3.4.4.2 FASCIA 147 INSTALLATION GUIDE

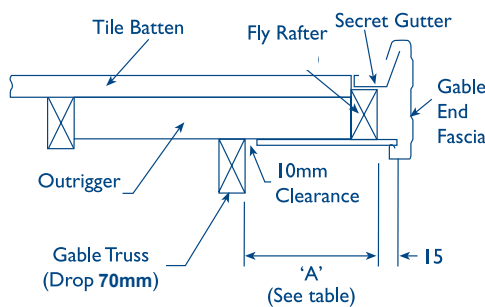
Concrete Tile Roofs



Hip & Gable Roof – Eaves Detail

Soffit Width mm	300	450	600
Dimension 'A' mm	295	445	595
Note:			
<ul style="list-style-type: none"> A 10mm soffit clearance has been allowed for: Soffit bearers fixed to LEFT hand side of rafter (viewed from outside). Based on minimum Purlin/Roof batten thickness of 47mm. 			

Gable End Detail



Soffit Width mm	300	450	600
Dimension 'A' mm	295	445	595
Note: Finished timber sizes			
<ul style="list-style-type: none"> Outriggers 70mm x 45mm Fly rafter 90mm x 45mm 			

In heavy snowfall areas, brackets and snow straps must be fixed at 450mm centres. In high wind areas it is advisable to fix the brackets at 600-700mm centres maximum.

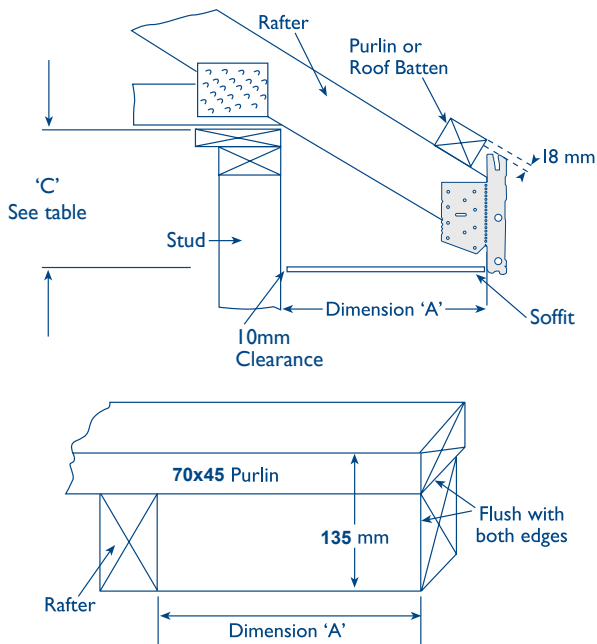
Roof Pitch (Degrees)	Drop Heights - Dimensions 'C' (mm)					Dim 'B' (mm) Toe Cut Gable Roof Only
	Soffit Width (mm)					
	300	450	600	750	900	
17.5	72	119	166	213	261	85
20	84	141	195	250	305	88
22.5	101	163	226	288	350	91
25	117	187	257	327	397	95
30	150	237	323	410	497	100
35	187	292	397	502	607	112
40	227	353	479	605	731	124
45	275	425	575	725	875	135

Notes for Installers

- To ensure birds cannot enter the roof space, there should be no gap between the bottom purlin and the back face of the gutter after the system has been installed.
- The 147 small panel fascia is not suitable on concrete tile roofs with sloping soffits.
- For concrete tile gable end roofs, outriggers to be from finished timber sizes 70mm x 45mm i.e. gable end truss drop 70mm.
- Over 25° roof pitch, a kickout is required on all gable ends.
- NOTE: Soffit bearers are required on all hip corners and should be cut back 20mm to allow free movement of the spouting.
- Zincalume coated gutters should have a minimum fall of at least 1:500 and should not have permanent ponding.
- Where loose fill insulation is used, the soffit must be blocked off at the top plate to prevent the insulation coming into contact with the metal fascia. Check with your nearest distributor for further details.

3.4.4.3 FASCIA 185 INSTALLATION GUIDE

Metal Tiles and Metal Roofs



Hip & Gable Roof – Eaves Detail

Soffit Width mm	300	450	600
Dimension 'A' mm	295	445	595
Note:			
<ul style="list-style-type: none"> • 90x45 soffit bearers used unless stated. • Soffit bearers fixed to right or left hand side of rafter. • 10mm clearance allowed for soffit. 			

Gable End Detail

Soffit Width mm	300	450	600
Dimension 'A' mm	295	445	595

In heavy snowfall and wind areas, brackets and snow traps must be fixed at 450mm centres.
 In medium wind areas it is advisable to fix the brackets at 600mm centres maximum.

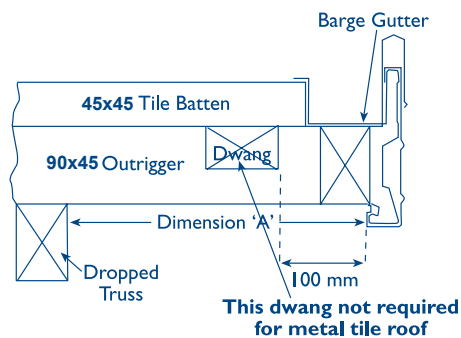
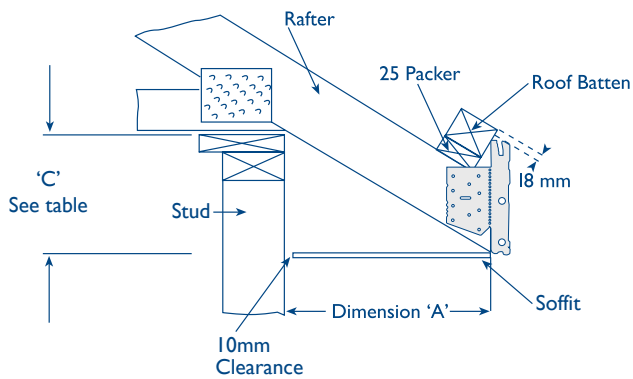
Roof Pitch (Degrees)	Drop Heights - Dimensions 'C' (mm)			
	Soffit Width (mm)			
	300	450	600	750
10	95	123	151	179
12.5	107	140	173	206
15	120	160	200	240
17.5	133	180	227	274
20	145	200	254	309
22.5	160	222	284	346
25	173	243	313	383
27.5	188	266	344	422
30	202	289	376	463
35	233	338	443	548
40	268	394	520	646
45	306	456	606	756
50	350	529	708	887

Notes for Installers

1. To ensure birds cannot enter the roof space, there should be no gap between the bottom purlin and the back face of the gutter after the system has been installed.
2. NOTE: Soffit bearers are required on all hip corners and should be cut back 10mm.
3. Where loose fill insulation is used, the soffit must be blocked off at the top plate to prevent the insulation coming into contact with the metal fascia.
4. Zinalume coated gutters should have a minimum fall of at least 1:500 and should not have permanent ponding.
Check with your nearest distributor for further details.

3.4.4.4 FASCIA 185 & GUTTER INSTALLATION GUIDE

Concrete Tile Roofs



Hip & Gable Roof – Eaves Detail

Soffit Width mm	300	450	600
Dimension 'A' mm	295	445	595
Note:			
<ul style="list-style-type: none"> 90x45 soffit bearers used unless stated. Soffit bearers fixed to right or left hand side of rafter. 10mm clearance allowed for soffit. 			

Gable End Detail

Soffit Width mm	300	450	600
Dimension 'A' mm	295	445	595

In heavy snowfall and wind areas, brackets and snow straps must be fixed at 450mm centres.

In medium wind areas it is advisable to fix the brackets at 600mm centres.

Roof Pitch (Degrees)	Drop Heights - Dimensions 'C' (mm)			
	Soffit Width (mm)			
	300	450	600	750
17.5	107	154	201	248
20	118	173	227	282
22.5	133	195	257	319
25	145	215	285	355
27.5	160	238	316	394
30	173	260	347	434
35	202	307	412	517
40	235	361	487	613
45	271	421	571	721

Notes for Installers

- To ensure birds cannot enter the roof space, there should be no gap between the bottom purlin and the back face of the gutter after the system has been installed.
- Colorflo 185mm External Fascia and Gutter is not suitable on concrete tile roofs with sloping soffits.
- NOTE: Soffit bearers are required on all hip corners and should be cut back 10 mm.
- The use of concrete tiles on the barge ends is not a recommended practice as highlighted in the NZ Metal Roofing and Cladding Code of Practice Section 2 under Compatibility 2.7.2. Should people continue to use this method then there should be some sort of barrier between the two and there is no warranty offered by Pacific Coil Coaters or New Zealand Steel for corrosion if this method is used. This means that all installations should have a bottom batten around the edge of the roof line rather than let the concrete tile rest on the fascia.
- Where loose fill insulation is used, the soffit must be blocked off at the top plate to prevent the insulation coming into contact with the metal fascia.
- Zincalume coated gutters should have a minimum fall of at least 1:500 and should not have permanent ponding. Check with your nearest distributor for further details.