

I OVERNET

PERMANENT FALL PROTECTION SYSTEM FOR INDUSTRIAL ROOFING



SIMPLE

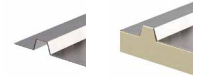
Supplied in 25-m rolls, it is easily installed outdoors on trapezoidal metal sheet or trapezoidal sandwich panels.

COMPLETE

Complete system composed of: fall protection net, fastening plates, EPDM gaskets and rivets.

STRONG

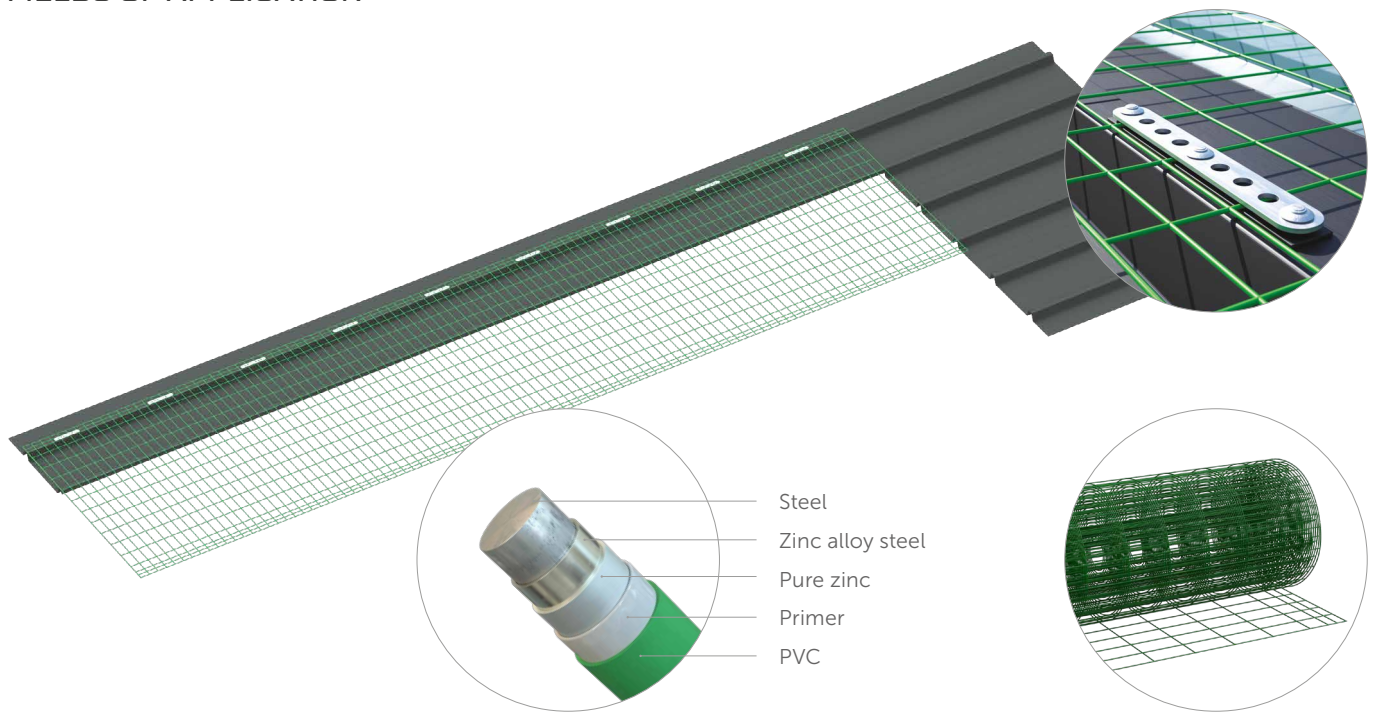
Strong and durable through the combination of different protective elements: zinc plating, primer and PVC.



▼ *Example of outdoor application on trapezoidal metal sheet.*



FIELDS OF APPLICATION



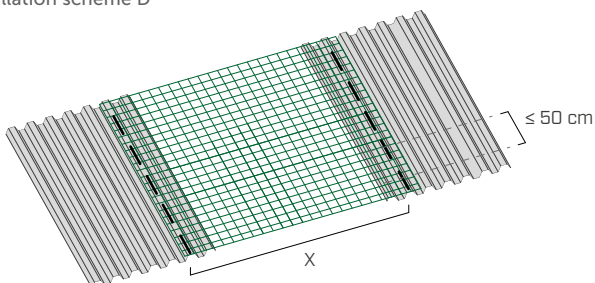
CODES AND DIMENSIONS

CODE	description	B [mm]	L [m]	pcs
OVERNET1020	PVC-coated fall protection safety net	1020	25	1
OVERNET1220	PVC-coated fall protection safety net	1220	25	1
OVERNET1520	PVC-coated fall protection safety net	1520	25	1
OVERNET1830	PVC-coated fall protection safety net	1830	25	1
OVERNET2030	PVC-coated fall protection safety net	2030	25	1

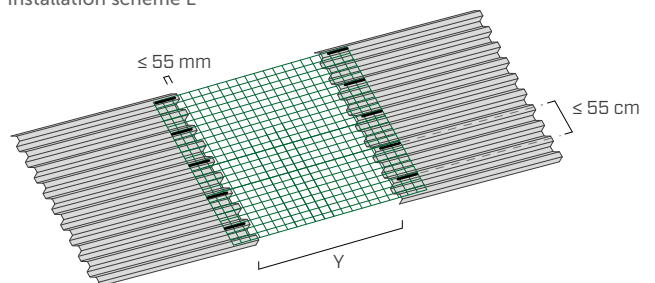
INSTALLATION

CODE	X - PARALLEL PROFILES	Y - PERPENDICULAR PROFILES	B [mm]	L [m]	pcs
	[mm]	[mm]			
OVERNET1020	≤ 880	≤ 630	1020	25	1
OVERNET1220	890 - 1070	640 - 830	1220	25	1
OVERNET1520	1080 - 1390	840 - 1140	1520	25	1
OVERNET1830	1400 - 1690	1150 - 1440	1830	25	1
OVERNET2030	1700 - 1900	1450 - 1650	2030	25	1

PARALLEL PROFILES
Installation scheme D



PERPENDICULAR PROFILES
Installation scheme E



COMPLEMENTARY PRODUCTS

CODE	description		B [mm]	L [mm]	H [mm]	s [mm]	Ø [mm]	pcs
OVERNETBRA	fastening plate for OVERNET		19	-	142	2,5	-	100
OVERNETEPDM	EPDM gasket for OVERNET		19	-	142	4	-	100
RIV7728	rivet with EPDM washer		-	28	-	-	7,7	300