

PATROL + TOWER

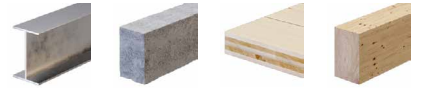


LIFELINE ON SUPPORT FOR TIMBER, CONCRETE AND STEEL ROOFS

EN 795:2012 C	CEN/TS 16415:2013	UNI 11578:2015 C	AS/NZS 1891.2:2001	AS/NZS 1891.4:2009

ADJUSTABLE

Support height between 300 and 600 mm to adapt to different thicknesses of roofing packages.



AESTHETICS

Small-sized cylindrical support to minimize the visual impact on the roofing.



SAFETY

Controlled deformation device to reduce the load on the fastening systems and structure.



LOAD DIRECTION



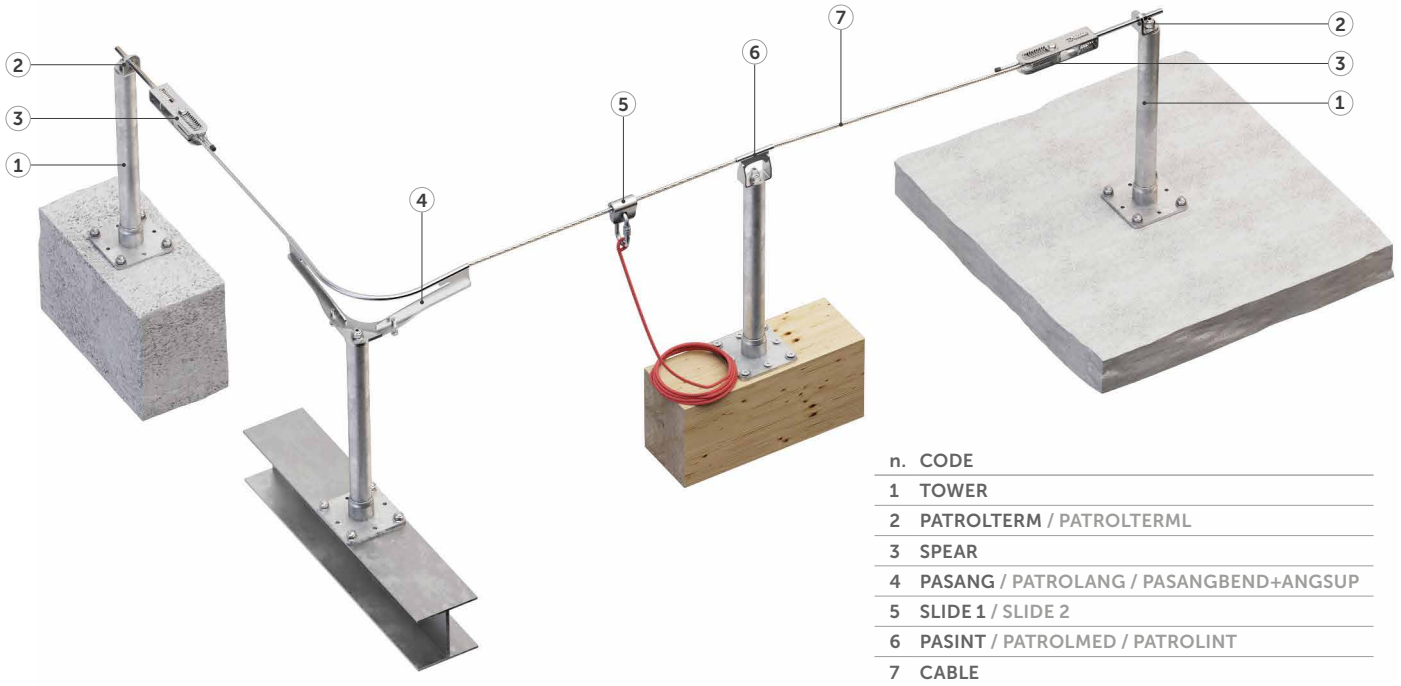
TYPES OF APPLICATION

VIDEO	MANUALS	

▼ Installation of a PATROL lifeline on TOWER supports on a structural glulam roof.



PATROL LIFELINE COMPONENTS



n.	CODE
1	TOWER
2	PATROLTERM / PATROLTERML
3	SPEAR
4	PASANG / PATROLANG / PASANGBEND+ANGSUP
5	SLIDE 1 / SLIDE 2
6	PASINT / PATROLMED / PATROLINT
7	CABLE

TECHNICAL DATA*

substructure	minimum thickness	fasteners
GL24h	160 x 160 mm	VGS Ø9
CLT	200 mm	VGS Ø9
C20/25	140 mm	AB1 Ø12
		rod Ø12
S235JR	6 mm	VIN-FIX
		HYB-FIX
I	6 mm	EKS + ULS + MUT
		MUT

		with SPEAR
Minimum spacing	X_{min} [m]	2
Maximum spacing	X_{max} [m]	15
Maximum deflection	Y_{max} [m]	3,26

* The values indicated are the result of experimental tests carried out under the supervision of third parties in accordance with the standard referred to. For a calculation report with minimum distances according to the relevant standard requirements, the substructure must be checked by a qualified engineer before installation.

TOWER | CODES AND DIMENSIONS

CODE	material	d_1 [mm]	B [mm]	H [mm]	L [mm]	pcs
TOWER300	S235JR zinc plated steel	48	150	300	150	1
TOWER400	S235JR zinc plated steel	48	150	400	150	1
TOWER500	S235JR zinc plated steel	48	150	500	150	1
TOWER600	S235JR zinc plated steel	48	150	600	150	1
TOWER22500	S235JR zinc plated steel	48	150	500	150	1

COMPLEMENTARY PRODUCTS

CODE	description	page
TOWERPEAK	adaptor for double layer ridge piece	228
TOWERSLOPE	fastening guide for rafter	228
TOWLATEVO	TOWER fastening to the wall	229

CODE	description	page
TOPLATE	counterplate	229
BEF201VGS	fastening set	231
BEF202VGS	fastening set	231
MANPOST1	adhesive sealing sleeve for outdoors	232
MANPOST2	adhesive sealing sleeve for outdoors	232
MANEPDM	EPDM sleeve	232
MANLEAD	lead waterproofing cover	232

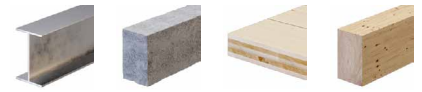
PATROL + TOWER A2

LIFELINE ON STAINLESS STEEL SUPPORT
ON TIMBER, STEEL AND CONCRETE ROOFS

EN 795:2012 C	CEN/TS 16415:2013	UNI 11578:2015 C	AS/NZS 1891.2:2001	AS/NZS 1891.4:2009
------------------	----------------------	------------------------	-----------------------	-----------------------

MATERIAL

A2 stainless steel support that guarantees excellent resistance and durability in corrosive environments.



AESTHETICS

Product that meets high aesthetic and functional requirements.

SAFETY

Controlled deformation device to reduce the load on the fastening systems and structure.

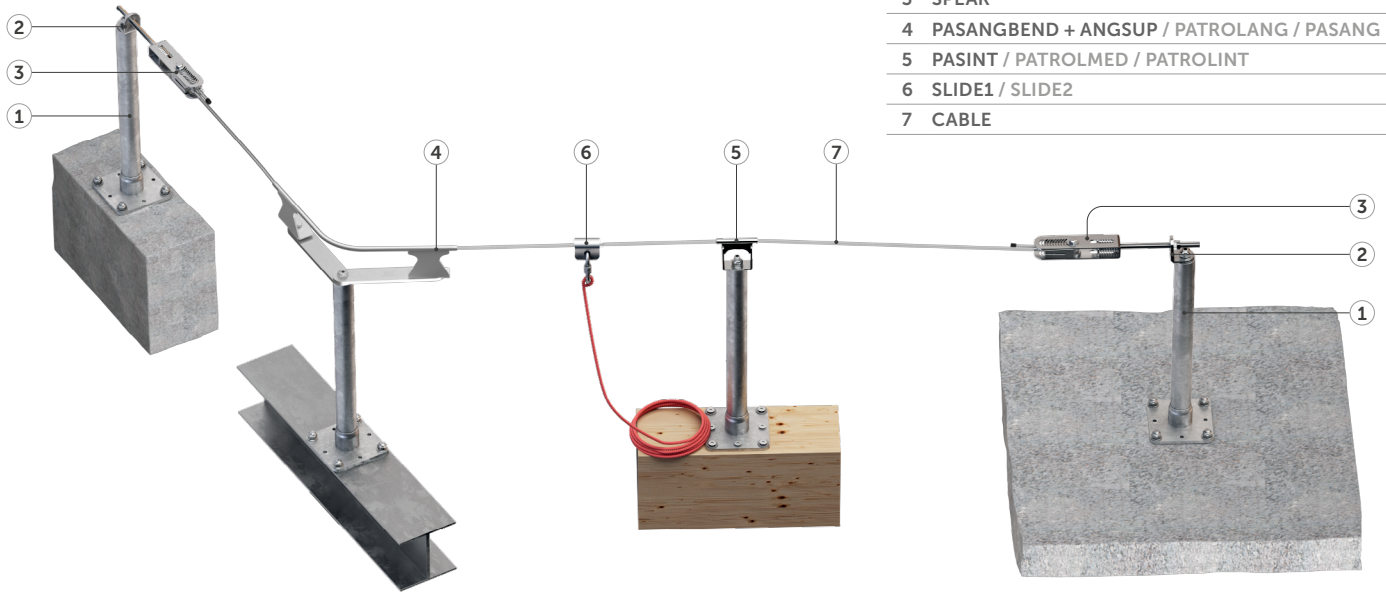
 LOAD DIRECTION	 TYPES OF APPLICATION
--------------------	--------------------------

▼ Installation of a PATROL lifeline with stainless steel TOWER A2 steel supports on a structure close to the edge.

 VIDEO	 MANUALS	
-----------	-------------	--



PATROL LIFELINE COMPONENTS



n. CODE

1	TOWER A2
2	PATROLTERM / PATROLTERML
3	SPEAR
4	PASANGBEND + ANGSUP / PATROLANG / PASANG
5	PASINT / PATROLMED / PATROLINT
6	SLIDE1 / SLIDE2
7	CABLE

TECHNICAL DATA*

substructure	minimum thickness	fasteners
GL24h	160 x 160	VGS Ø9
CLT	200	VGS Ø9
C20/25	140	AB1 Ø12
		rod Ø12
S235JR	6	VIN-FIX
		HYB-FIX
		EKS + ULS + MUT

		with SPEAR
Minimum spacing	X_{min} [m]	2
Maximum spacing	X_{max} [m]	15
Maximum deflection	Y_{max} [m]	3,26

* The values indicated are the result of experimental tests carried out under the supervision of third parties in accordance with the standard referred to. For a calculation report with minimum distances according to the relevant standard requirements, the substructure must be checked by a qualified engineer before installation.

TOWER A2 | CODES AND DIMENSIONS

A2
AISI 304

CODE	material	d_1 [mm]	B [mm]	H [mm]	L [mm]	pcs
TOWERA2300	AISI 304 stainless steel grade 1.4301	48	150	300	150	1
TOWERA2400	AISI 304 stainless steel grade 1.4301	48	150	400	150	1
TOWERA2500	AISI 304 stainless steel grade 1.4301	48	150	500	150	1

COMPLEMENTARY PRODUCTS

CODE	description	page
BEF201VGS	fastening set	231
BEF202VGS		
MANPOST1	adhesive sealing sleeve for outdoors	232
MANPOST2		

CODE	description	page
MANEPDM	EPDM sleeve	232
MANLEAD	lead waterproofing cover	

PATROL + TOWER XL

LIFELINE ON SUPPORT WITH INCREASED BOTTOM PLATE FOR TIMBER, STEEL AND CONCRETE ROOFS

VERSATILE

It can be mounted on various types of structure with tested fastenings.

ADJUSTABLE

Support height between 300 and 800 mm to adapt to different thicknesses of roofing packages.

SAFE

The enlarged bottom plate makes it possible to distribute the actions arising from the anchoring devices over a larger area.



LOAD DIRECTION

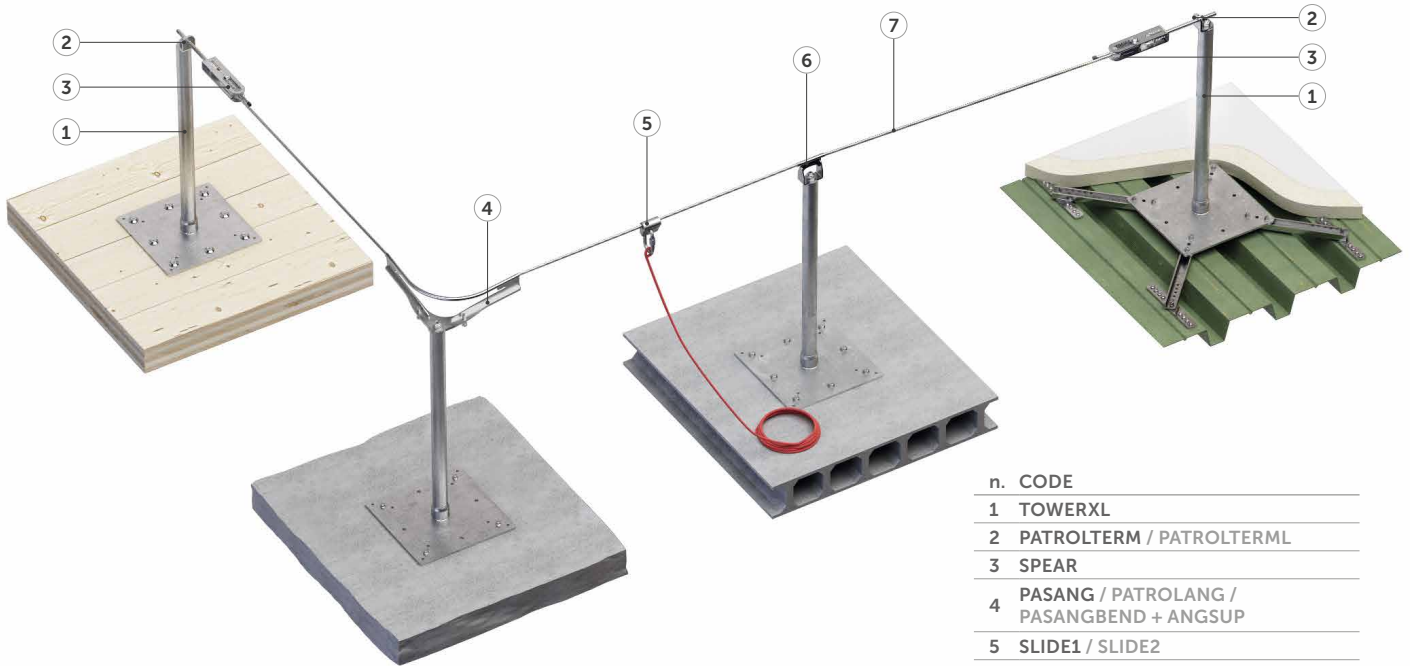


TYPES OF APPLICATION

▼ Installation of a PATROL lifeline with TOWER XL supports on a flat roof with CLT structure and waterproofed with a synthetic covering.



PATROL LIFELINE COMPONENTS



n.	CODE
1	TOWERXL
2	PATROLTERM / PATROLTERML
3	SPEAR
4	PASANG / PATROLANG / PASANGBEND + ANGSUP
5	SLIDE1 / SLIDE2
6	PASINT / PATROLMED / PATROLINT
7	CABLE

TECHNICAL DATA*

substructure	minimum thickness	fasteners
CLT	100 mm	VGS Ø11
C20/25	110 mm	AB7 Ø10
		rod Ø10
		VIN-FIX
C45/55	30 mm	BEFTOWERXL1
	0,75 mm	MTS A2 AISI 304

		with SPEAR
minimum spacing	X_{min} [m]	2
maximum spacing	X_{max} [m]	15
maximum deflection	Y_{max} [m]	3,60

* The values indicated are the result of experimental tests carried out under the supervision of third parties in accordance with the standard referred to. For a calculation report with minimum distances according to the relevant standard requirements, the substructure must be checked by a qualified engineer before installation.

TOWER XL | CODES AND DIMENSIONS

CODE	material	d_1 [mm]	B [mm]	H [mm]	L [mm]	pcs
TOWERXL300	S235JR zinc plated steel	48	350	300	350	1
TOWERXL400	S235JR zinc plated steel	48	350	400	350	1
TOWERXL500	S235JR zinc plated steel	48	350	500	350	1
TOWERXL600	S235JR zinc plated steel	48	350	600	350	1
TOWERXL700	S235JR zinc plated steel	48	350	700	350	1
TOWERXL800	S235JR zinc plated steel	48	350	800	350	1

COMPLEMENTARY PRODUCTS

CODE	description	page
MANPOST1	adhesive sealing sleeve for outdoors	232
MANPOST2		
MANEPDM	EPDM sleeve	232
MANLEAD	lead waterproofing cover	232

CODE	description	page
TOPPLATE 2.0	counterplate	230
TRAPO	support for trapezoidal steel deck	230
BEFTOWERXL1	fastening set for aerated cement	231