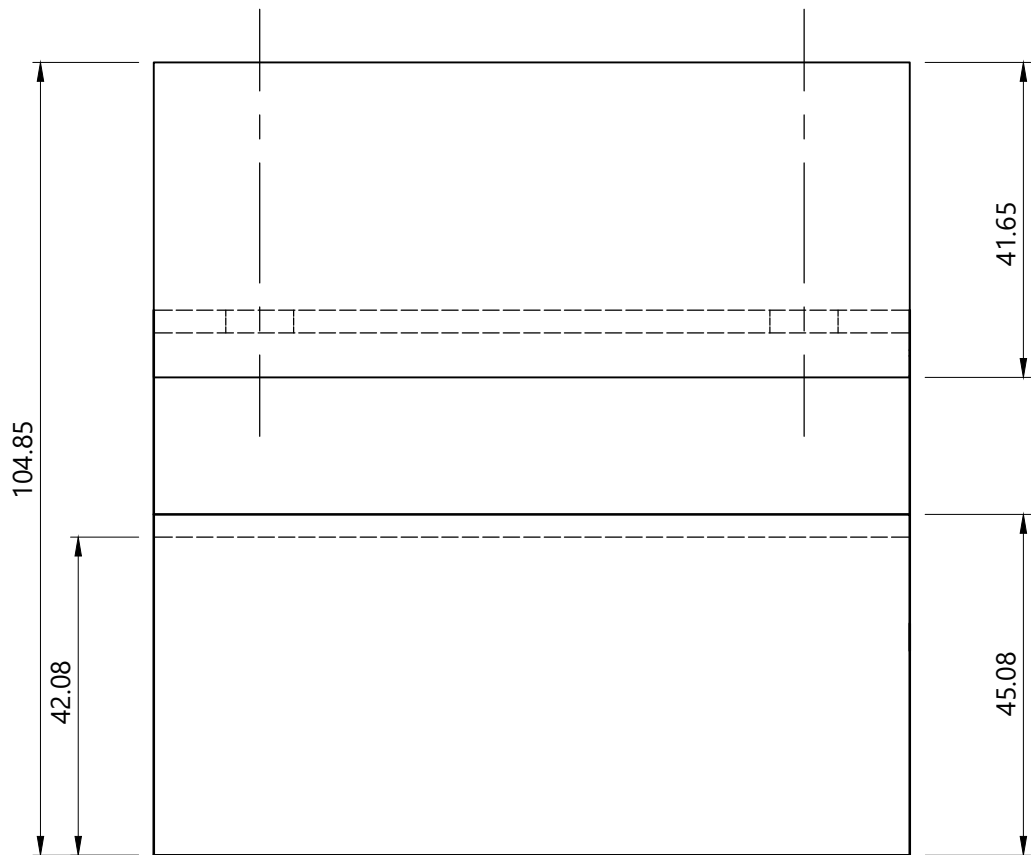
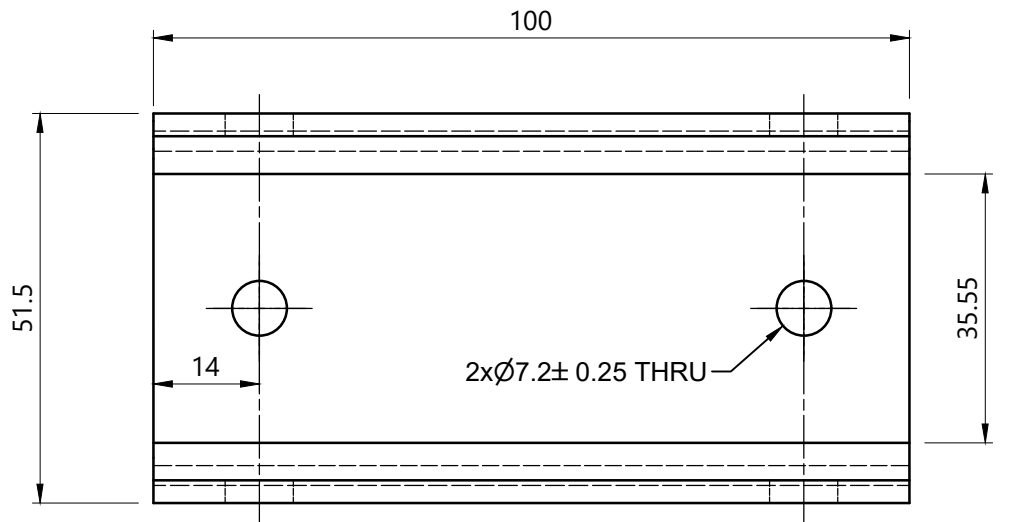


Scale
1:1



| | | | | |
|-------------------|--------|----------------|--------------------|--|
| Revision | Weight | Scale 1 : 1 | Date 27/02/2024 | Components TMP 1005-01 TMP 540200-01 |
| TECHNOFORM | | | | Drawing Name U Channel Thermal Isolator Assembly Side Views |
| | | | | Size A4 Page 3 |