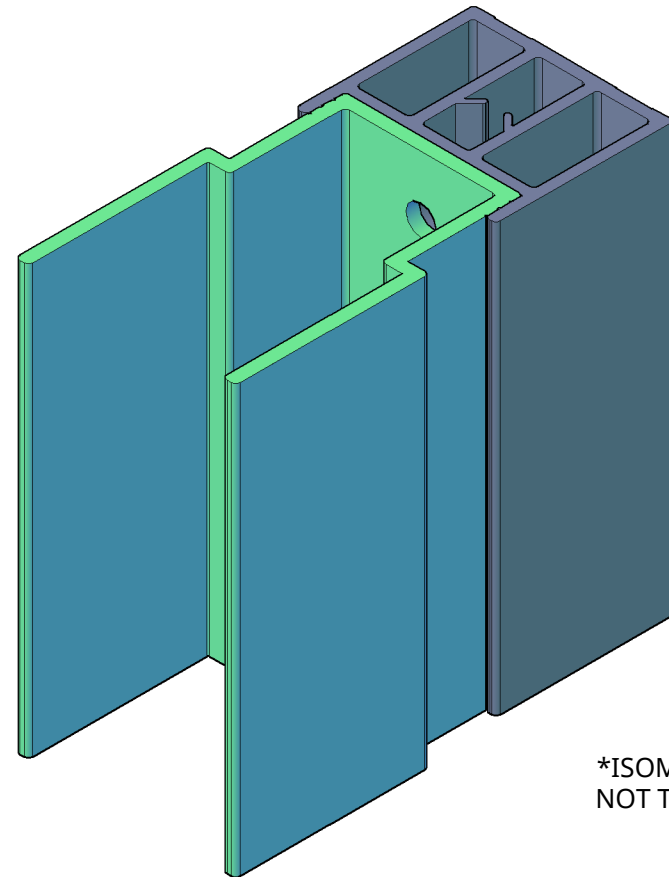


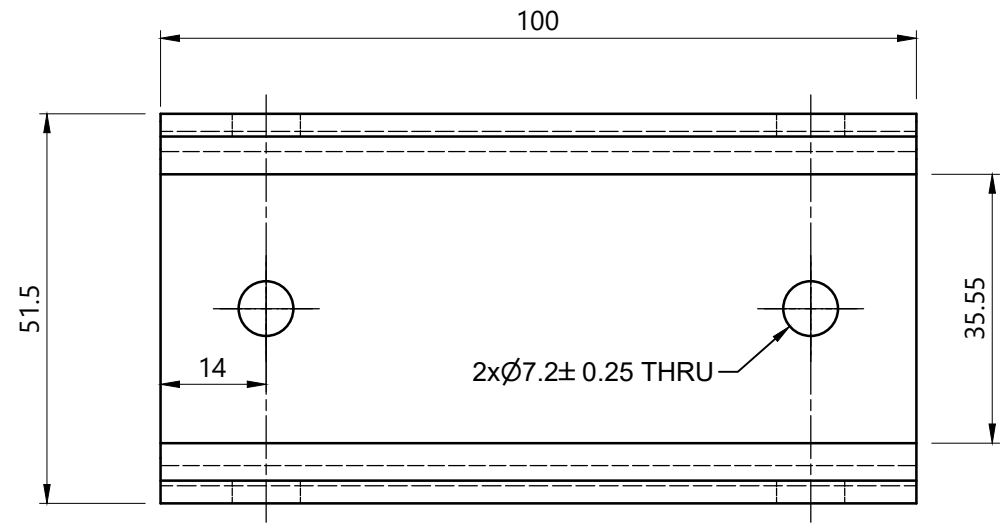
1 2 3 4 5 6

A

A



*ISOMETRIC MODEL VIEW
NOT TO SCALE

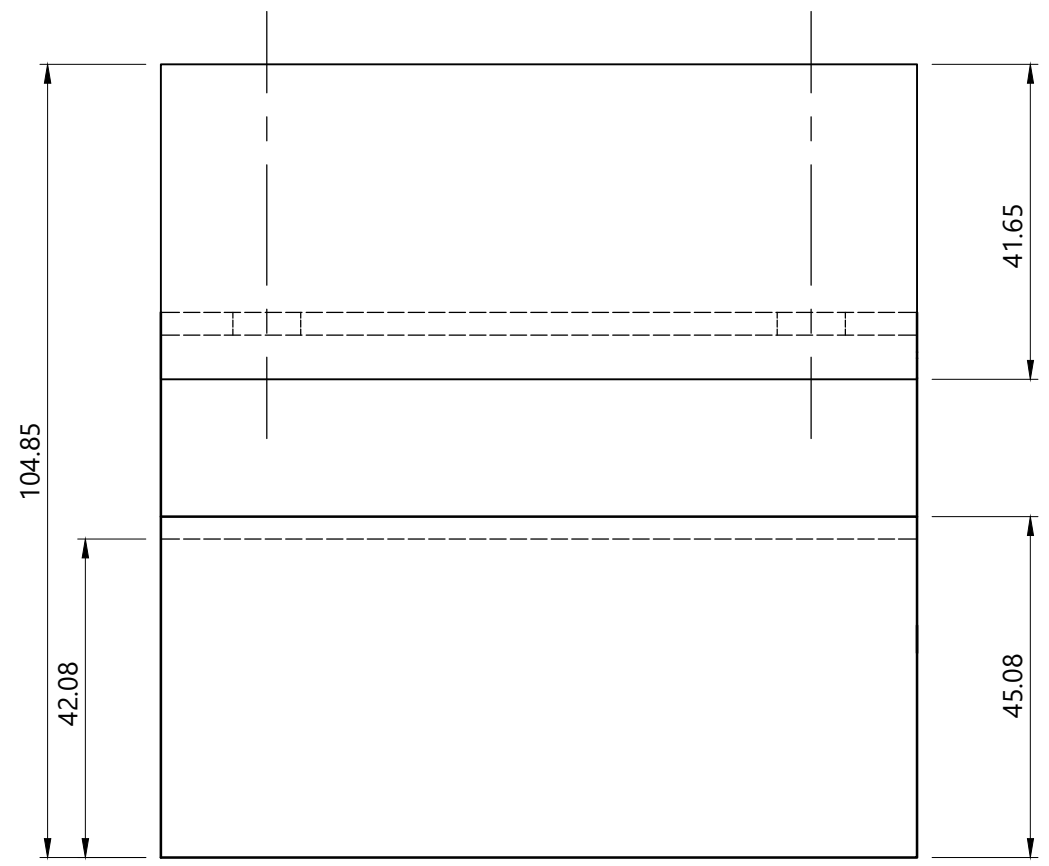
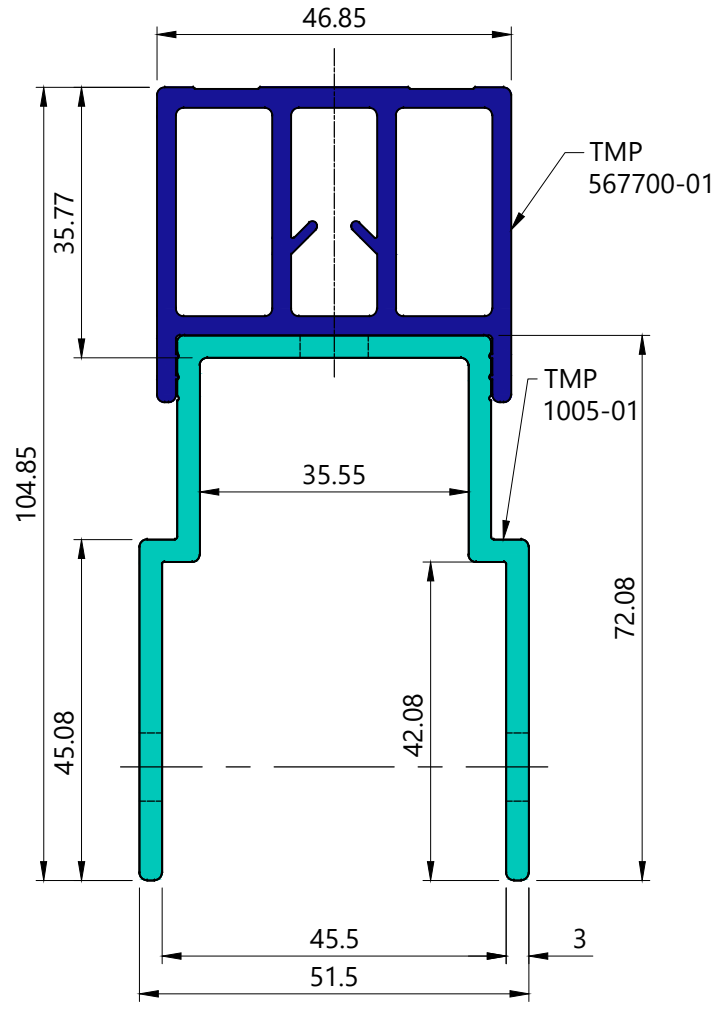


B

B

C

C



Rev. #	Description	Date
1	Initial	13/03/2024

Checked date	Engineering approved date	Fabrication approved date
Drawn by JYL	Date 20/02/2024	A3 Scale 1 : 1
U-CHANNEL TIC ASSEMBLY		

TECHNOFORM

TIC U

Revision	Sheet
-	1 / 4

1 2 3