

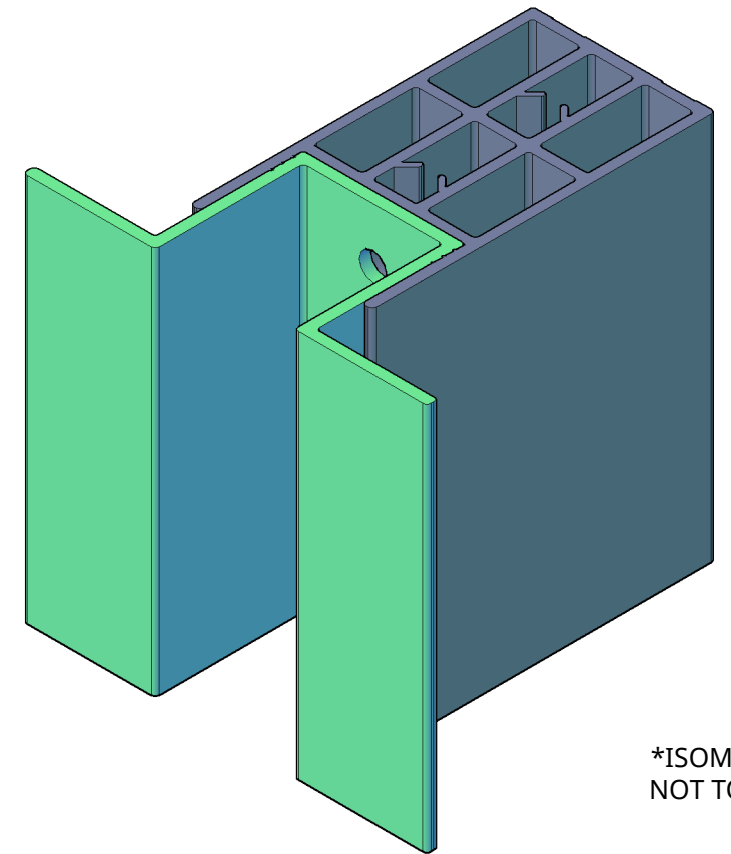
1 2 3 4 5 6

A

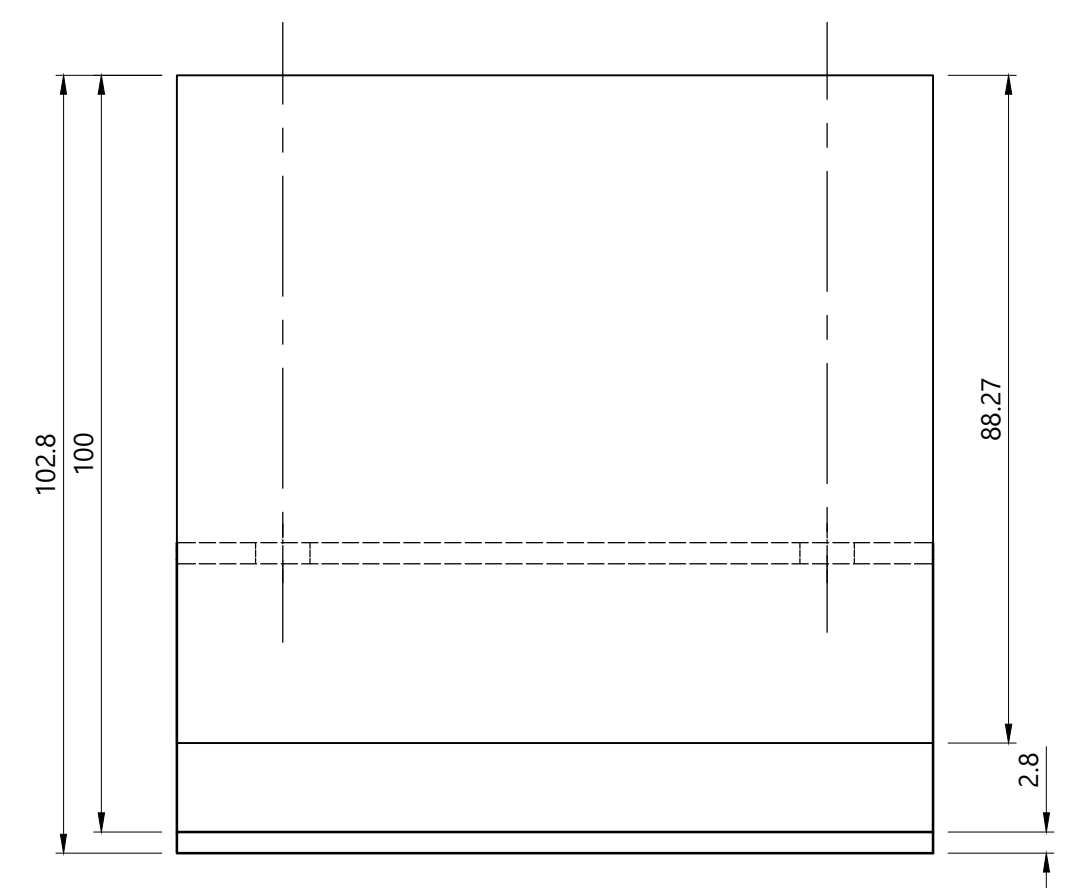
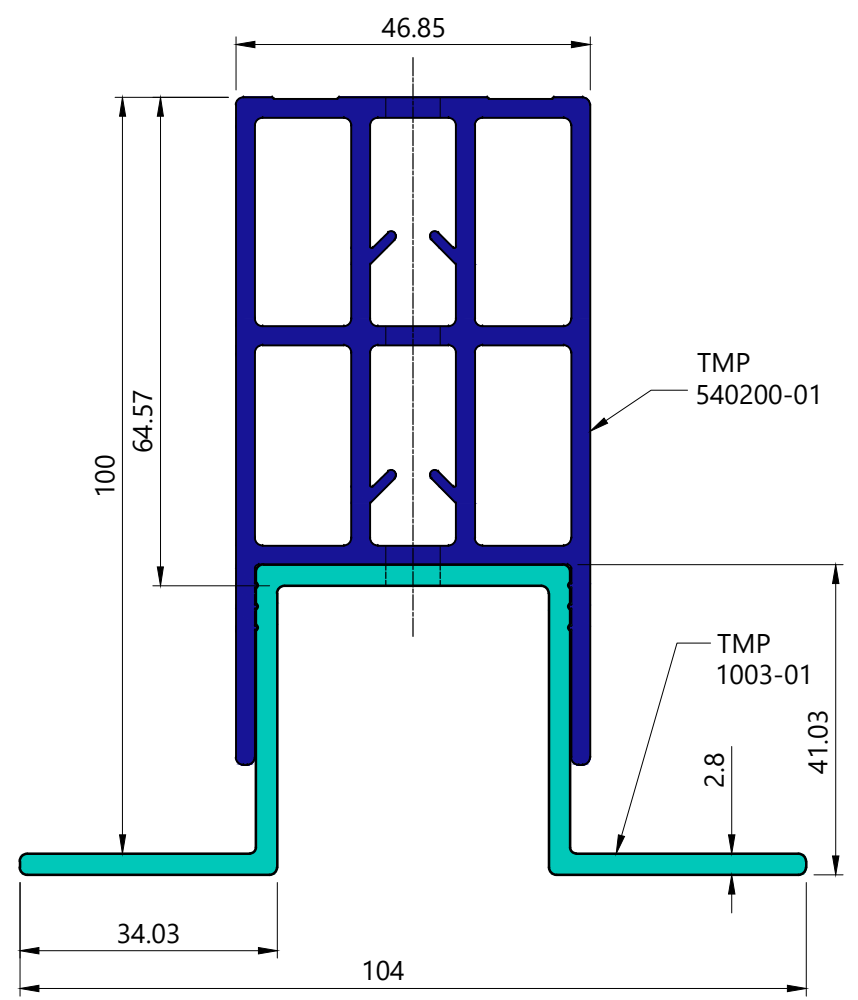
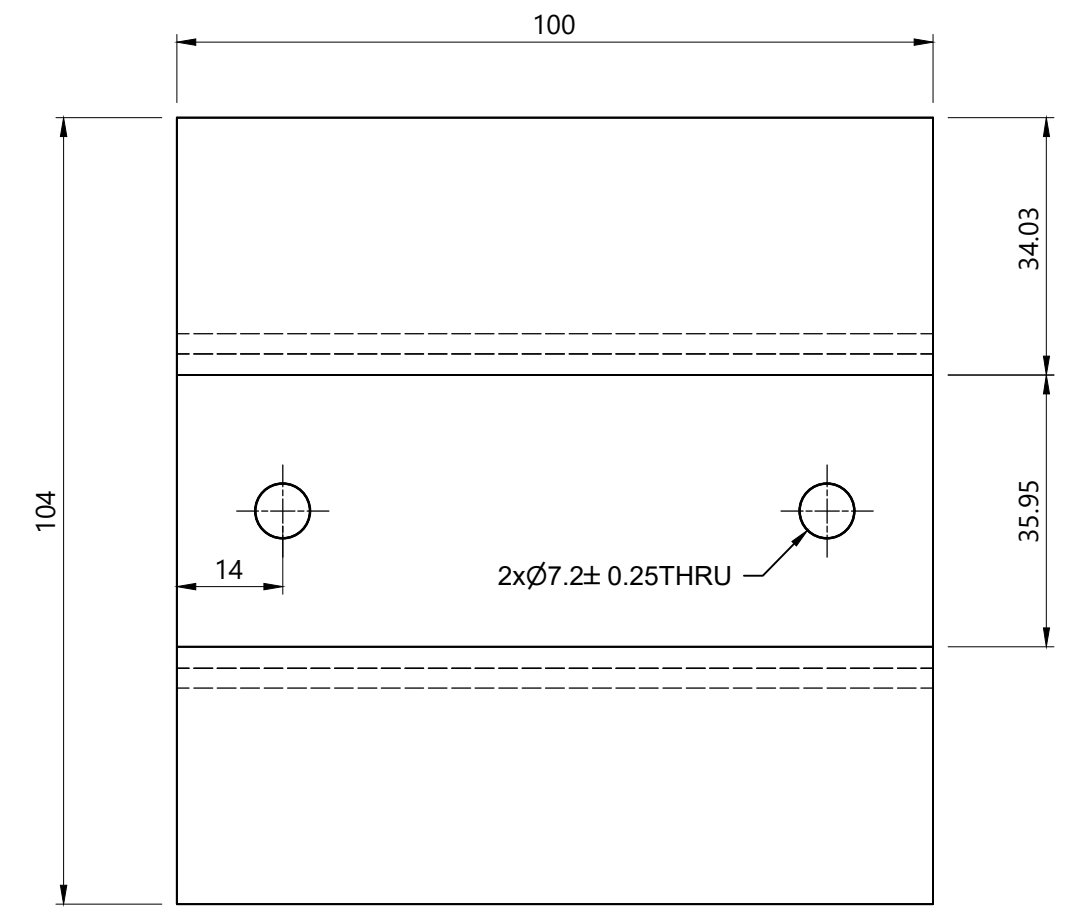
B

C

D



*ISOMETRIC MODEL VIEW
NOT TO SCALE



Rev. #	Description	Date
1	Initial	13/03/2024

Checked date	Engineering approved date	Fabrication approved date
Drawn by JYL	Date 20/02/2024	A3 Scale 1 : 1
100mm TIC ASSEMBLY		

TECHNOFORM	
TIC 100	Revision -
	Sheet 1 / 4

Copyright © Technoform 24/05/2023

1

2

3

4

5

6