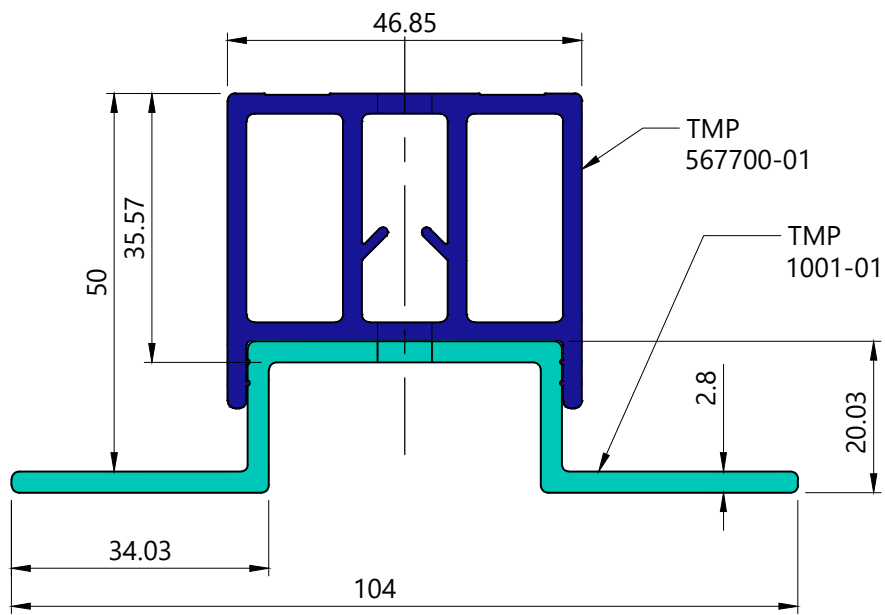


Rev. #	Description	Date
1	Initial	13/03/2024

Checked date	Engineering approved date	Fabrication approved date
Drawn by JYL	Date 20/02/2024	A3 Scale 1 : 1
50mm TIC ASSEMBLY		

TECHNOFORM		Revision	Sheet
		-	1 / 4

Scale
1:1



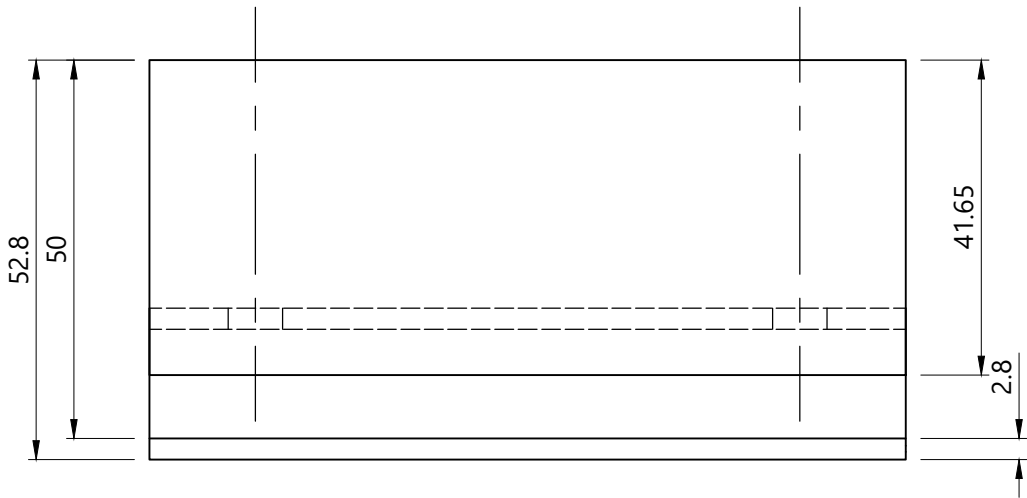
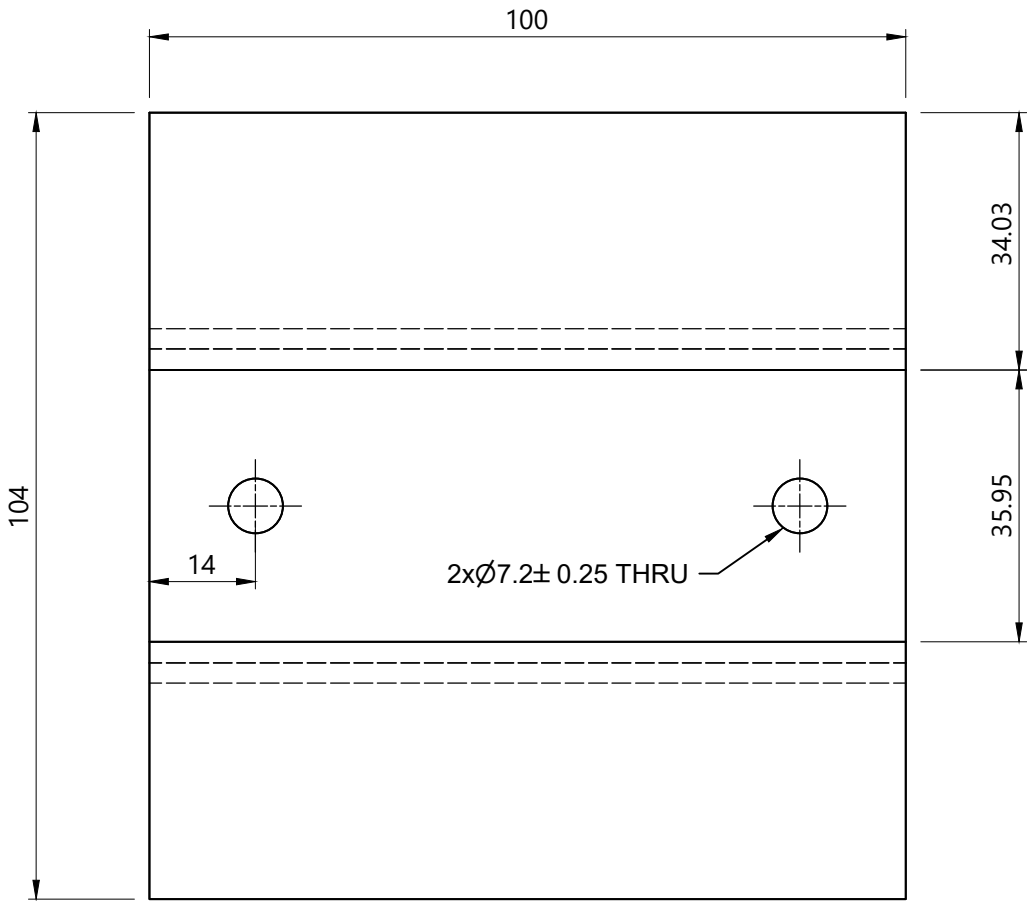
Revision	Weight	Scale 1 : 1	Date 27/02/2024	Components TMP 1001-01 TMP 567700-01
----------	--------	----------------	--------------------	--

TECHNOFORM

Drawing Name
50mm Thermal Isolator Assembly Section View

Size A4
Page 2

Scale
1:1



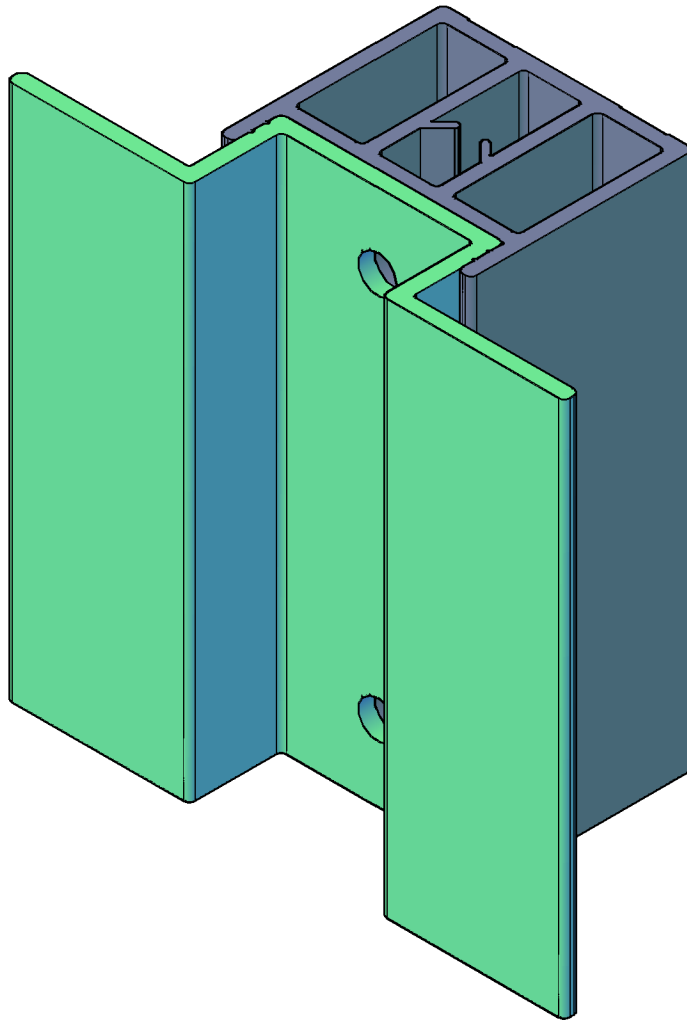
Revision	Weight	Scale 1 : 1	Date 27/02/2024	Components TMP 1001-01 TMP 567700-01
----------	--------	----------------	--------------------	--

TECHNOFORM

Drawing Name
50mm Thermal Isolator Assembly Side Views

Size A4
Page 3

Scale
1:1



Revision	Weight	Scale 1 : 1	Date 27/02/2024	Components TMP 1001-01 TMP 567700-01
----------	--------	----------------	--------------------	--

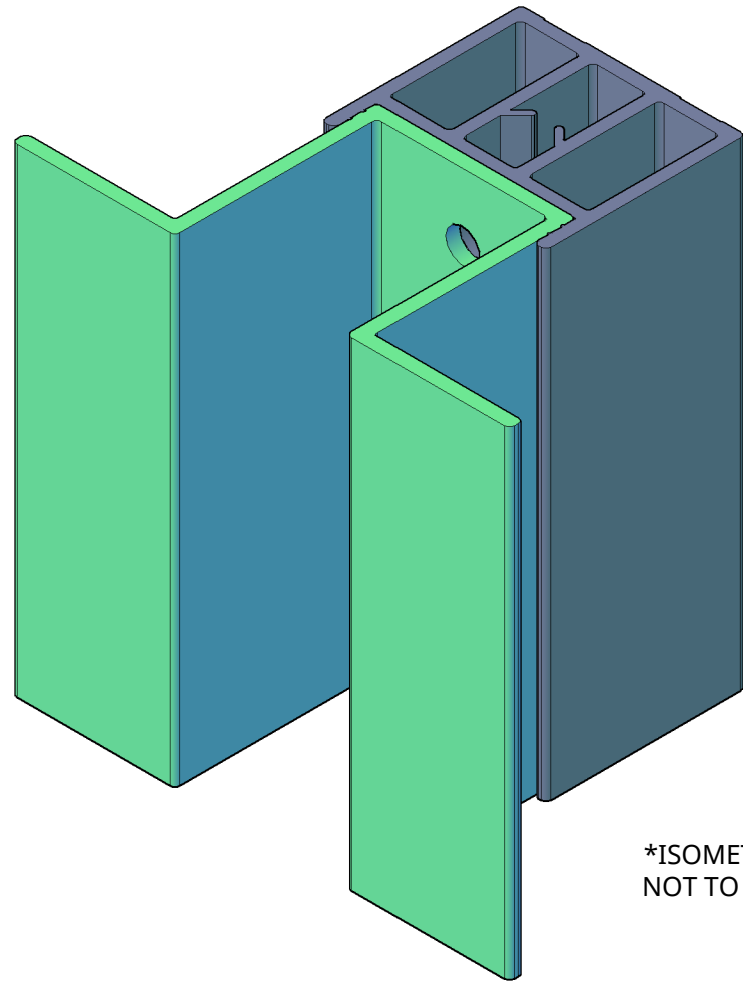
1 2 3 4 5 6

A

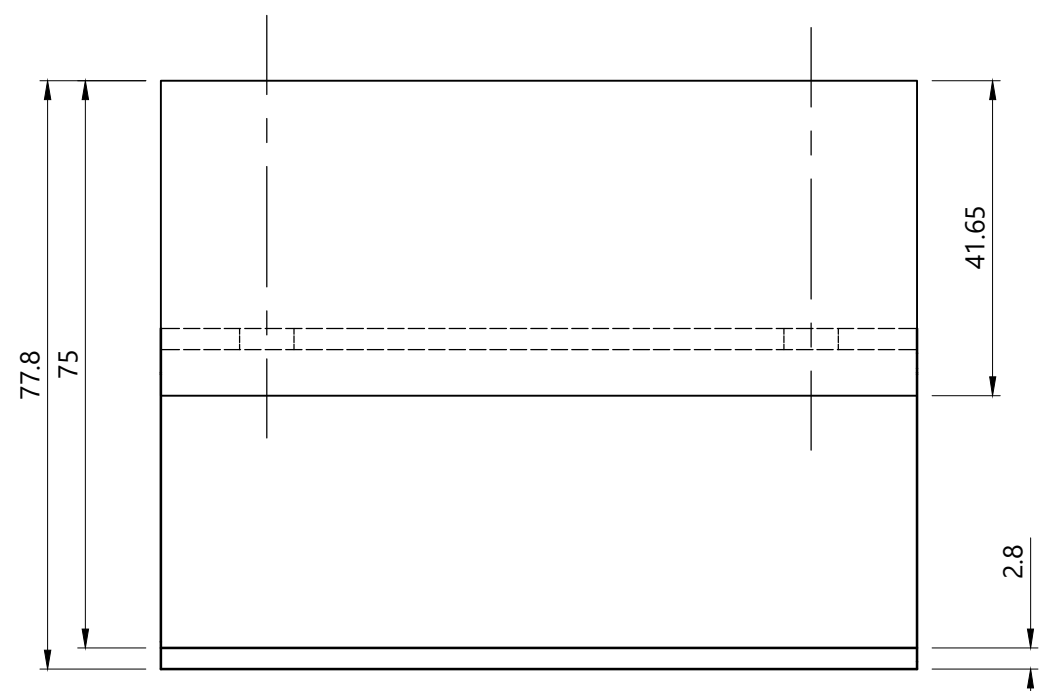
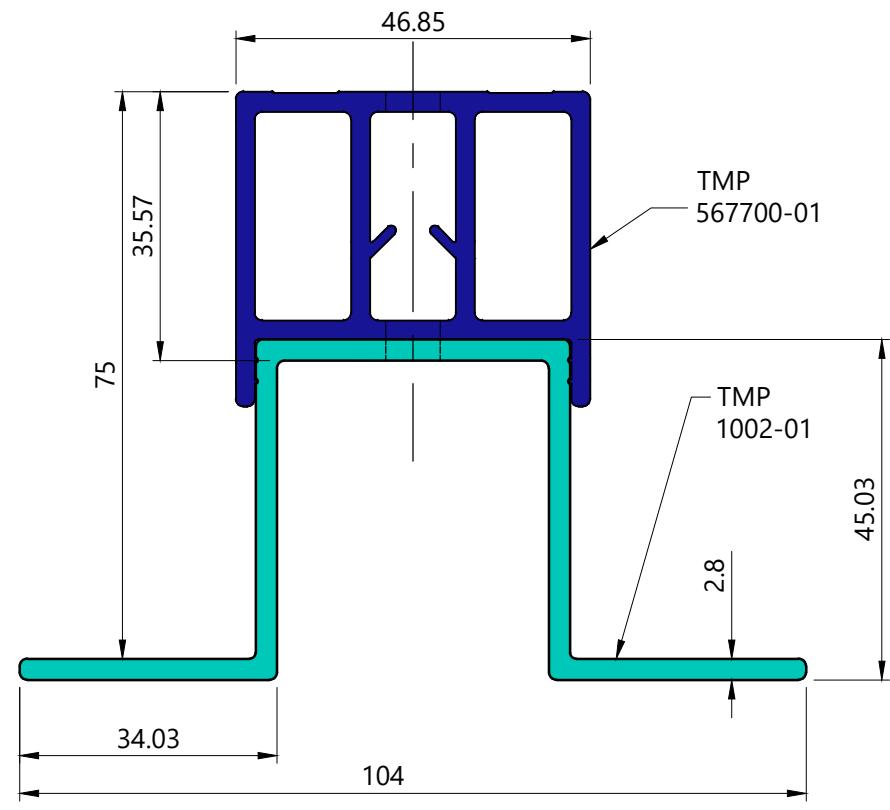
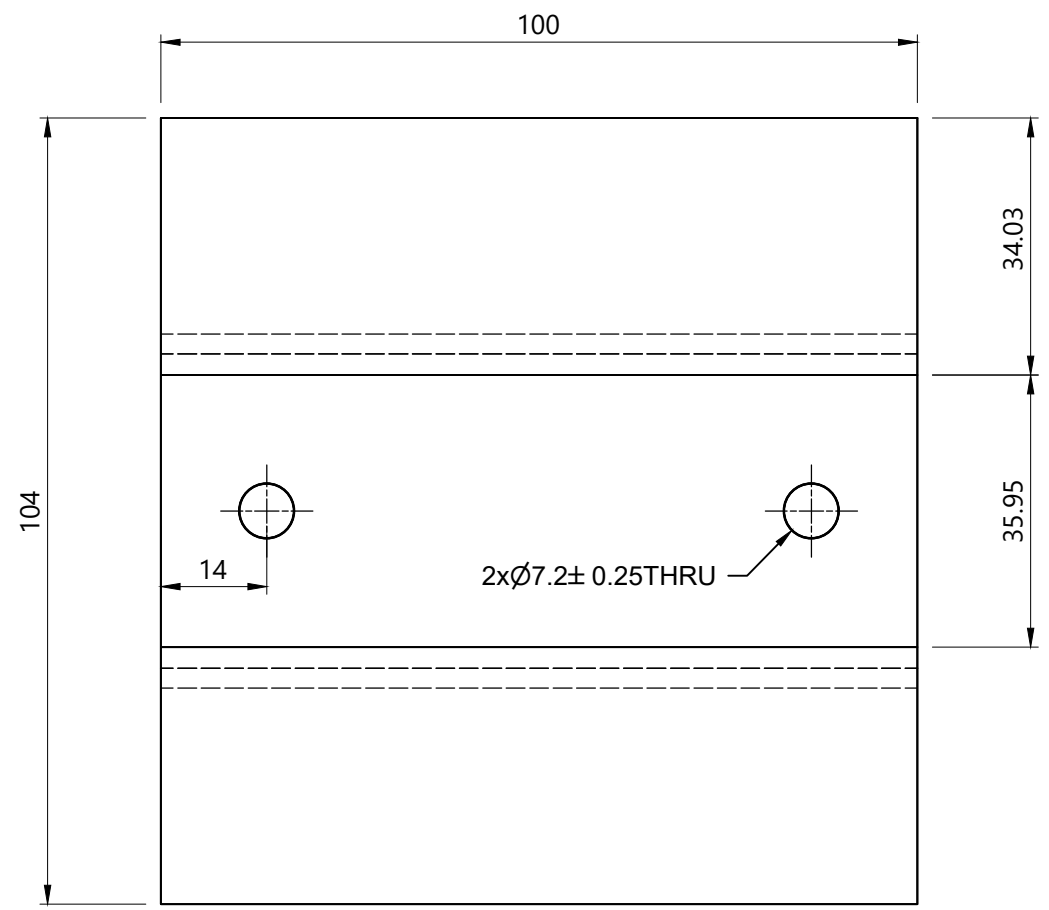
B

C

D



*ISOMETRIC MODEL VIEW
NOT TO SCALE

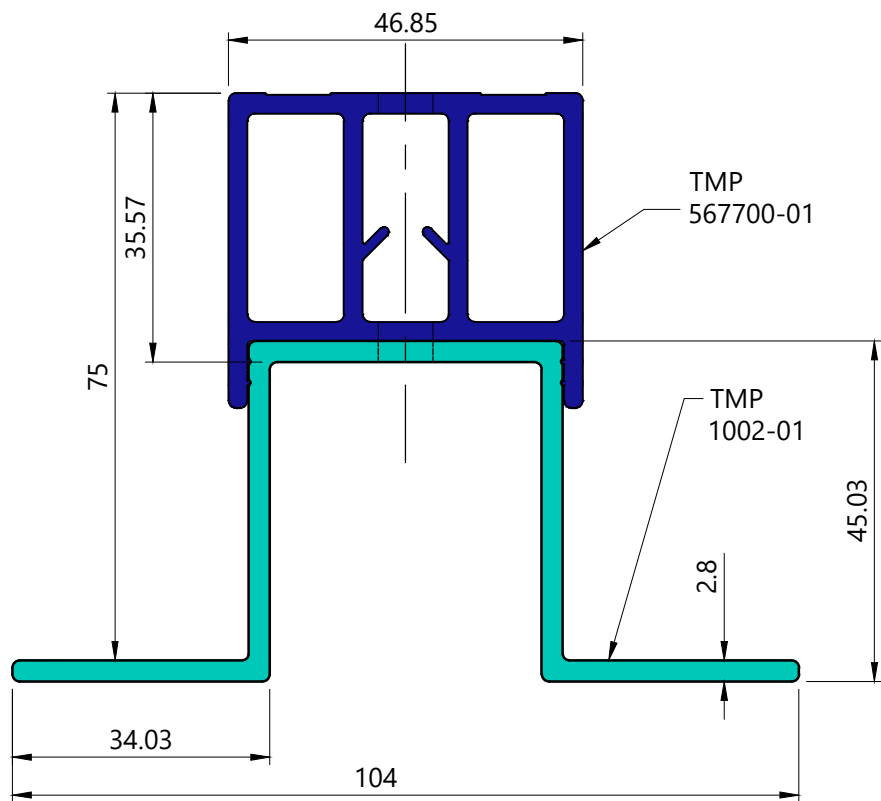


Rev. #	Description	Date
1	Initial	13/03/2024

Checked date	Engineering approved date	Fabrication approved date	TECHNOFORM	Revision	Sheet
Drawn by JYL	Date 20/02/2024	A3 Scale 1 : 1			
75mm TIC ASSEMBLY			TIC 75	-	1 / 4

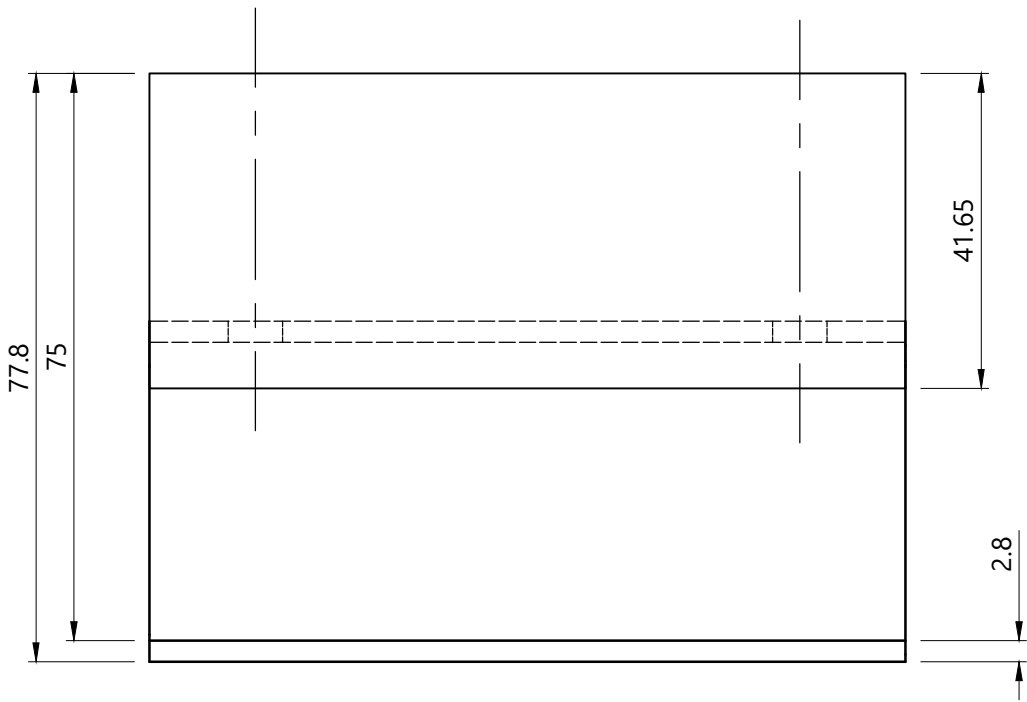
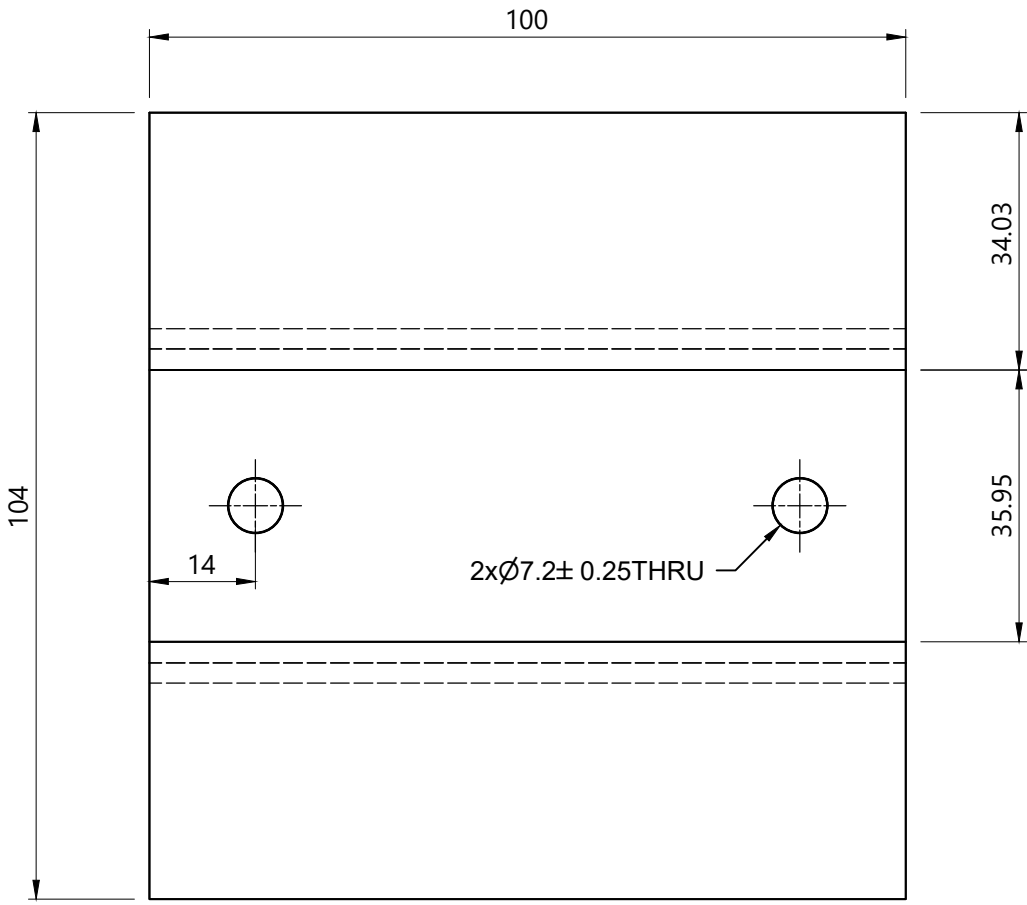
1 2 3

Scale
1:1



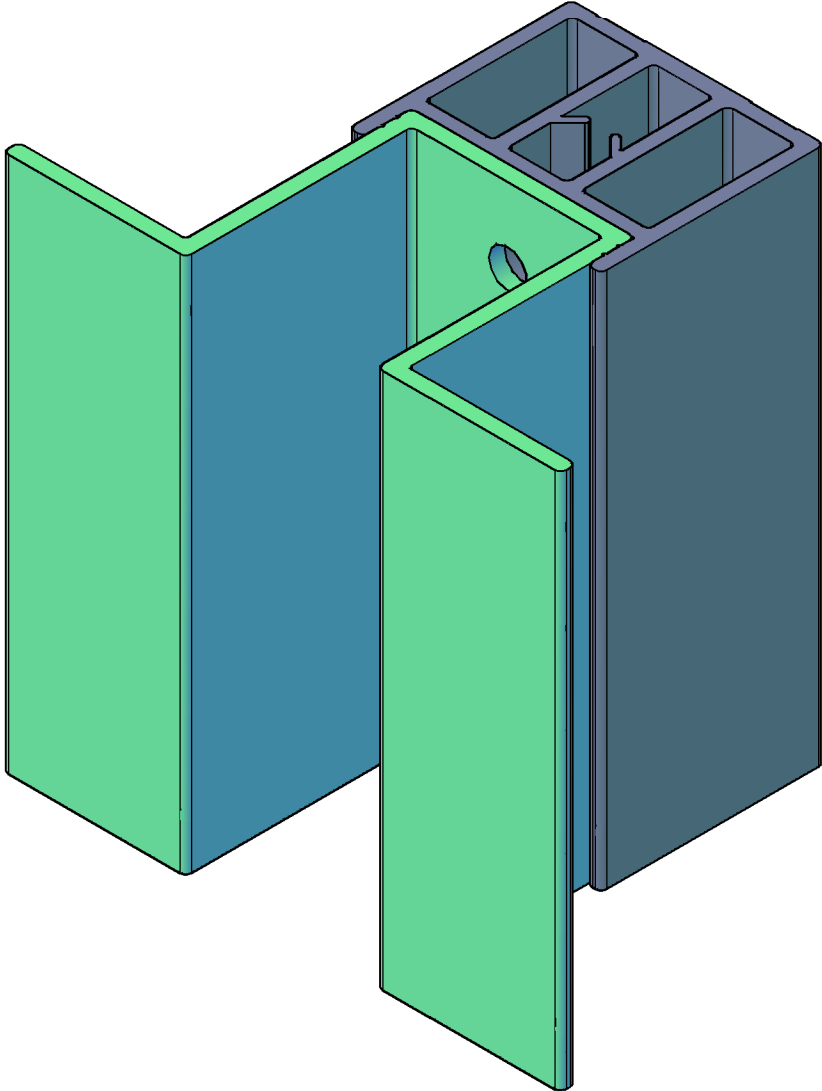
Revision	Weight	Scale 1 : 1	Date 27/02/2024	Components TMP 1002-01 TMP 567700-01
----------	--------	----------------	--------------------	--

Scale
1:1



Revision	Weight	Scale 1 : 1	Date 27/02/2024	Components TMP 1002-01 TMP 567700-01
----------	--------	----------------	--------------------	--

Scale
1:1



Revision	Weight	Scale 1 : 1	Date 27/02/2024	Components TMP 1002-01 TMP 567700-01
----------	--------	----------------	--------------------	--

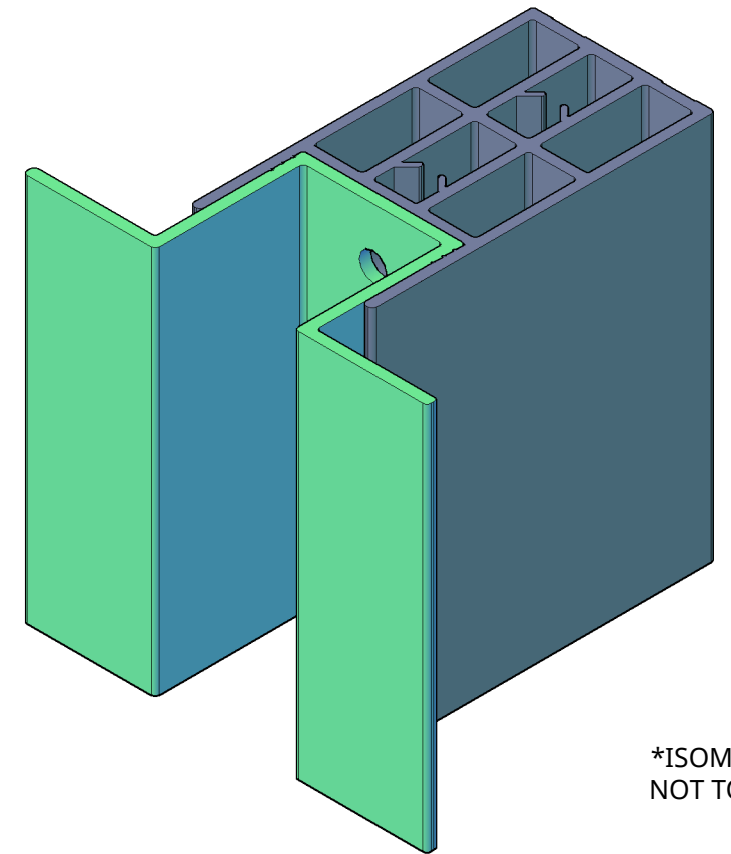
1 2 3 4 5 6

A

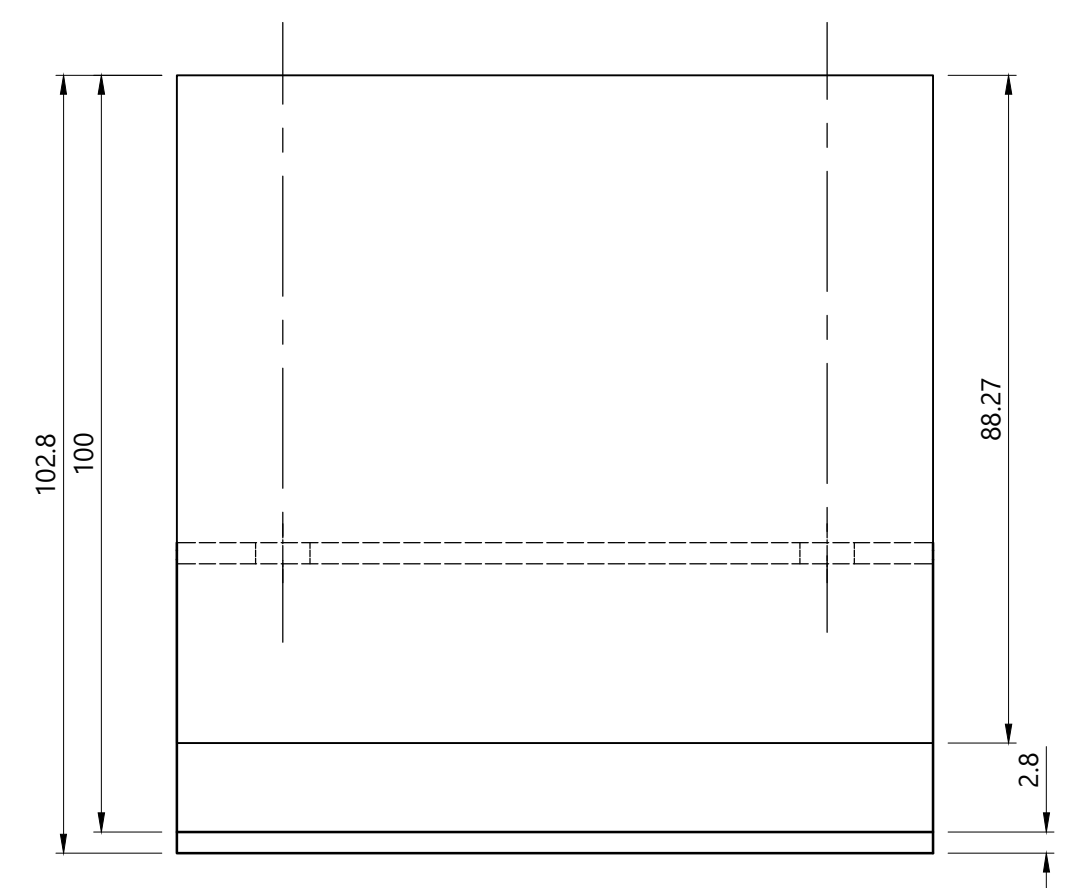
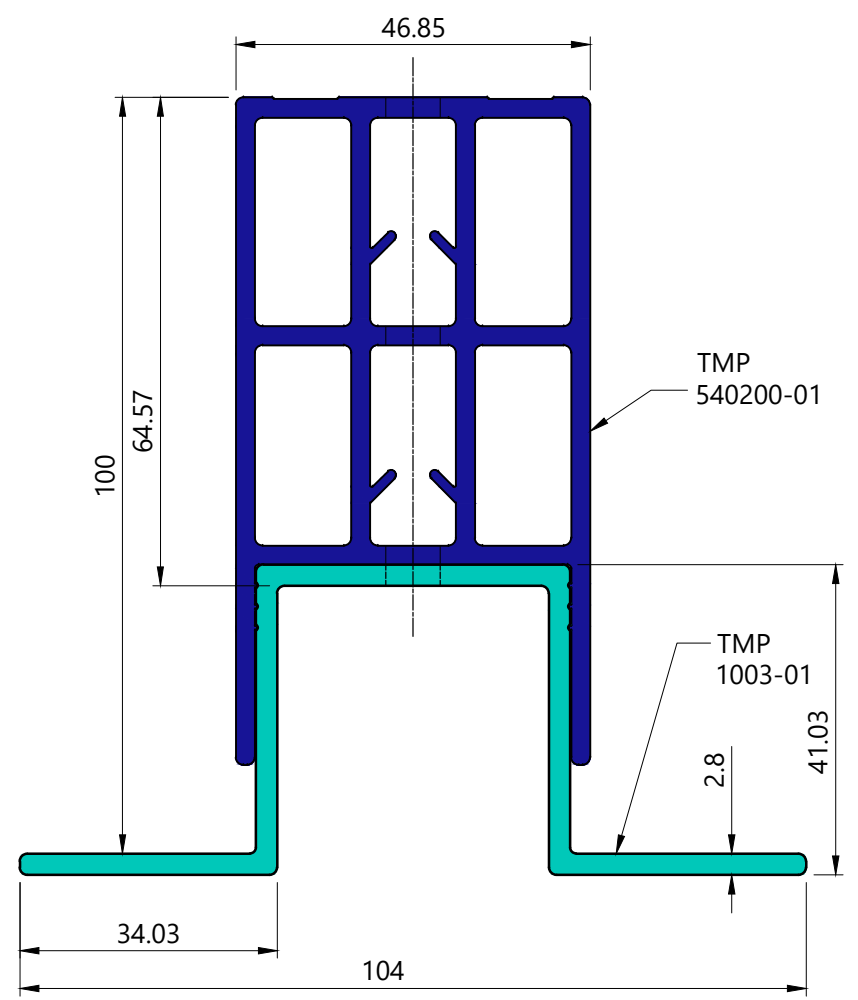
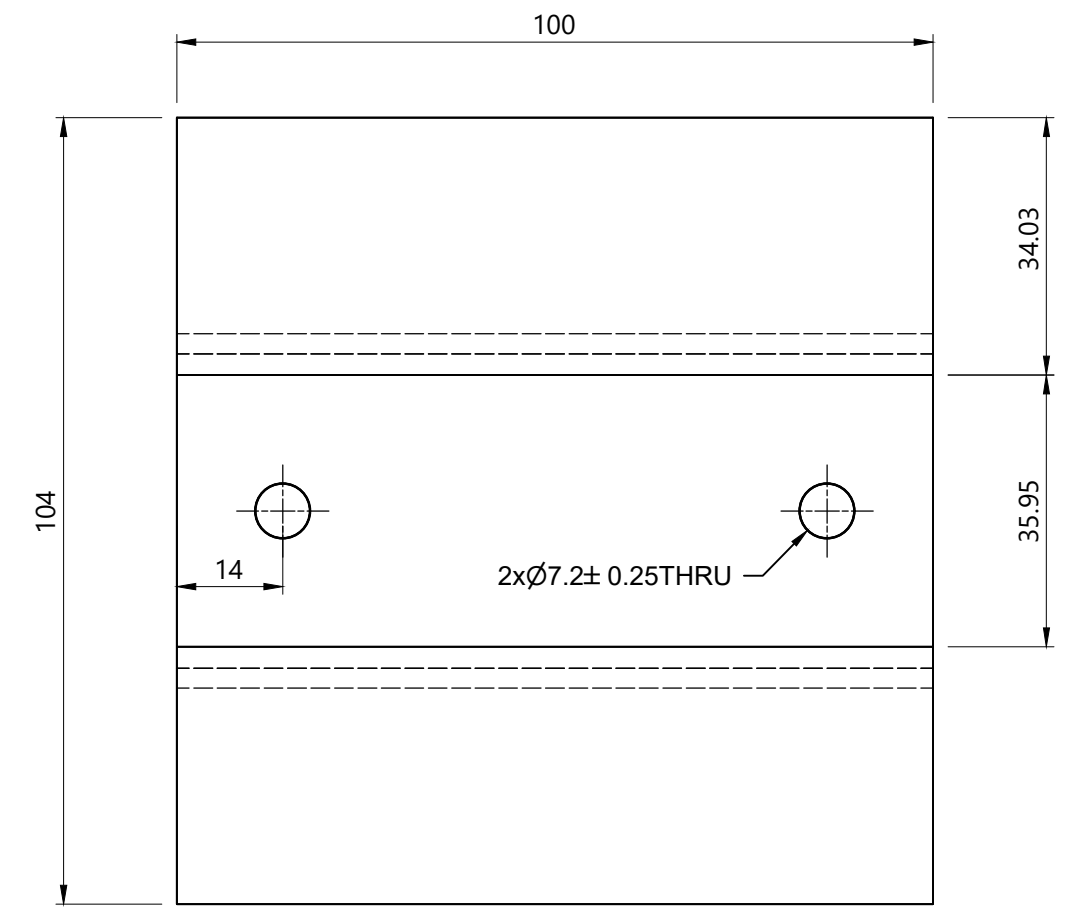
B

C

D



*ISOMETRIC MODEL VIEW
NOT TO SCALE



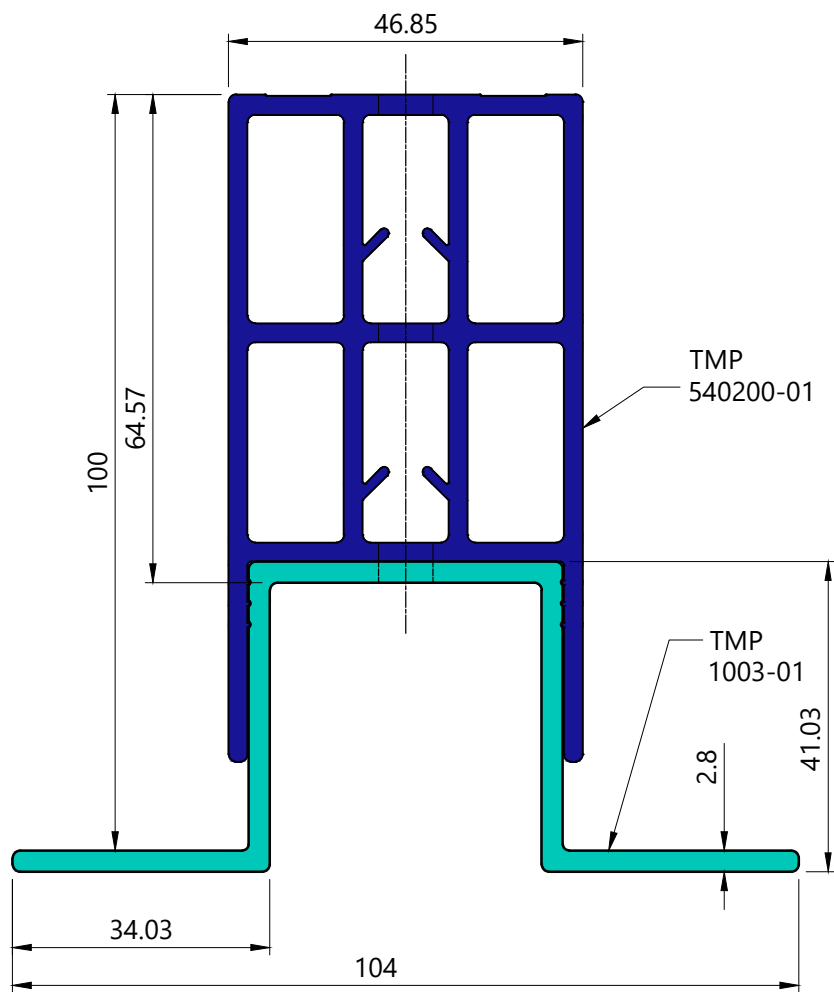
Rev. #	Description	Date
1	Initial	13/03/2024

Checked date	Engineering approved date	Fabrication approved date
Drawn by JYL	Date 20/02/2024	A3 Scale 1 : 1
100mm TIC ASSEMBLY		

TECHNOFORM

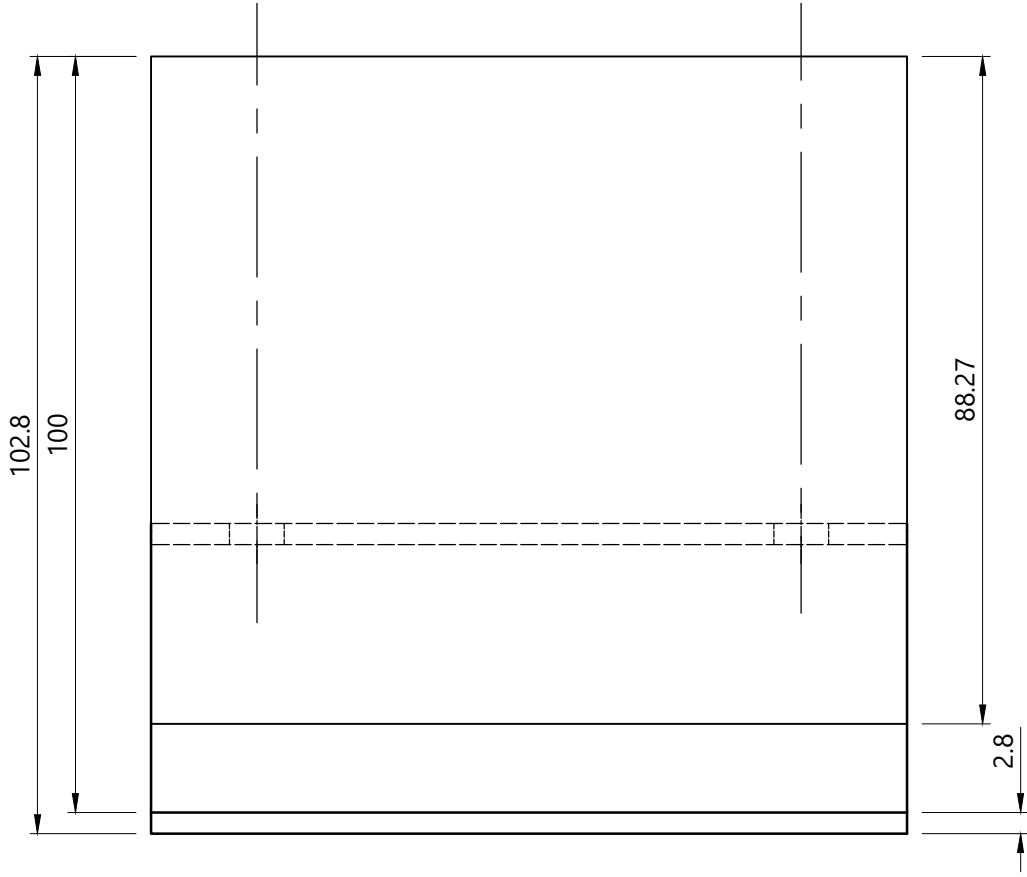
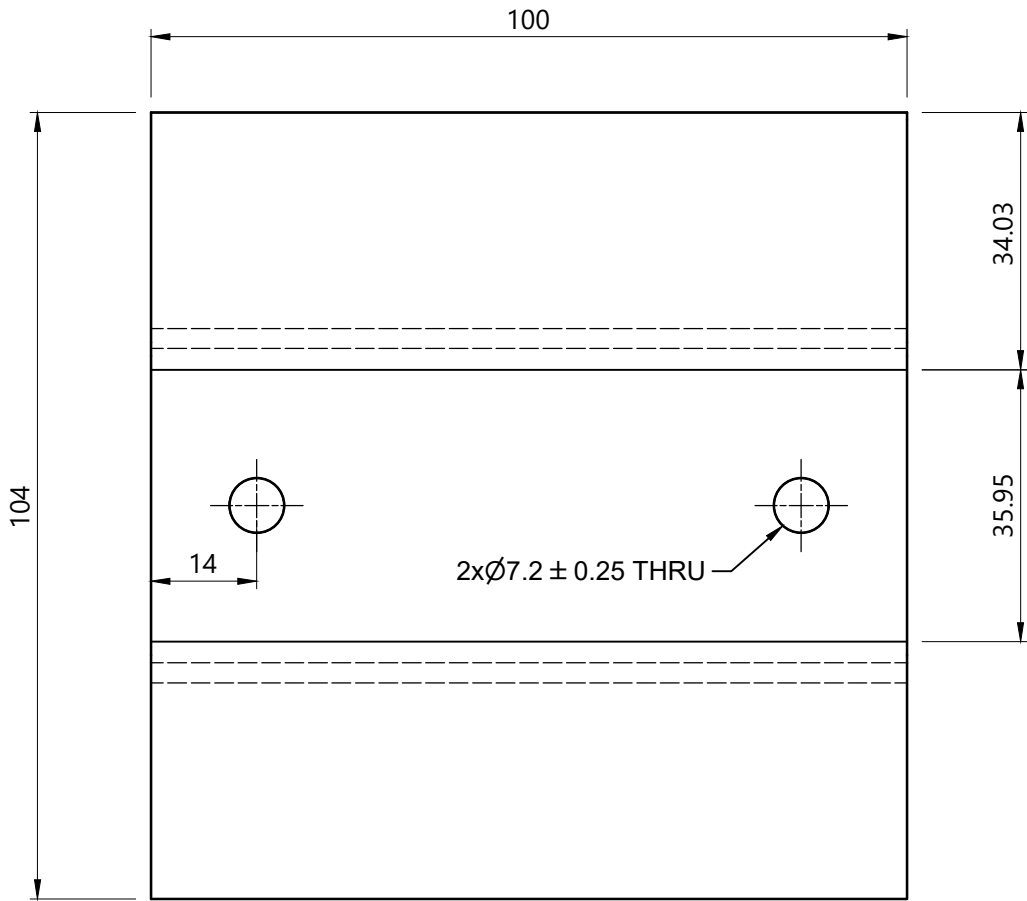
TIC 100	Revision -	Sheet 1 / 4
---------	---------------	----------------

Scale
1:1



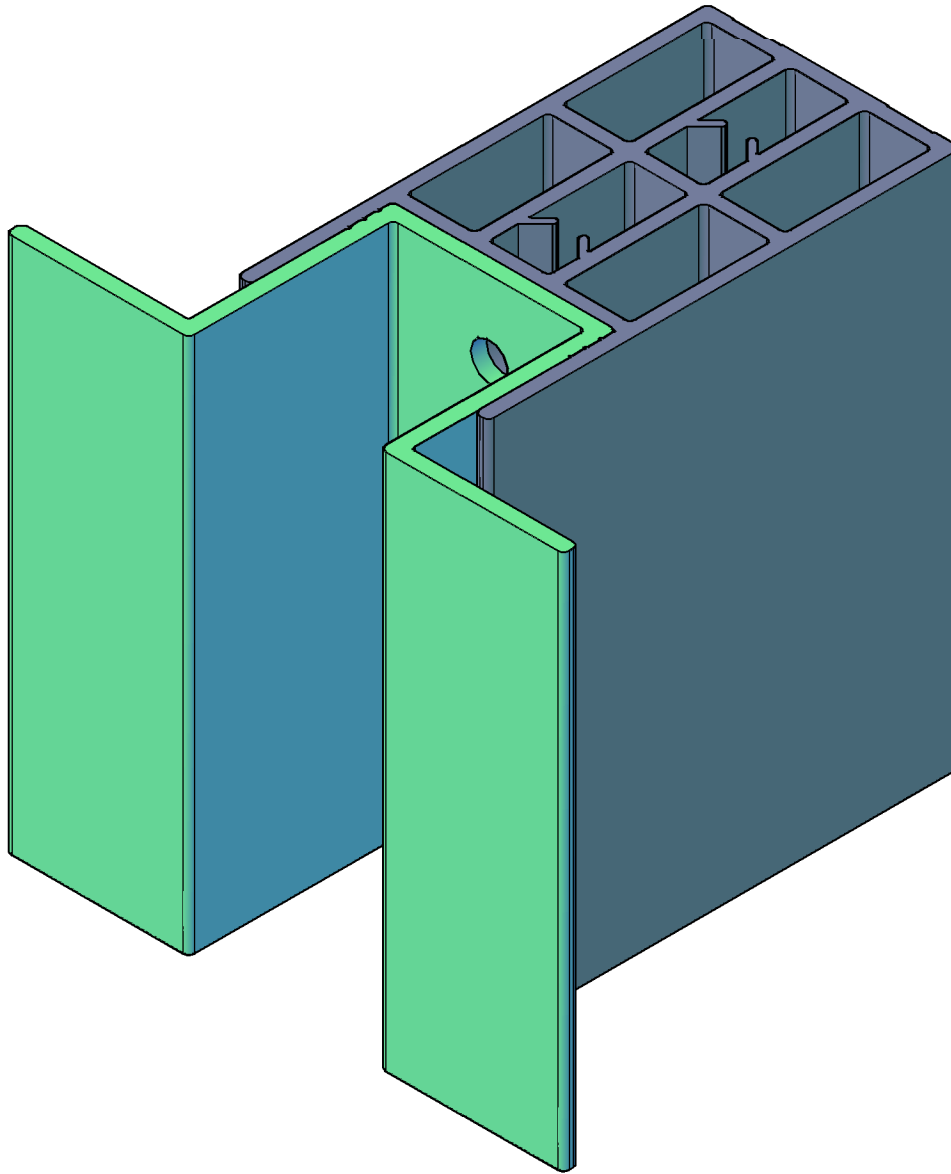
Revision	Weight	Scale 1:1	Date 27/02/2024	Components TMP 1003-01 TMP 540200-01
----------	--------	--------------	--------------------	--

Scale
1:1



Revision	Weight	Scale 1 : 1	Date 27/02/2024	Components TMP 1003-01 TMP 540200-01
----------	--------	----------------	--------------------	--

Scale
1:1



Revision	Weight	Scale 1 : 1	Date 27/02/2024	Components TMP 1003-01 TMP 540200-01
TECHNOFORM				Size A4
Drawing Name 100mm Thermal Isolator Assembly 3D Isometric View				Page 4

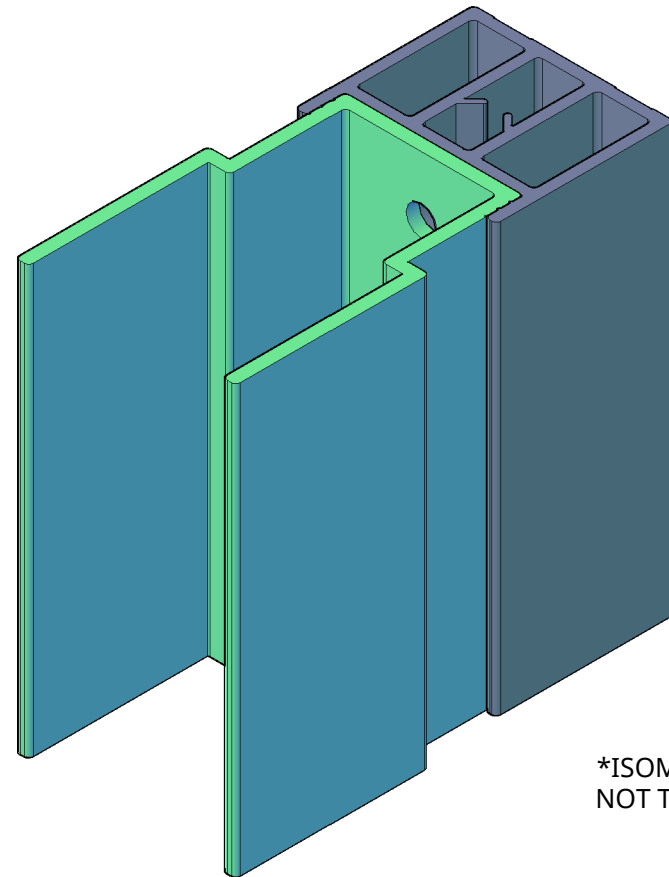
1 2 3 4 5 6

A A

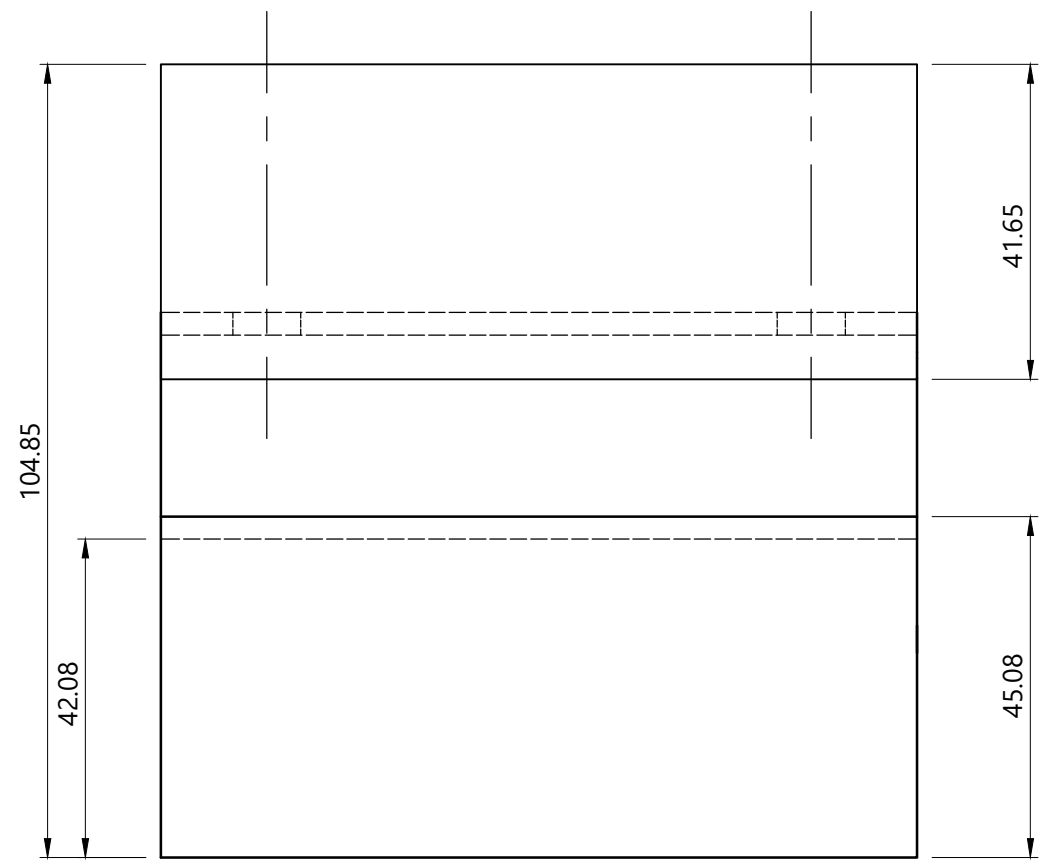
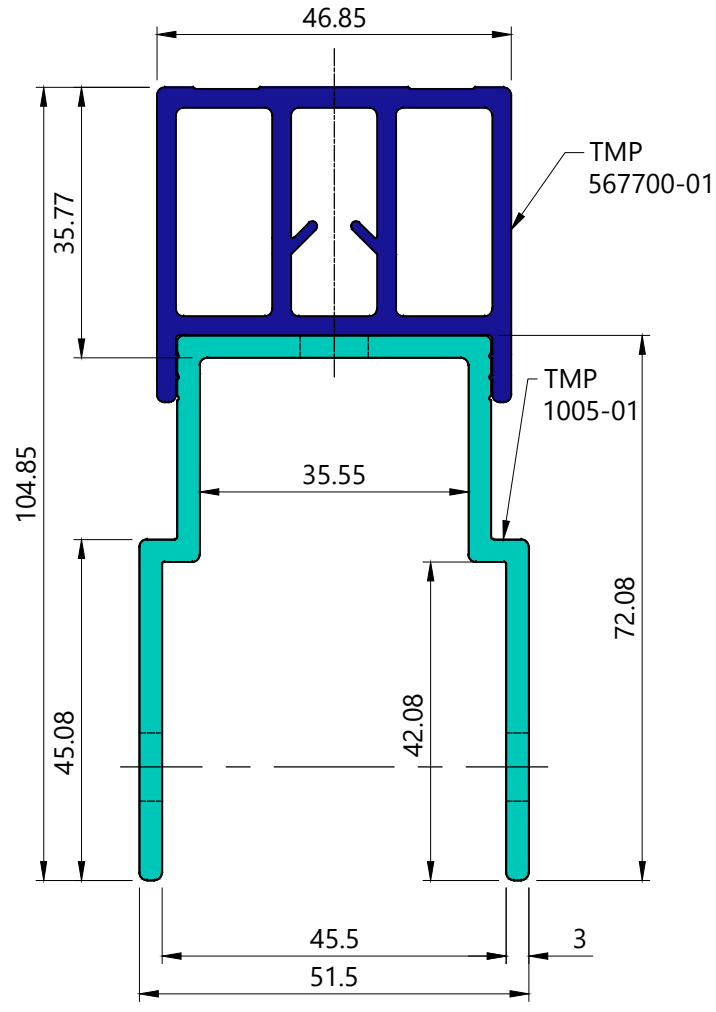
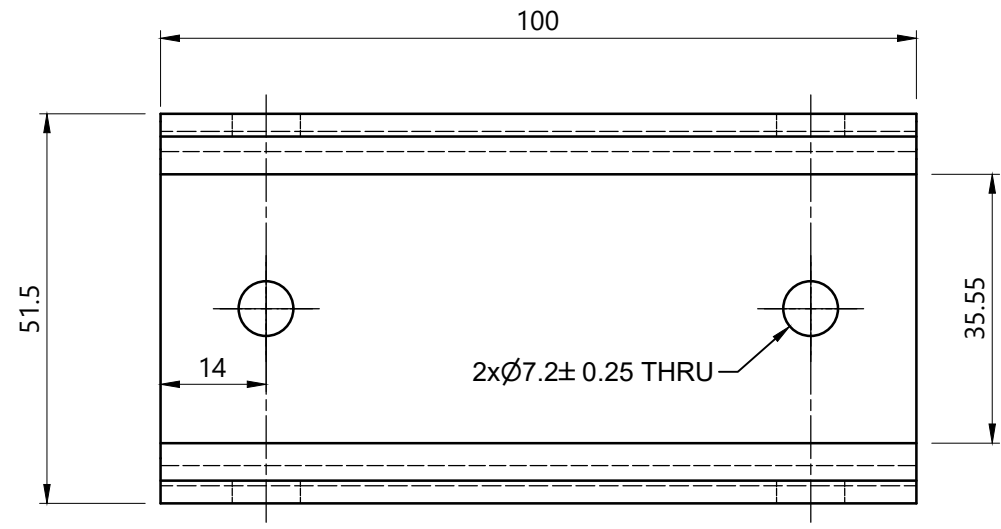
B B

C C

D D



*ISOMETRIC MODEL VIEW
NOT TO SCALE



Rev. #	Description	Date
1	Initial	13/03/2024

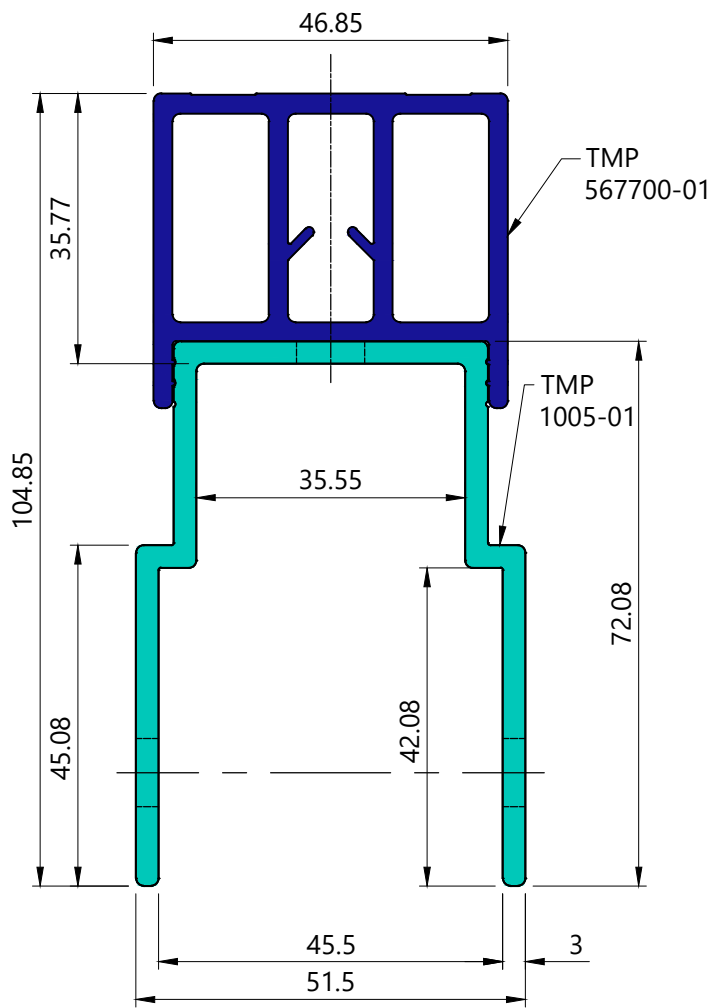
Checked date	Engineering approved date	Fabrication approved date
Drawn by JYL	Date 20/02/2024	A3 Scale 1 : 1
U-CHANNEL TIC ASSEMBLY		

TECHNOFORM

TIC U

Revision	Sheet
-	1 / 4

Scale
1:1



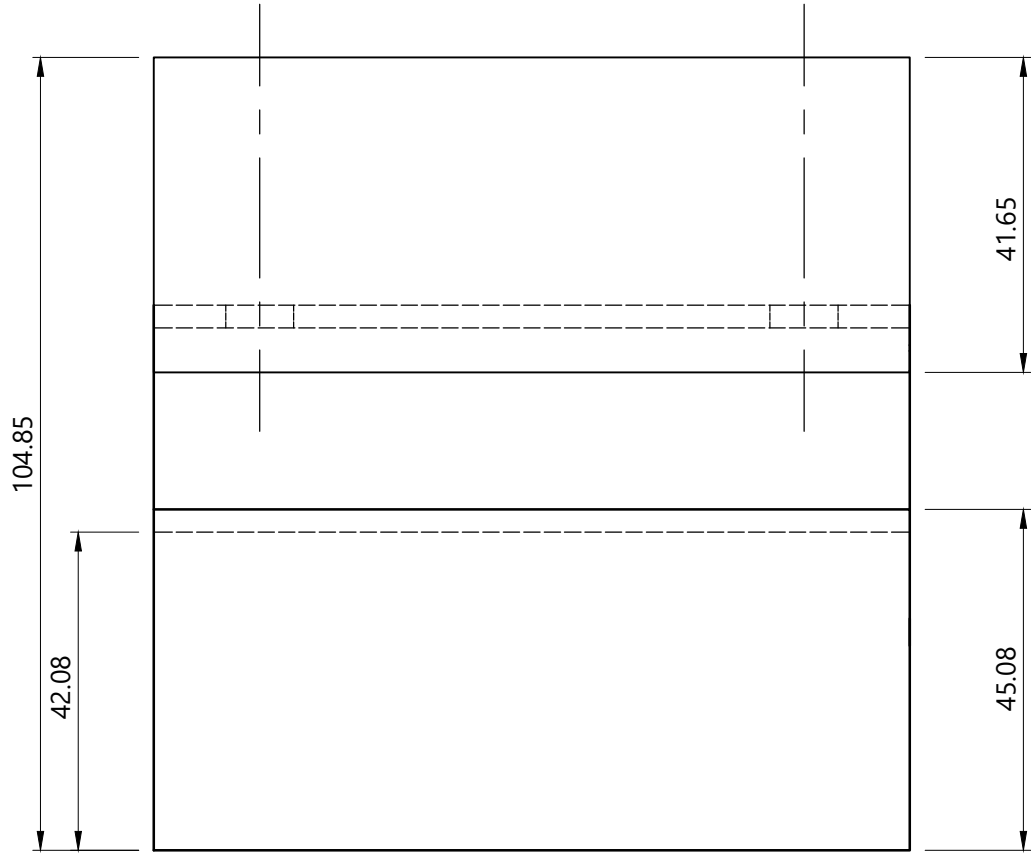
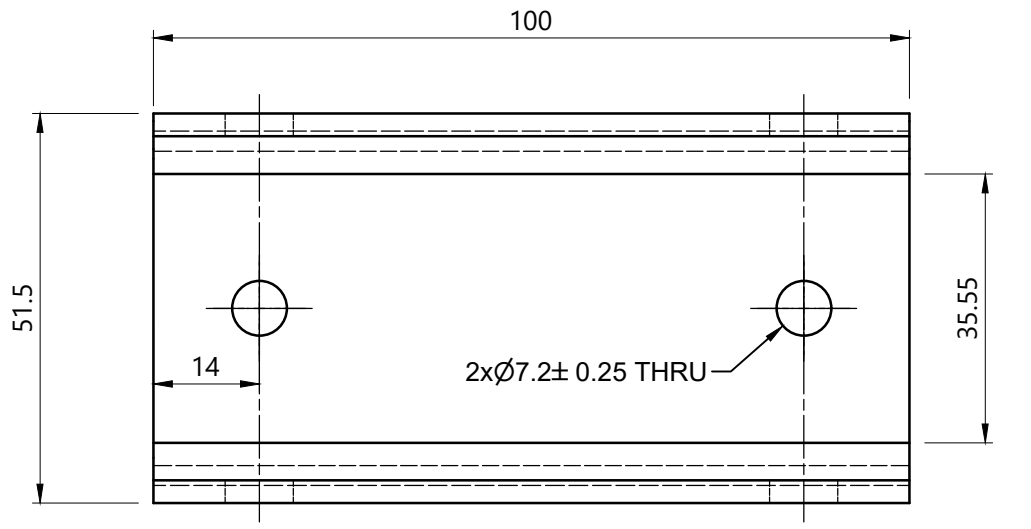
Revision	Weight	Scale 1 : 1	Date 27/02/2024	Components TMP 1003-01 TMP 540200-01
----------	--------	----------------	--------------------	--

TECHNOFORM

Drawing Name
U Channel Thermal Isolator Assembly Section View

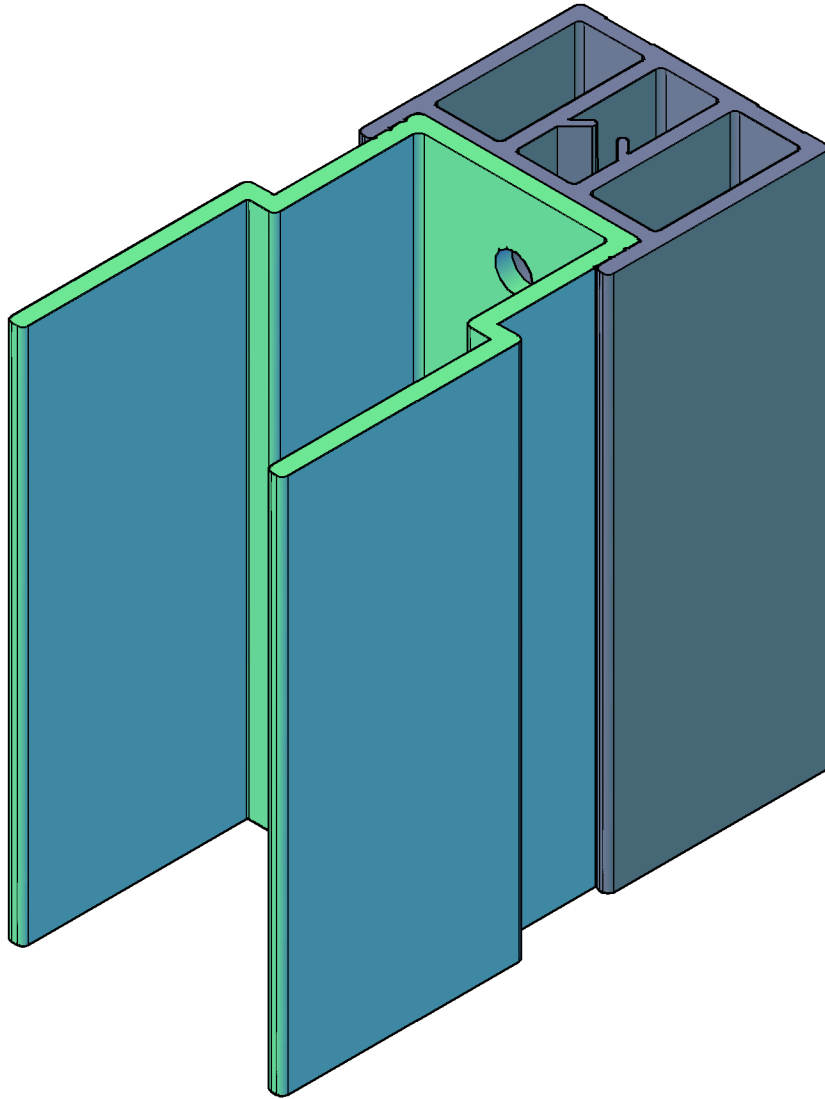
Size A4
Page 2

Scale
1:1



Revision	Weight	Scale 1 : 1	Date 27/02/2024	Components TMP 1005-01 TMP 540200-01
----------	--------	----------------	--------------------	--

Scale
1:1



Revision	Weight	Scale 1 : 1	Date 27/02/2024	Components TMP 1005-01 TMP 540200-01
TECHNOFORM				Drawing Name U Channel Thermal Isolator Assembly 3D Isometric View
				Size A4 Page 4