



MASONS

Designed Smart, Built Tough.

Enviro™

AAC Wall Panel

TECHNICAL MANUAL

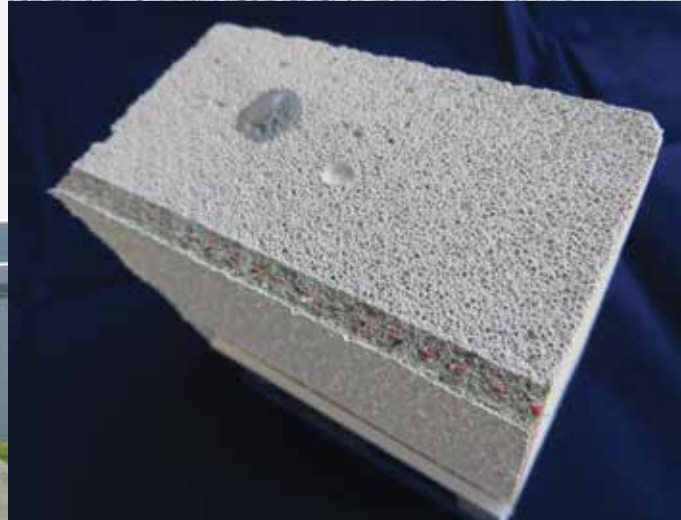
CodeMark >>>

CM70092



www.mpb.co.nz

MASONS
Designed Smart, Built Tough.



Enviro™

AAC Wall Panel



Enviro™ Panel is a cavity based, lightweight aerated concrete (AAC) panel system, with steel reinforcing through the centre for added strength.

The unique air-cells in the concrete absorb and reduce noise. It's cost effective, quick to install and a strong solid substrate to use to finish plaster buildings. Enviro has a complete flashing system for windows and doors, to stop water from penetrating. But if water does get through Enviro has an excellent airflow cavity system to allow moisture to dry out and weep-holes to drain water out of the wall. AAC products have a very low environmental impact and have exceptional thermal and acoustic values.

Dry Density	525 kg/m ³
Compressive Strength	4.0 Mpa
Dry Shrinkage Value	0.8 mm/m
Water Absorption (by volume)	Up to 24 - 35%
Thermal Conductivity	0.13 w/mk
Sound Transmission Loss (STL)	33 dB for 1000Hz
Fire Resistance	1.5 hours

STOCKED IN:
AUCKLAND, WELLINGTON
& CHRISTCHURCH

Panel dimensions: 2200MM x 600MM
Thickness: 50MM



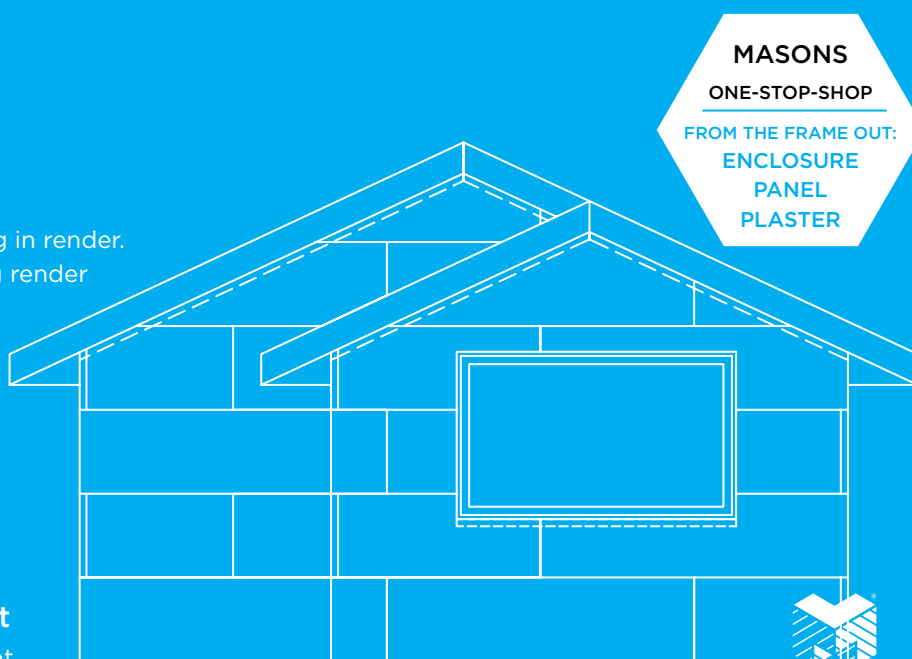
CodeMark >>>
CM70092

SYSTEM PROCESS

- 1/ Building System Products**
Masons DPC, Building Wrap or UNI, Flashing Tape, PEF Rod ect
- 2/ Cavity Battens**
20mm Poly Battens or
20mm - 45mm Timber Battens
- 3/ Enviro™**
50mm Panel
- 4/ PlastaSeal™ Sealer**
by Masons
- 5/ Fibreglass Mesh 150gsm**
Embedded in selected meshing in render. Enviro X, Skimming or Meshing render
- 6/ Skimming Fill-out Coat**
This coat is optional
- 7/ Selected Finishing Coat**
Masons 1 or 2mm or Adobe
- 8/ Limestop Sealer**
- 7/ Premium High Build Paint**
2 Coats of Exterior Acrylic Paint

Enviro Panel 50mm is used for residential and commercial exterior wall cladding. Enviro 75mm can be used as a quick install flooring solution or fencing system.

DWG, DFX and PDF Detail drawings available from www.mpb.co.nz/cad-details



MASONS
ONE-STOP-SHOP
FROM THE FRAME OUT:
ENCLOSURE
PANEL
PLASTER



MASONS
Designed Smart, Built Tough.

Enviro has a Codemark certifying that it meets the equipments of the NZ Building Code. Please visit the MBIE website Codemark product register for the latest certificate.

DISCLOSURE NOTE:

The information provided is for guide only and must be used alongside professional architectural/structural design. Professional architectural/structural design takes preference with any conflicting areas of the building design. All documents or data downloaded from www.mpb.co.nz or emailed from Masons NZ Limited is the intellectual property of Masons NZ Limited. Masons NZ Limited takes no responsibility for any of the documents or data being used for any other purpose than for professional architectural/structural design.

1.1 PRODUCT DESCRIPTION

CONSIDERATIONS

GENERAL

AAC ENVIRO Panels must be installed as per the details shown in this manual to ensure the quality of the cladding system. AAC ENVIRO Panels must not be installed in any situation where it will come into contact with the ground. AAC ENVIRO Panels cannot be used as retaining walls.

All details have been drawn with branded products including: Masons building wrap, Masons DPC (DryFix), Masons Window Tape and Bostik safe seal. These product brands can be substituted with other brands that meet the building code. For the tanking of the rebate in the slab, Masons DPC can be substituted with Masons Hydro Seal or similar products that meet the building code requirement.

AAC ENVIRO PANEL PROPERTIES

Dry Density:.....	525kg/m ³
Comprehensive Strength:	4.0Mpa
Dry Shrinkage Value:.....	0.6mm/m
Water Absorption (by volume):.....	Up to 24 - 35%
Thermal Conductivity:.....	0.13w/mk
Sound Transmission Loss (STL):	33 (50mm bare panel)
Fire Resistance:.....	1.5 hours
Panel Size:.....	2200mm x 600mm x 50mm

PERFORMANCE

AAC ENVIRO panels fixed in accordance with the instructions and details in this manual are able to withstand wind loads and seismic loadings within the scope of NZS 3604.

- B1 - Structure
- B2 - Durability
- E2 - External Moisture
- F2 - Hazardous Building Materials

STRUCTURE

In terms of NZS 3604:2011 incorporating amendments 1 & 2, AAC Panels fixed as per this manual are able to withstand all earthquakes and wind loadings in all areas of New Zealand.

SAFETY PRECAUTIONS

AAC ENVIRO Panel is Autoclaved Aerated Concrete. As with all concrete and fibre cement products, the dust produced when cutting or grinding them contains crystalline silica. This dust is irritating to the eyes, skin and respiratory system. Inhalation of this dust can cause irreversible damage to health. Wear suitable protective clothing and gloves at all times. When cutting, drilling or grinding panels do so in an open air environment or areas that are well ventilated and wear approved safety glasses and dust mask. All aspects of cutting, drilling or grinding must comply with the latest regulations of the Occupational Safety and health division of the Labour Department.

HANDLING & STORAGE

AAC ENVIRO Panels should be stored on site on the pallets they are delivered on and kept covered and free of dampness until required. Care should be taken when handling to limit damage to edges or corners.

DURABILITY & EXTERNAL MOISTURE

AAC ENVIRO Panel fixings in accordance with this manual will meet the requirements of NZBC Clause B2.3.1 (b). The cavity is provided to;

- Allow moisture to run down the inside of the AAC ENVIRO Panel and escape through the weep-holes without bridging the cavity.
- Provide sufficient air space permitting air to circulate within the cavity and dry the AAC ENVIRO Panel.

The Masons plastering system meets the requirements of NZBC Clause B2.3.1 & E2.2.3 to finalise this wall cladding system.

Inter-storey drained joints must be provided for walls over two storeys in height, in accordance with the requirements of NZBC acceptable solution E2/AS1, paragraph 9.1.9.4 (b). Note: Refer to Paragraph 14.2 for the requirements for barriers to vertical fire spread at inter-storey junctions for buildings of 3 or more floors).

HAZARDOUS BUILDING MATERIALS

AAC ENVIRO Panels are non-hazardous in terms of Clause F2 of the NZBC provided the safety precautions included in the manual are adhered to.

SCOPE AND LIMITATIONS

AAC ENVIRO Panel System is to be installed on timber framed buildings within the scope of paragraph 1.2 of Acceptable Solution E2/AS1 that are designed to NZS 3604 or steel framed buildings that are designed to NASH 3405.

Enviro is based on a 20-45mm batten system. At times when ply bracing is required, it is acceptable to cut the battens down to size, however battens must not be reduced smaller than 20mm. Any batten size between 20-45mm can be used on a building.

MAINTENANCE & DAMAGE

All information relating to the maintenance and repair of the coating system is provided by the applicator. Or refer to the CodeMark Assessment Brief # CMA-AB130241 Pages 6 & 10.

PLASTER SPECIFICATIONS

OPTION 1: MINERAL PLASTER

- **Masons PlastaSeal™ Sealer**
- **Fibreglass Mesh 150gsm:** Embedded in Masons Skimming or Meshing or Enviro X render
- **Skimming Fill-out Coat:** This coat is optional
- **Selected Finishing Coat:** Masons 1 or 2mm texture or Adobe

FINISHED WITH

- **Premium Lime Stop Sealer:** Applied over plaster finish to seal the plaster prior to painting.
- **Premium Build Elastomeric Acrylic Latex Paint:** Applied in two coats to the plastered surface.

OPTION 2: ACRYLIC PLASTER

The highly flexible properties of Masons FLX™ provide a crack resistant finish on the exterior surface of the substrate.

- **Masons PlastaSeal™ Sealer**
- **Optional Levelling Coat:** Masons Skimming or Meshing render
- **Fibreglass Mesh 150gsm:** Embedded in Masons FLX Bedding plaster
- **FLX™ Texture coat:** 3-4 mm of FLX™ 1,2 or 3mm texture
(can be pre-coloured and replace one coat of paint)

FINISHED WITH

- **Cure Finish:** Cure and protect from rapid drying in accordance with Masons requirements.
- **Premium Build Elastomeric Acrylic Latex Paint:** Applied in two coats to the plastered surface.

NOTE: Use the Specification Document to specify plaster type, texture and colour.

FURTHER DETAILS

This manual covers the most commonly used applications of the Masons ENVIRO AAC Panel System in the pages following. If specifiers require additional or modified details please contact Masons NZ Limited.

LIST OF COMPONENTS

AVAILABLE THROUGH MASONS:

Substrate Panels	QTY	Masons Code
Enviro Panel Wall - 2200x600x50mm	Single	ENVPAN

Enviro Glue & Screws	QTY	Masons Code
Enviro Jointing Glue	Single	PBEJG
Enviro Screw 75mm - Stainless Steel	Single	ENV75SS PANEL SC
Enviro Screw 75mm - Galvanised	Single	ENV14X75PS
Enviro Screw 100mm - Stainless Steel	Single	ENV100 SS
Enviro Screw 100mm - Galvanised	Single	ENV14X100PS

ENVIRO jointing glue is used in jointing and stopping of ENVIRO panels.

Cementitious Plaster Renders	QTY	Masons Code
Enviro X Coating Render	25Kg Bag	PLEX20
Adobe Render	25Kg Bag	PBAD
Basecoat Render	25Kg Bag	PLBC20
Meshing Render	25Kg Bag	PLMR20
Meshing Render Fine	25Kg Bag	PLMRF20
Skim Coat Render	25Kg Bag	PLSK20
Sponge Finish 1mm	25Kg Bag	PL1M20
Float Coat 1mm	25Kg Bag	PLFLOAT

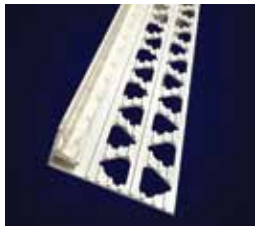
Flashings & Beads	QTY	Masons Code
Enviro Reveal Bead	Single	ENVRB
Enviro Sill Flashing, 50mm	Single	MPSF50
Enviro Base Shoe/Head Flashing 50mm	Single	MPBSC50
Control Joint PVC 8mm - 3mtr	Single	CJ
Plaster Jamb Perforated 50mm	Single	PJAM50MM
Edge Finishing Bead	Single	EDFINBEADSGLE
Meshed Corner Beads	Single	PREMESH CNR
Corner Bead PVC, 20x20mm 2.7mtr	Single	CB
Corner Soaker PVC	Single	PVCCS

Mesh	QTY	Masons Code
Masons Semi Soft Mesh 1.2m x 50mtr	Single	MPMSS1.2

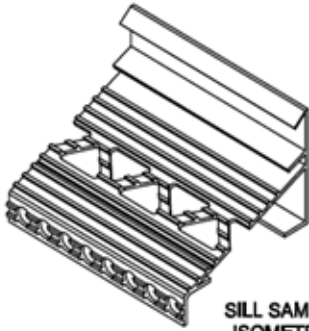
Weephole Vent	Size	Masons Code
Metal Louvre Weephole vent	50x100mm	VENT



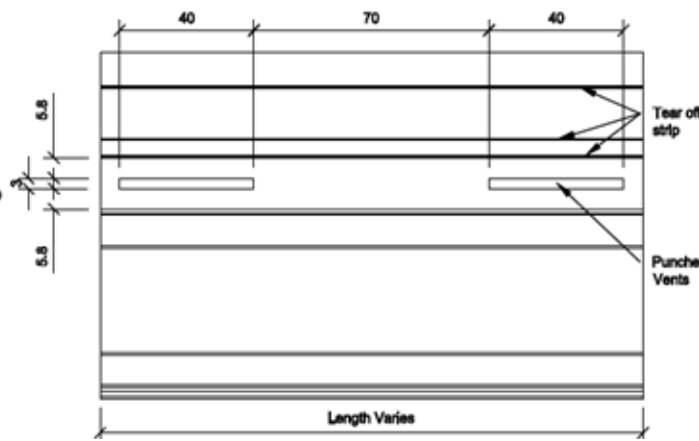
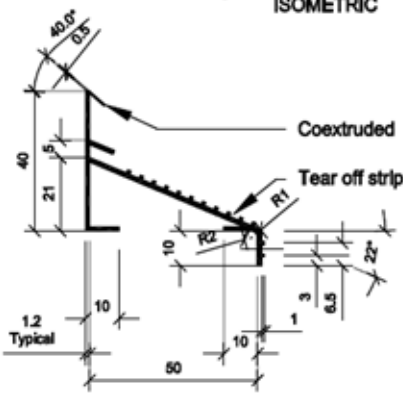
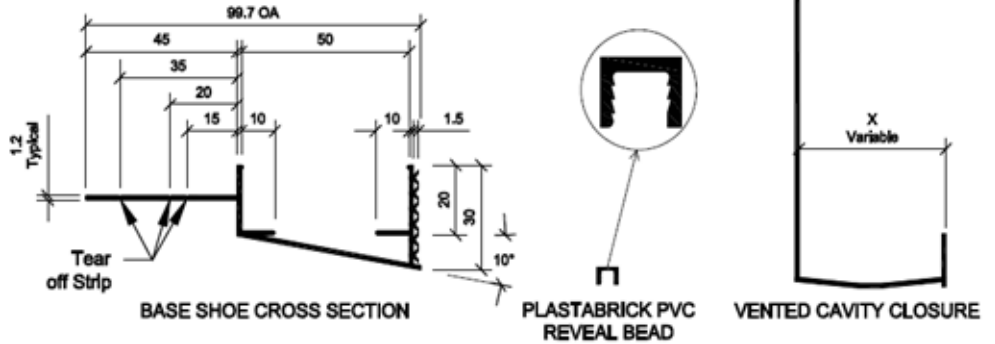
PLASTER JAMB



PERFORATED JAMB FLASHING



SILL SAMPLE ISOMETRIC



ADDITIONAL COMPONENTS

Accessories	Description	Supplier & Product
AAC ENVIRO Tie	AAC 50x20 continuous H Grade EPS or continuous H3.2 timber battens. or 45mmx45mm H3.2 timber batten cut to 200mm lengths, see Detail 01	Merchant
NAILS	90mm Galvanised ring shank nails are used to fix the ENVIRO ties to the framing. All nails shall comply with Compliance document E2/AS1 Table 20	Merchant
ADHESIVE	All PVC flashing's and mouldings are glued to the ENVIRO panels using BOSTIK Safe Seal construction adhesive.	Merchant
SEALANTS	Low expandable PU foam that complies with AAMA 812-04 for use in control joints of ENVIRO panels. BOSTIK Safe Seal paintable urethane sealant should be applied in strict accordance with the manufacturers specifications.	Merchant
ANTI-CORROSION PAINT	CRC Zinc It (aerosol can 350g) or similar complying with AS/NZS 2311:2000, Part 2.3 is applied to all exposed reinforcing steel.	Paint Shop

Flashing & Bead System

Masons has one of the most comprehensive flashing systems available when it comes to plaster systems.

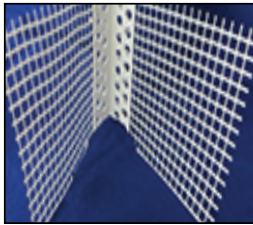
The full flashing system is compliant to E2/VM1 Weathertight Testing.



PLASTER JAMB



MESHED CORNER BEADS



EDGE FINISHING BEAD



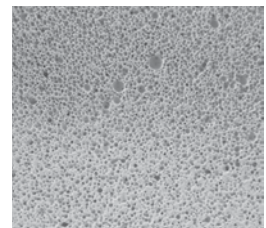
CORNER BEAD



CORNER SOAKER



ENVIRO



CONTROL JOINT



SILL FLASHING



BASE SHOE/HEAD FLASHING



DESIGN INFORMATION

FRAMING

TIMBER FRAMING

7.1 Timber used in timber framing shall be treated as required by NZS 3602.

7.2 Timber framing must comply with NZS 3604 for both buildings or parts of buildings within the scope limitations of NZS 3604. Where buildings or parts of buildings are outside the scope of NZS3604 then they must be to specific design in accordance with NZS 3603 and AS/NZS 1170. Where specific design is required, the framing must be of at least the equivalent stiffness to the framing provisions of NZS 3604. In all cases, studs must be at a maximum of 600mm centres.

7.3 Timber framing and AAC Enviro® Tie battens must have a maximum moisture content of 24% at the time of cladding application. (Problems could arise later on due to timber shrinkage if over 24%)

STEEL FRAMING

7.4 Steel framing must be to a specific design meeting the requirements of the NZBC. (NASH 3405: 2006)

7.5 The minimum steel framing specification is 'C' section studs and nogs of overall section dimensions of 76mm web by 40mm flange. Steel thickness must be a minimum 0.55mm.

7.6 In all cases, studs must be at maximum 600mm centres. Dwargs must be fitted flush with the stud.

ENVIRO® AAC PANEL LAYOUT

7.7 Enviro® AAC Panels are installed horizontally in a stretcher bond pattern. Vertical panel edges may be jointed on stud or off stud. Enviro® AAC Panels must be supported at fixing locations with vertical cavity battens or cavity spacers 100mm long max. in accordance with the requirements of NZBC Acceptable Solution E2/AS1, paragraph 9.1.8.2(f). At the base of the wall the Enviro® AAC Panel can be either rested on a concrete rebate (50-100mm below finished floor level) or hang 50mm below the finish floor level.

GENERAL

8.1 Punchings in the cavity closer, and the 5mm gap under the head flashings, provide a minimum ventilation opening area of 1000mm² per lineal metre of wall as per the requirements of NZBC Acceptable Solution E2/AS1, paragraph 9.1.8.3 (b).

8.2 The Masons NZ Ltd aluminium weep hole vents provide a minimum ventilation opening area of 1000mm² per lineal metre of wall when fixed at 1200mm centres as per the requirements of NZBC Acceptable Solution E2/AS1 paragraph 9.1.8.3 (b).

8.3 The clearance between the finished floor level and ground level as outlined in NZS 3604 must be adhered to at all times. At ground level, paved surfaces must be kept clear from the bottom edge of the Enviro® AAC Panel System by a minimum of 100mm, and unpaved surfaces by 175mm in accordance with the requirements of NZBC Acceptable Solutions E2/AS1, Table 18.

8.4 At balcony, deck or roof to wall junctions, the bottom edge of the Enviro® AAC Panel must be kept clear of any adjacent surface, or above the top surface of any adjacent roof flashing by a minimum of 35mm in accordance with the requirements of NZBC Acceptable Solution E2/AS1, paragraph 9.1.3.6.

8.5 Where the Enviro® AAC Panel Systems abuts other cladding systems, designers must detail the junction to meet their own requirements whilst meeting performance requirements of the NZBC. The Technical Literature does provide some guidance. Details not included within the Technical Literature have not been assessed and are therefore outside the scope of this Appraisal.

CONTROL JOINTS

9.1 Control joints where Enviro® AAC Panels are used must be constructed in accordance with the Technical Literature and provided as follows;

- Horizontal control joints - To be installed when intermediate floor joists are not seasoned and/or when the height of the wall exceeds 10m
- Vertical Control Joints - at maximum 10m centres; aligned with any control joint within the structural framing, or where the system abuts other cladding systems. Located at both internal and external corners.

(Note: Where possible control joints shall be located in line with window and door openings. Horizontal and vertical control joints must be located over structural supports. The Technical Literature provides some guidance for the design of vertical control joints where the system abuts different cladding types. Details not included within the Technical literature or those that are marked as 'Specific Design Only' are outside the scope of the Appraisal Certificate and are the responsibility of the designer.)

STRUCTURE - CLAUSE B 1

MASS

11.1 The dry mass of ENVIRO® AAC Panel is approximately 25kg/m² and when the Masons Plaster System is applied, the wall cladding is then considered a medium wall cladding in terms of NZS 3604.

Impact Resistance

11.2 The system has adequate resistance to impact loads that the cladding system is likely to be subjected to when used in a residential situation. The likelihood of impact damage to the system when used in light commercial situations should be considered at the design stage, with appropriate protection provided such as bollards or barriers where necessary.

WIND ZONE

11.3 The ENVIRO® AAC Panel system is suitable for use in all building wind zones as per NZS 3604, up to, and including 'Extra High' where buildings are designed to meet the performance requirements of NZBC acceptable solution E2/AS1.

ENVIRO® AAC PANEL FIXING

11.4 Where a 45mm cavity is produced the Enviro® Tie Batten is fixed through to the wall framing at 600 centres vertically. The Enviro® AAC Panel must then be fixed through into the Enviro® Tie Batten and cavity spacers at 500mm vertical fixing centres. Minimum of six 14g bugle head fixings required per 2200x600 panel.

11.5 Where a 20mm cavity is produced the Enviro® AAC Panel must be fixed through the cavity spacers to the wall framing at maximum centres of 600mm vertically and horizontally. Minimum of six 14g bugle head fixings required per 2200x600 panel.

11.6 Fixing type for NZBC corrosion zones. For Zone B & C use Hot Dip Galvanized fixings. For corrosion Zone D and Geothermal areas Stainless Steel fixings are to be used.

Note:

- Fixings to be positioned minimum 50mm in from the edge of the panel giving an overall layout of 500mm centres vertically per panel.
- Fixings are also required horizontally at 600mm centres.
- A minimum of 6 bugle head screws per panel is required.
- Bugle head screws must be embedded a maximum 10mm into the Enviro® AAC Panel.
- Ensure correct fixings are used for the relevant corrosion zone.

DURABILITY - CLAUSE B2

12.1 The Enviro® AAC Panel System when used in accordance with this Appraisal Certificate and subjected to normal conditions of environment and use will meet the performance requirements of NZBC B2.3.1 (b), 15 years for the cladding system and plaster finish, and the performance requirements of NZBC B2.3.1 (c), 5 years for the exterior paint system (the life of the product not being less than 5 years).

MAINTENANCE

12.2 Regular maintenance is essential to ensure the performance requirements of the NZBC are met and to ensure the maximum serviceability of the Enviro® AAC Panel System.

12.3 Regular cleaning (at least annually) of the paint coating is required to remove grime, dirt and organic growth as per the Technical Literature in order to maximize the life and appearance of the acrylic paint coating. Paint coatings must be reapplied every 7-10 years in accordance with the paint manufacturers instructions. Re-coating colours shall have an LRV (light reflectance value) of 25% or greater.

12.4 Regular inspections (at least annually) must be made on the system to ensure that all aspects of the Enviro® AAC Panel System including the coating system, plasters, flashings and any sealed joints remain in a weatherproof condition. Any cracks, damaged areas or areas showing signs of deterioration that could allow water ingress, must be repaired immediately. The Enviro® AAC Panel System must be maintained and repaired in accordance with the instructions from Masons NZ Ltd.

12.5 Minimum ground clearance as set out in this Appraisal and Technical Literature must be maintained at all times during the life of the system to maintain the durability and weathertightness of the system.

CONTROL OF EXTERNAL FIRE SPREAD

13.1 The Enviro® AAC Panel System is considered to meet the performance requirements of NZBC C3.3.5 for use as an external wall cladding when restricted to:

- Single storey buildings 1m or more from the boundary for all purpose groups
- Buildings up to 7m high, 1m or more from the boundary, for all purpose groups other than SC and SD.

13.2 Clearance separations from chimneys and flues are not required for the Enviro® AAC Panel. Where the panel is used with or attached to a heat sensitive material, the heat sensitive materials must be separated from chimneys and flues in accordance with the performance requirements of NZBC Acceptable Solution C/AS1, part 9 for protection of combustible materials.

EXTERNAL MOISTURE - CLAUSE E2

14.1 When installed in accordance with this Appraisal Certificate and Technical Literature, the Enviro® AAC Panel System will prevent the penetration of water that could cause undue dampness and/or damage to building elements and will therefore comply with clause E2.3.2.

14.2 The cavity must be sealed off from the roof and sub-floor space in order to meet the performance requirement of E2.3.5.

14.3 The Enviro® AAC Panel System allows excess moisture present at the completion of construction to be dissipated without causing permanent damage to the building elements to meet the performance requirement of Clause E2.3.6.

14.4 The details provided within the Technical Literature for weather resistance are based on the design principle of employing both a 1st and 2nd line of defence against moisture entry for joints, penetrations and junctions. Moisture ingress is prevented by detailing joinery or wall junctions as shown in the Enviro® AAC Panel System technical manual. Any weathertightness details developed by the designer are outside the scope of this Appraisal Certificate and are the responsibility of the designer.

14.5 The presence of a drained cavity does not reduce the requirement to ensure the cladding wall and all the relevant junction, penetrations etc remain weather resistant in order to comply with Clause E2.3.6.

WATER VAPOUR

14.6 The Enviro® AAC Panel System is not impermeable therefore allows the escape of water vapour.

14.7 When the Enviro® AAC Panel System is installed over a steel frame, an expanded polystyrene thermal break must be installed over the building wrap over each steel member (stud, nog, top and bottom plate) to provide a thermal break in accordance with the requirements of NZBC Acceptable Solution E3/AS1, Paragraph 1.1.4(d). The thermal break will also act as the cavity batten for the Enviro® AAC Panel System and will therefore be a minimum 20mm thick in accordance with the requirements of Acceptable Solution E2/AS1, paragraph 9.1.8.4. Refer NASH Building Envelope Solutions.

PRE-CLADDING CHECKLIST

For Builders, Installers and building inspectors

CONSENT NO. _____

START DATE _____

CLIENT NAME _____ PHONE _____

BUILDER _____ PHONE _____

ARCHITECT _____ PHONE _____

OWNER/BUILDER MUST HAVE THE FRAMING AND OTHER COMPONENTS OF THE BUILDING CORRECTLY INSTALLED TO ENABLE THE INSTALLATION OF THE ENVIRO PANEL SYSTEM. REFER TO THE CHAPTER OF SCOPE AND LIMITATIONS.

SPECIAL ATTENTION SHOULD BE MADE FOR:

Floor Slab Lay-out

- **For 45mm cavity:** Ensure distance from outside of framing to outside of concrete footing is exactly 95mm on all sides of building. If slightly under it is okay on single storey only. This allows 45mm for the cavity and 50mm for the ENVIRO Panels. 38mm batten ties will be used where 7mm brace ply is required.
- **For 20mm cavity:** Ensure distance from outside of framing to outside of concrete footing is exactly 70mm on all sides of building. If slightly under it is okay on single storey only. This allows 20mm for the cavity and 50mm for the ENVIRO Panels.
- Ensure ground level is 250mm below floor level, min. 300mm out around base to allow for plastering.

Rebate

- Install DPC as per manufacturers specifications or approved tanking products may also be used per manufacturers instructions.
- Smooth and level

Framing - All Straight and level

- Correct moisture content?
- Studs straightened for wall lining before ENVIRO Panels are installed.
- Internal corners - supply and install 1 stud or full length H3.2 45x45mm ENVIRO Tie, 200mm from internal corner.
- Ensure framing MC is 24% or lower on average.

Head Flashing's

- Cut aluminium powder coated z-flashings 20mm either side of outside flange of windows. These will need to be cut and turned up to form stop ends and sealed with BOSTIK safe seal or similar.
- MASONS flashing tape (or similar) has been dressed over z-flashing and onto building paper.

Wall Wrap

- Exterior timber framed walls must be wrapped with a wall underlay that complies with compliance document E2/AS1 table 23. Wall wrap must be fixed to the exterior wall framing prior to installation of AAC ENVIRO Ties. Ensure wrap is continuous around corners and installed horizontally.
- Ensure that all penetrations such as waste water pipes and the like have been flashed to the building wrap using approved flexible flashing tape or penetration seals.

Windows

- For 45mm cavity the Window distance from framing - minimum 47mm from outside of framing to inside flange of window.
- .For 20 mm cavity the minimum distance between the back of the joinery flange and the face of the framing is 25mm.
- The manual states throughout that continuous support bars are to be used on all windows, however if for any reason there is a requirement to support bars then MASONS DPC (or similar) must be placed underneath the bottom of the windows.

Joinery

- All joinery must be set into openings minimum 45mm from outside of framing to inside flange of window. Ensure correct fixings are used for the relevant corrosion zone.
- The builder is also responsible for the application of approved flexible flashing tape around openings prior to the installation of any joinery.

If two storey

- Check with builder that all waterproofing details including roof junctions, flashing's and diverters have been done.
- All protective sheeting is on roof
- Scaffolding

All plumbing including gas lines, need to be pressure tested prior to installation of internal linings. MASONS will not be responsible for replacement of internal linings if this is not done.

Variables / Concerns / Comments:

Builders/Owner name:

Signed:

PLEASE CONTACT LOCAL DISTRIBUTOR BEFORE JOINERY IS PRODUCED

PRE-COATING CHECKLIST

For Plasterers and Building inspectors

CONSENT NO. _____

START DATE _____

CLIENT NAME _____ PHONE _____

BUILDER _____ PHONE _____

ARCHITECT _____ PHONE _____

MASONS RECOMMENDS AN INSPECTION BY A BUILDING INSPECTOR PRIOR TO PLASTERING

- Panels must be flat and straight with min. 6 screws per sheet, countersunk 10mm and no closer than 50mm from edge of panel.
- Ensure all exposed steel ends are treated with CRC zinc anti corrosion paint.
- All external and internal corners are filled with expandable foam.
- Vents - 40mm round holes are drilled into the bottom of the panel at max. 1200 centres for aluminium vents. These are then placed in after plastering, before painting.
- Ensure that sill flashing's are in place and sealed with BOSTIK safe seal at corners.
- Ensure window head flashing is fixed in place, level and straight.
- MASONS base shoe/cavity closer should be adhered with BOSTIK safe seal (or similar) and fixed in a straight line to bottom edge of panel where required.
- Sill and Base shoe flashing's primed with Plasta Seal and coated with meshing or skimming render.
- MASONS Perforated Jambe Flashings or Enviro Reveal Bead are fitted.
- Ensure roof flashing's are in place and checked by builder and building inspector prior to plastering where relevant.
- All pipe work/penetrations through cladding are filled with Low expandable foam and sealed with BOSTIK safe seal (or similar) sealant.

Note: PVC Reveal Bead flashing is installed by plasterers when masking windows.

Variables / Concerns / Comments:

ENVIRO Panel Installer: _____ **Signed:** _____

Approved by: _____ **Position:** _____ **Signed:** _____

FINAL CHECKLIST

For Plasterers and Building inspectors

CONSENT NO. _____

START DATE _____

CLIENT NAME _____ PHONE _____

BUILDER _____ PHONE _____

ARCHITECT _____ PHONE _____

- Specified number of render coats have been applied. Finish to manufacturer's specifications.

- Corner beads have been used

- Specified review of coating system has been applied and finished to manufacturer's standard.

Variables / Concerns / Comments:

ENVIRO Panel Installer: _____ **Signed:** _____

Approved by: _____ **Position:** _____ **Signed:** _____

24019