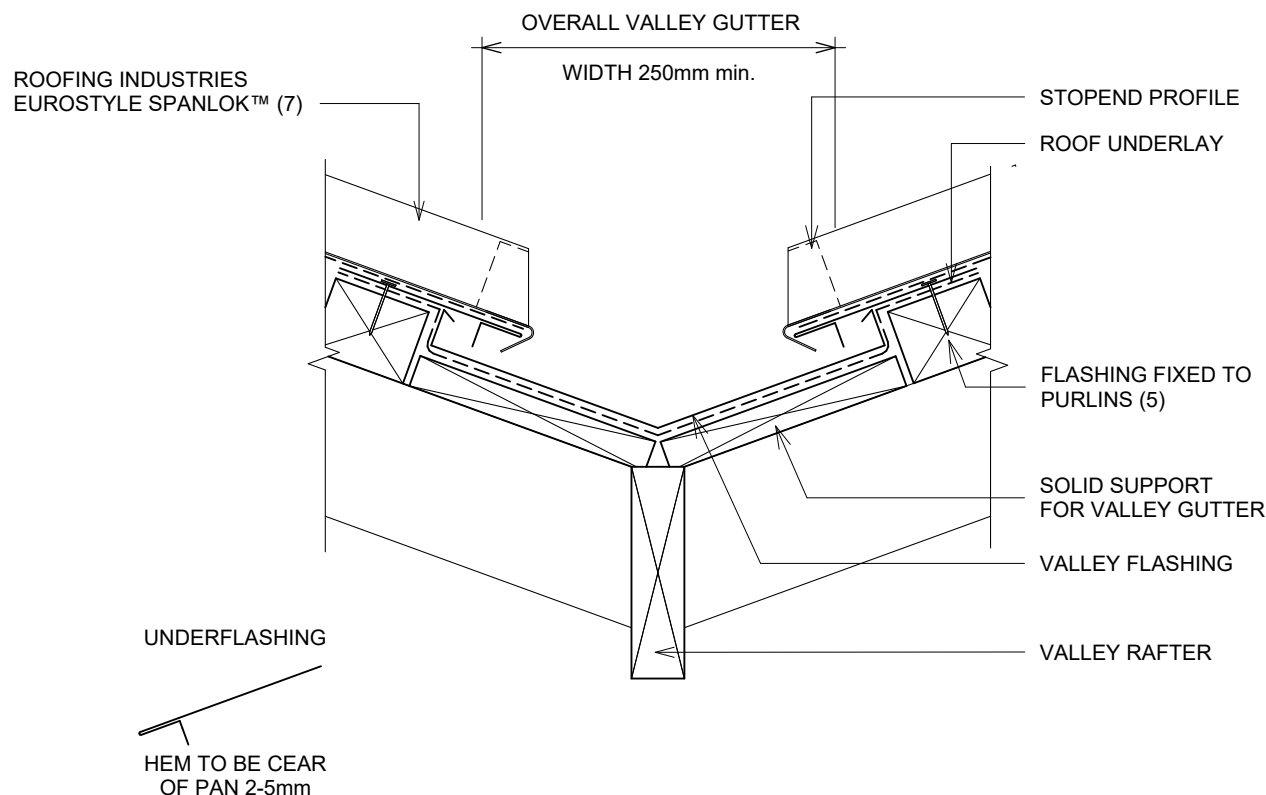


EUROSTYLE SPANLOK™ VARIABLE PAN ROOFING ON PURLINS TYPICAL VALLEY DETAIL

Detail Number: RI-ESVPRRPUR-080A

Date drawn: 20/05/2024

Scale: 1 : 5@ A4



DETAIL ANNOTATION:

1. GUTTERS IN ACCORDANCE WITH NEW ZEALAND BUILDING CODE E2/AS1
2. RAINFALL INTENSITY WITH AVERAGE RECURRENCE INTERVAL (ARI) NO GREATER THAN 200mm PER HOUR
3. MINIMUM WIDTH OF VALLEY GUTTER MAY REDUCE TO 160mm, PROVIDING ROOF CATCHMENT AREA IS IN ACCORDANCE WITH THE TABLE ABOVE. IN THIS CASE, COVER OF ROOF CLADDING OVER GUTTER SHALL BE REDUCED TO 60 mm TO PROVIDE A CLEARANCE GAP OF 40mm. (REFER TO E2/AS1)
4. FOR ROOF PITCHES 8° OR GREATER. FOR LESSOR PITCHES USE INTERNAL GUTTER, OR REFER TO MRM CODE OF PRACTICE AS AN ALTERNATIVE TO THE ABOVE.
5. HIGH TO EXTRA HIGH WIND ZONE DOUBLE FIX UNDERFLASHINGS
6. FASTENERS TO BE COMPATIBLE WITH MATERIAL BEING FIXED AND THE SUITABLE GRADE FOR THE ENVIRONMENT IN WHICH LOCATED.
7. CLIPS OMITTED FOR CLARITY

GENERAL NOTES:

- These details are to be read with Roofing Industries SPANLOK™ Product Technical Statement and installation guide.
- These details are generally in compliance with E2/AS1 and/or the NZ Metal Roof & Wall Cladding Code of Practice and in some cases specific details by 'Roofing Industries'.
- The building designer is ultimately responsible to ensure that details used meet the requirements of the NZ Building Code for the specific project.
- Details of the supporting structure including cavity battens are indicative only and are the responsibility of the building designer. For steel framed buildings thermal break cavity battens may be required.
- Roof/wall underlay selection are the responsibility of the designer. Underlay to be installed in accordance with underlay manufacturer's recommendations and requirements.
- These details are for Roofing Industries profile/s as nominated and may not be applicable to other profiles.
- This drawing is the copyright of 'Roofing Industries' and can only be copied or reproduced with their permission.
- Further information can be obtained from the NZ Metal Roof & Wall Cladding Code of Practice: www.metalroofing.org.nz or E2/AS1.
- Details are for steel based materials, other substrates may require some changes.
- All dimensions are nominal.



Copyright detail © 2024

<http://wksp.nz/ri-esl-bar>



Get **WORKINGSPEC** from
Apple App Store/Google Play

