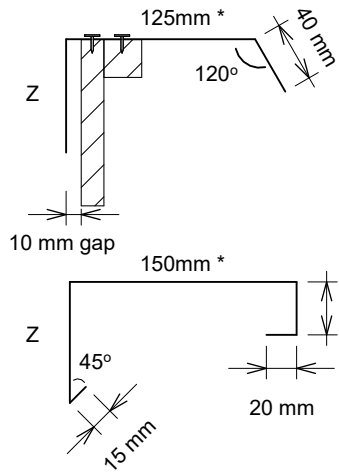


EUROSTYLE SPANLOK™ VARIABLE PAN ROOFING ON PURLINS BARGE & RIDGE UNDER FLASHINGS

Detail Number: RI-ESVPRRPUR-070B

Date drawn: 20/05/2024

Scale: 1 : 5@ A4

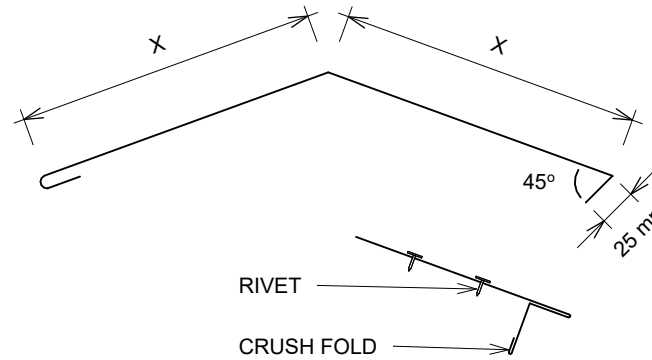


SITE WIND ZONE (As per NZS3604)	MINIMUM
	Z
SITUATION 1	50mm
SITUATION 2	75mm
SITUATION 3	90mm

NOTE:

- 300mm LONG EVERY 600mm APPROX
- * DEDUCT 25mm FOR UNDERFLASHING

RIDGE UNDERFLASHING:



SITE WIND ZONE (As per NZS3604)	MINIMUM
	X
SITUATION 1	150mm
SITUATION 2	200mm
SITUATION 3	200mm

NOTE:

SET UNDERFLASHING 5mm BACK FROM RIDGE
MEASUREMENT EACH SIDE 190mm

DETAIL ANNOTATION:

- SITUATION 1, 2 & 3 AS PER E2/AS1, TABLE 7
- INCREASE DISTANCE 'Z' BY 25mm WHEN AGAINST A PROFILED SURFACE OR TO 100mm WHICHEVER IS THE LESSER.
- HIGH TO EXTRA HIGH WIND ZONE DOUBLE FIX UNDERFLASHINGS
- ALLOW FOR SEPARATION FROM ANY CORROSIVE TIMBER TREATMENTS.

DETAIL ANNOTATION:

- SITUATION 1, 2 & 3 AS PER E2/AS1 TABLE 7
- FOR GRAVITY RIDGE VENT TO FUNCTION, ADDITIONAL VENTILATION IS REQUIRED AT THE EAVE.
- ALLOW FOR SEPARATION FROM ANY CORROSIVE TIMBER TREATMENTS.
- HIGH TO EXTRA HIGH WIND ZONE DOUBLE FIX UNDERFLASHINGS.
- EUROSTYLE CLIP TO TOP PURLIN.
- ALL DIMENSIONS SHOWN ON DRAWINGS ARE NOMINAL +/- 5mm
- STOPEND 5-10mm FROM TOP OF RIB TO ACHIEVE VENTILATION IF REQUIRED

GENERAL NOTES:

- These details are to be read with Roofing Industries SPANLOK™ Product Technical Statement and installation guide.
- These details are generally in compliance with E2/AS1 and/or the NZ Metal Roof & Wall Cladding Code of Practice and in some cases specific details by 'Roofing Industries'.
- The building designer is ultimately responsible to ensure that details used meet the requirements of the NZ Building Code for the specific project.
- Details of the supporting structure including cavity battens are indicative only and are the responsibility of the building designer. For steel framed buildings thermal break cavity battens may be required.
- Roof/wall underlay selection are the responsibility of the designer. Underlay to be installed in accordance with underlay manufacturer's recommendations and requirements.
- These details are for Roofing Industries profile/s as nominated and may not be applicable to other profiles.
- This drawing is the copyright of 'Roofing Industries' and can only be copied or reproduced with their permission.
- Further information can be obtained from the NZ Metal Roof & Wall Cladding Code of Practice: www.metalroofing.org.nz or E2/AS1.
- Details are for steel based materials, other substrates may require some changes.
- All dimensions are nominal.

Copyright detail © 2024

