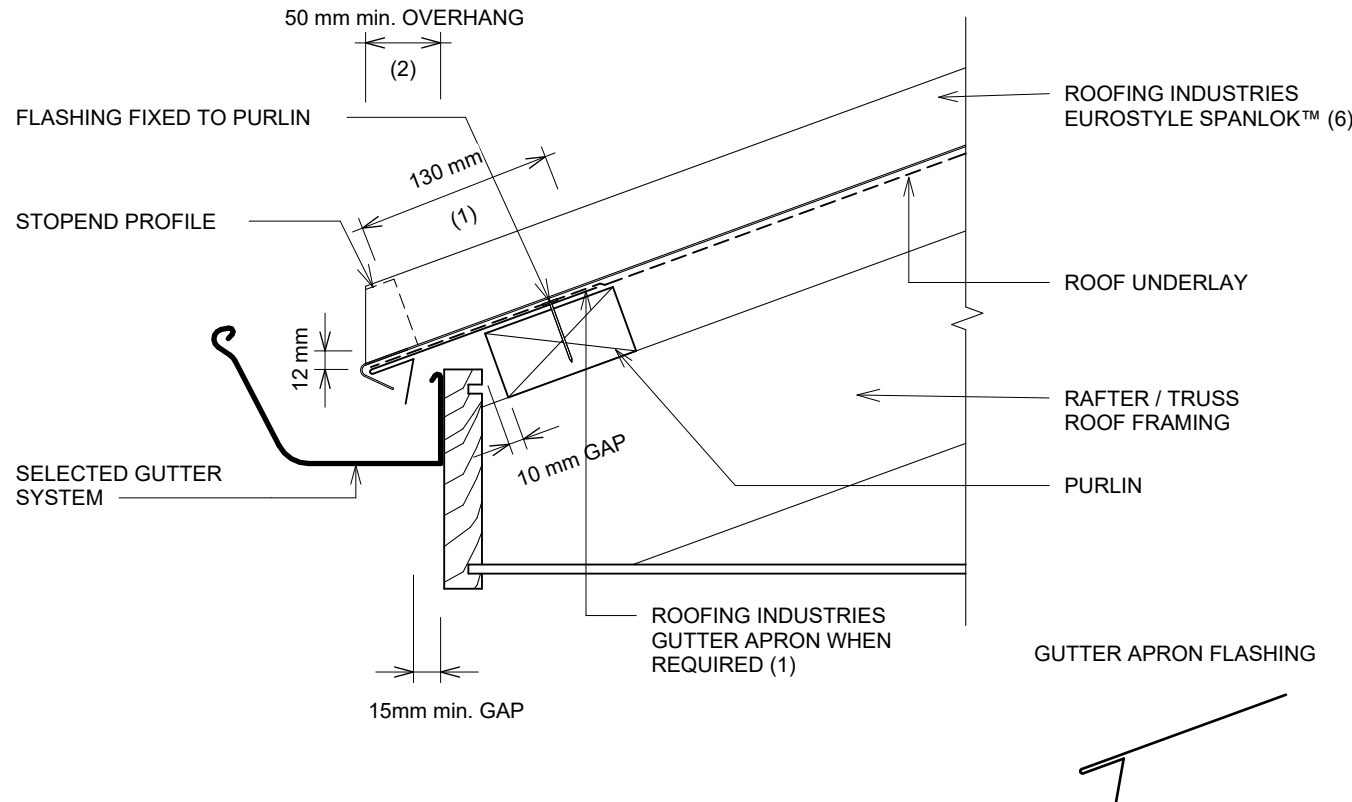


EUROSTYLE SPANLOK™ VARIABLE PAN ROOFING ON PURLINS GUTTER APRON DETAIL

Detail Number: RI-ESVPRRPUR-060A

Date drawn: 20/05/2024

Scale: 1 : 5@ A4



DETAIL ANNOTATION:

1. WHERE THE EAVE FLASHING IS REQUIRED, DESIGNER MAY ALSO CHOOSE TO INCLUDE OPTIONALLY. ALSO RECOMMENDED IN VERY CORROSIVE ENVIRONMENTS AND WHEN SPOUTING IS LOW OR WHERE A GAP EXISTS BETWEEN THE BACK OF GUTTER AND THE FASCIA BOARD.
2. OVERHANG TO GUTTER WHERE THE PITCH IS BELOW 10° AND THE ENDS OF THE RIBS ARE NOT BAFFLED BY THE SPOUTING, SHALL BE INCREASED TO 70mm. REFER TO MRM COP.
3. FASTENERS TO BE COMPATIBLE WITH MATERIAL BEING FIXED AND THE SUITABLE GRADE FOR THE ENVIRONMENT IN WHICH LOCATED.
4. RI RECOMMENDS AN EAVE FLASHING FOR ALL PITCHES BELOW 10°
5. HIGH TO EXTRA HIGH WIND ZONE DOUBLE FIX UNDERFLASHINGS.
6. CLIPS OMITTED FOR CLARITY

GENERAL NOTES:

- These details are to be read with Roofing Industries SPANLOK™ Product Technical Statement and installation guide.
- These details are generally in compliance with E2/AS1 and/or the NZ Metal Roof & Wall Cladding Code of Practice and in some cases specific details by 'Roofing Industries'.
- The building designer is ultimately responsible to ensure that details used meet the requirements of the NZ Building Code for the specific project.
- Details of the supporting structure including cavity battens are indicative only and are the responsibility of the building designer. For steel framed buildings thermal break cavity battens may be required.
- Roof/wall underlay selection are the responsibility of the designer. Underlay to be installed in accordance with underlay manufacturer's recommendations and requirements.
- These details are for Roofing Industries profile/s as nominated and may not be applicable to other profiles.
- This drawing is the copyright of 'Roofing Industries' and can only be copied or reproduced with their permission.
- Further information can be obtained from the NZ Metal Roof & Wall Cladding Code of Practice: www.metalroofing.org.nz or E2/AS1.
- Details are for steel based materials, other substrates may require some changes.
- All dimensions are nominal.



interactive assembly
instructions available

Copyright detail © 2024

<http://wksp.nz/ri-esl-bar>



Get WORKINGSPEC from
Apple App Store/Google Play

