

TEKAPO

Wind and Fixing Specifications

BelAire®
DESIGNER FENCING

...make it your own!

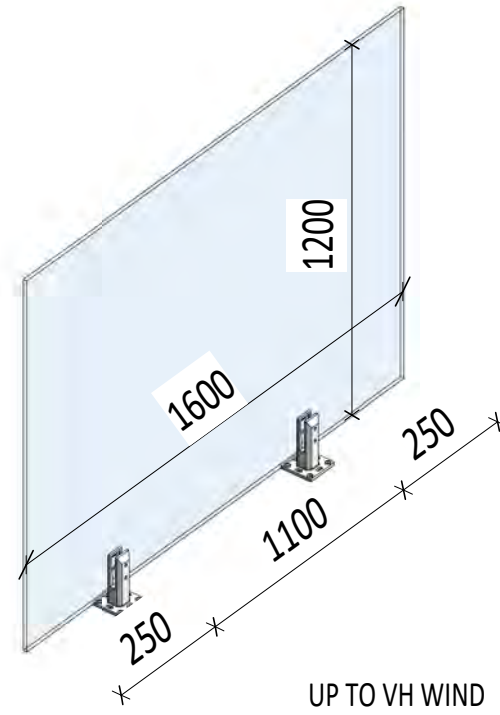
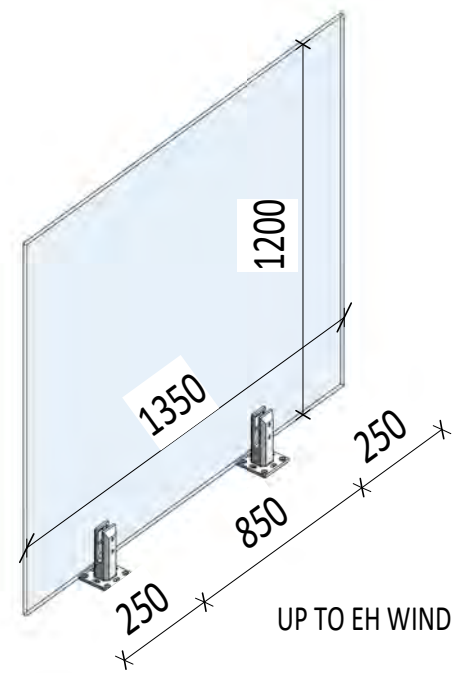
Max Panel Sizes for **VH** Wind Zones Balustrade

	Spigot Qty	1000mm high Glass	1200mm High Glass	1350mm High Glass	Occupancy	Fixing Wet Timber	Fixing Dry Timber	Concrete	Edge distance Timber	Edge Distance Concrete
Tekapo Balustrade	2	1600W	1400W	Engineers Aproval	A,B,E,C3	M8 x 140 Spax	M8 x 140 Spax	M8 x 85 Concrete Screw	22	55
Tekapo Pool Fence	2	N/A	1600W	1250W (1600W 3 Spigots)		M8 x 140 Spax	M8 x 140 Spax	M8 x 85 Concrete Screw	22	55

Max Panel Sizes for **EH** Wind Zones Balustrade

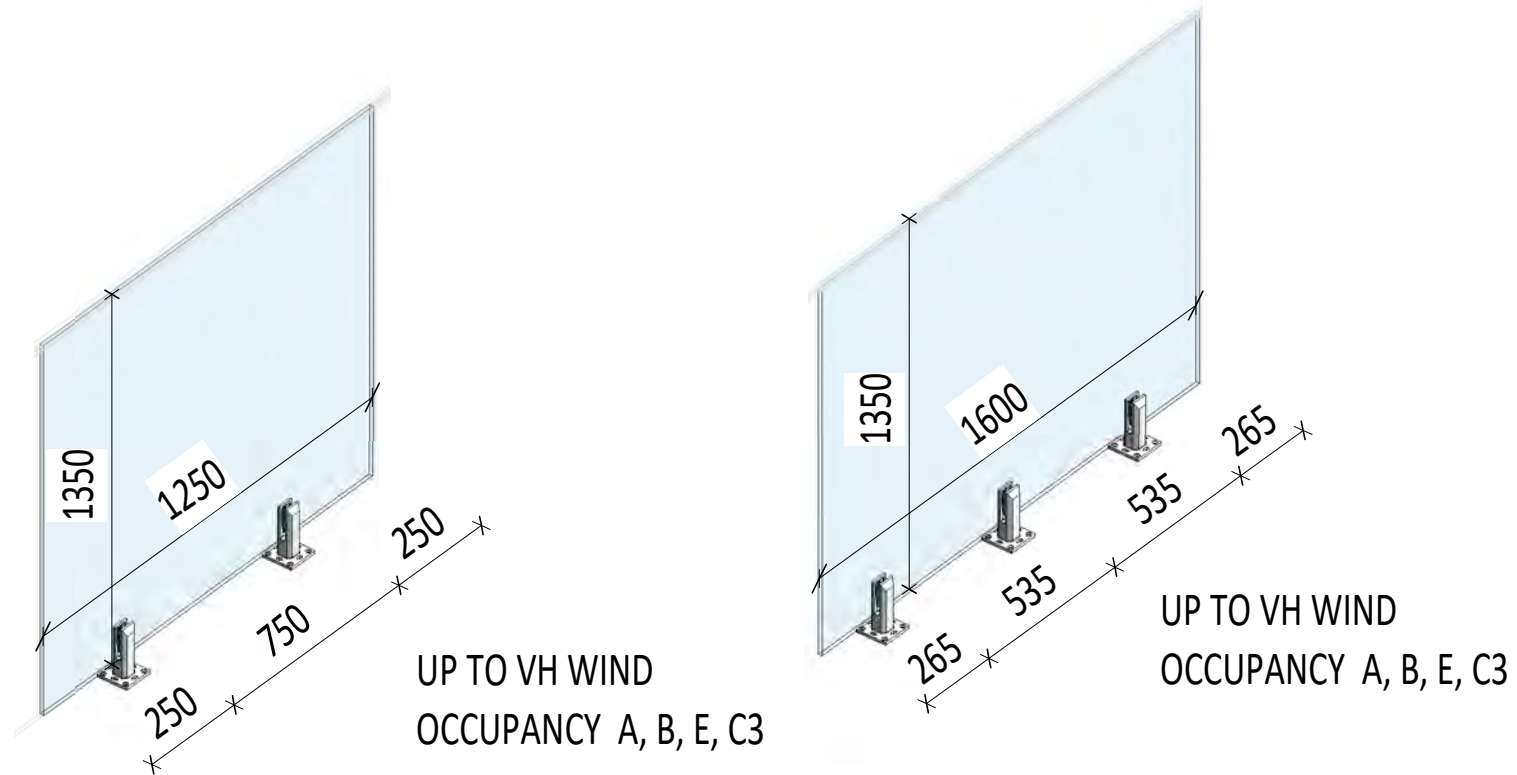
	Spigot Qty	1000mm high Glass	1200mm High Glass	1350mm High Glass	Occupancy	Fixing Wet Timber	Fixing Dry Timber	Concrete	Edge distance Timber	Edge Distance Concrete
Tekapo Balustrade	2	1600W	1600W (3 Spigots)	Engineers Aproval	A,B,E,C3	M8 x 140 Spax	M8 x 140 Spax	M8 x 85 Concrete Screw	22	55
Tekapo Pool Fence	2	N/A	1350W (1600 3 Spigots)	Engineers Aproval		M8 x 140 Spax	M8 x 140 Spax	M8 x 85 Concrete Screw	22	55

BelAire Tekapo Pool Fencing Wind Zones



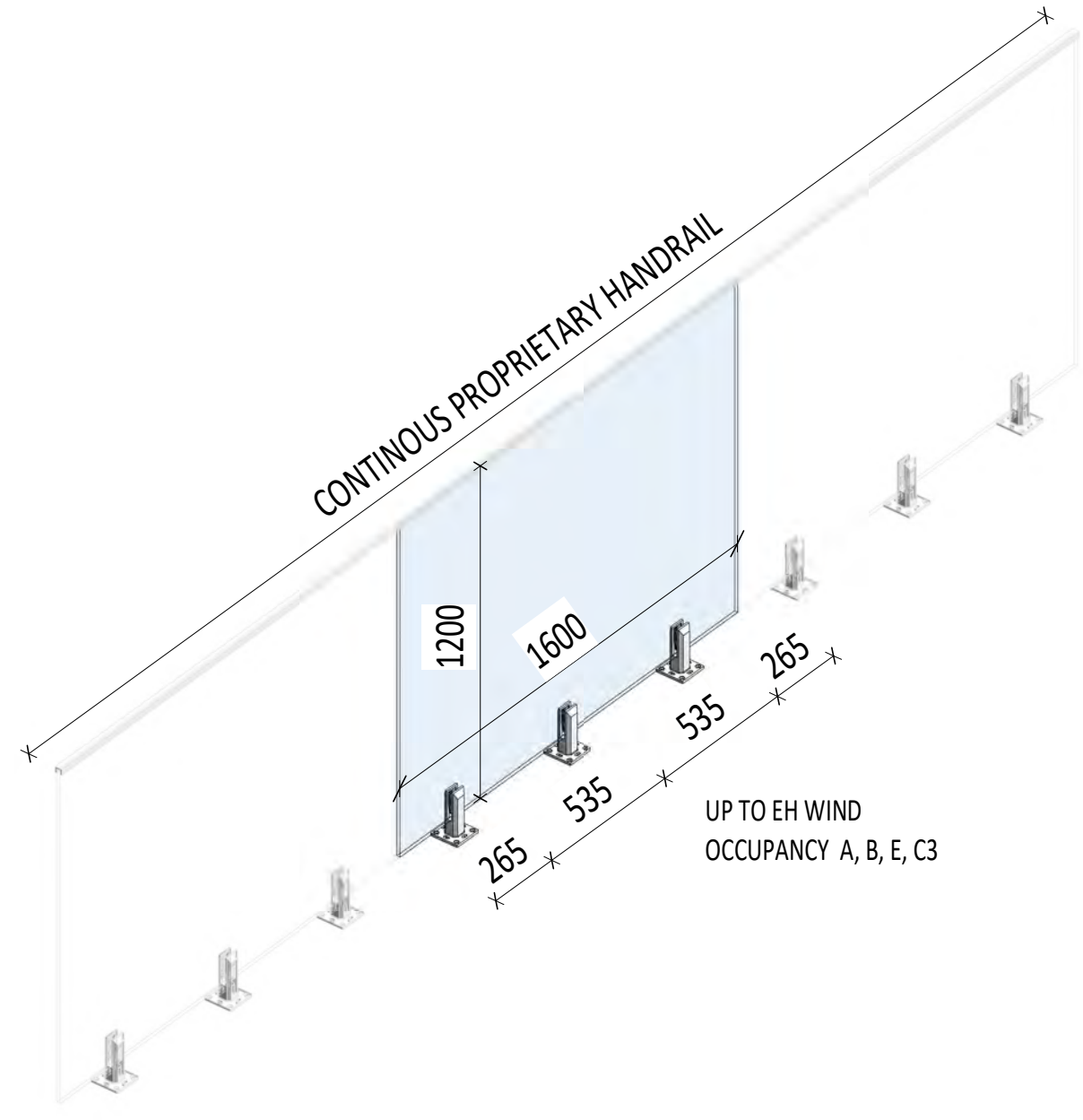
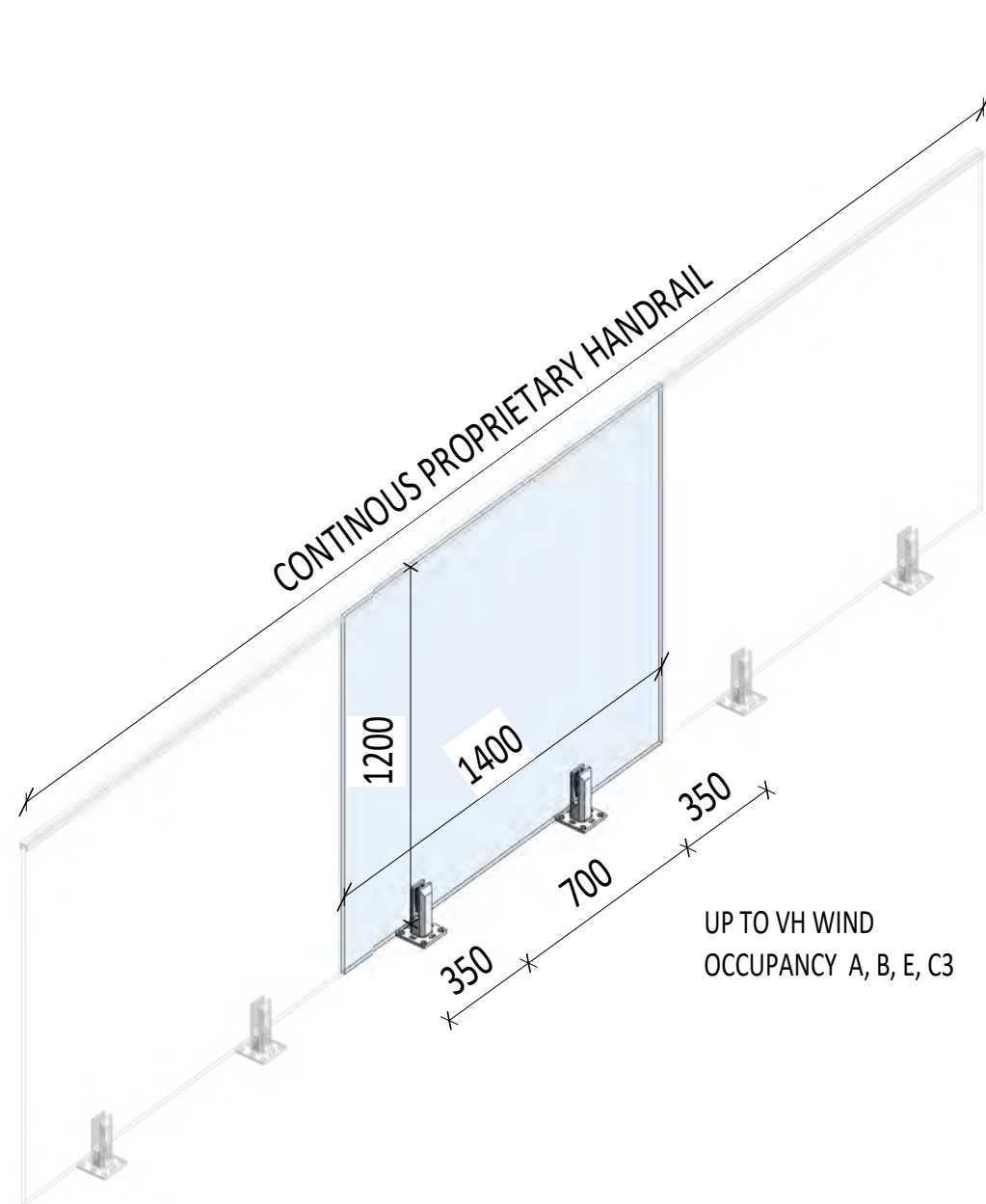
REF.	DESCRIPTION	DATE
R.2	MINOR AMENDMENTS	220525
R.3	FIXING REVISED	220816
R.4	CONCRETE FIXING REVISED	221202
scale: @A3	drawn: AM	checked: PM
	status: P	project no: 20073
	drg no: TF01	rev: R.4

BelAire Tekapo Pool Fencing Wind Zones



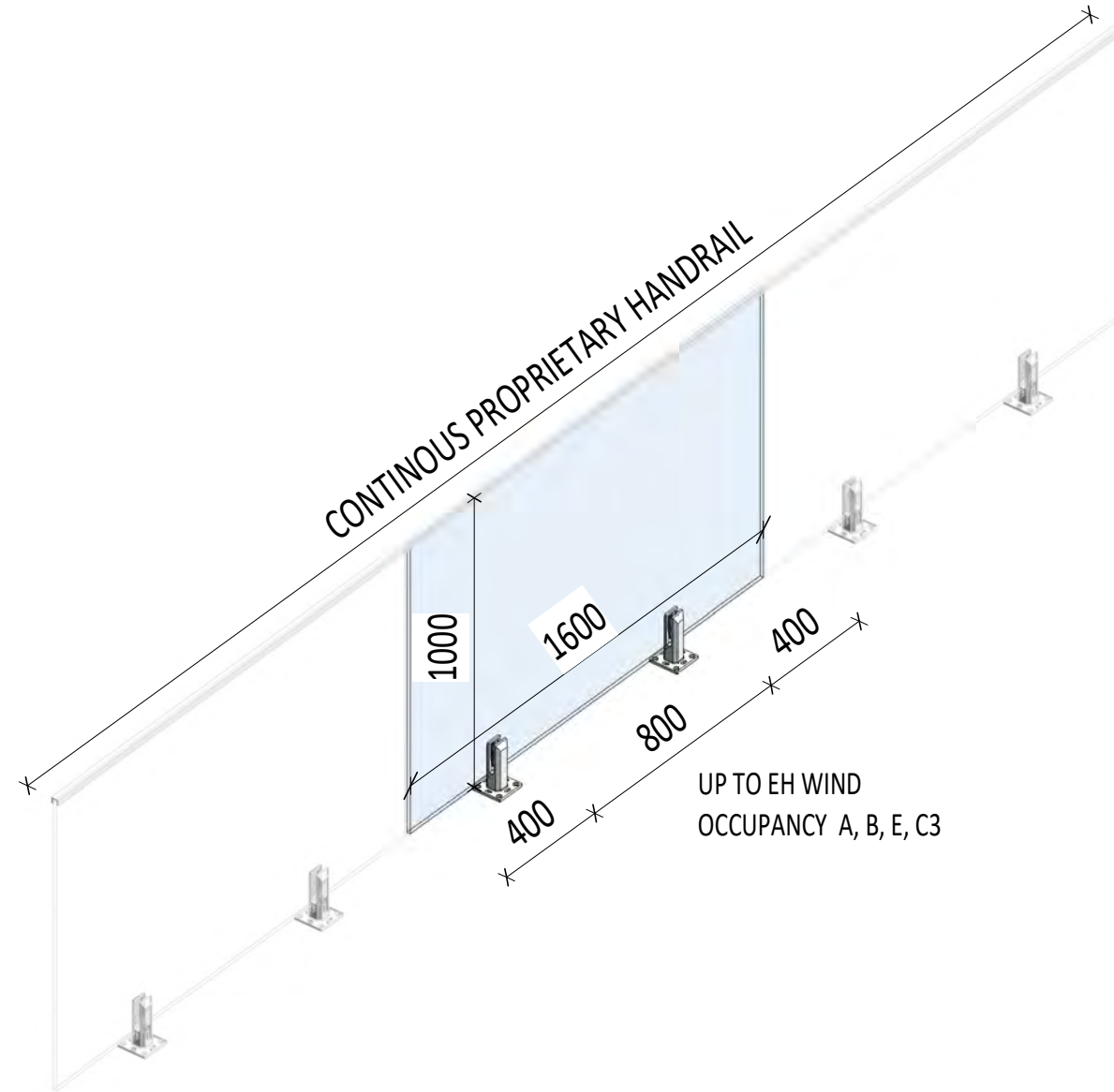
REF.	DESCRIPTION	DATE				
R.1	INFORMATION	220328				
scale: @A3	drawn: AM	checked: PM	status: P	project no: 21098	drg no: TF02	rev: R.1

BelAire Tekapo Balustrade Wind Zones

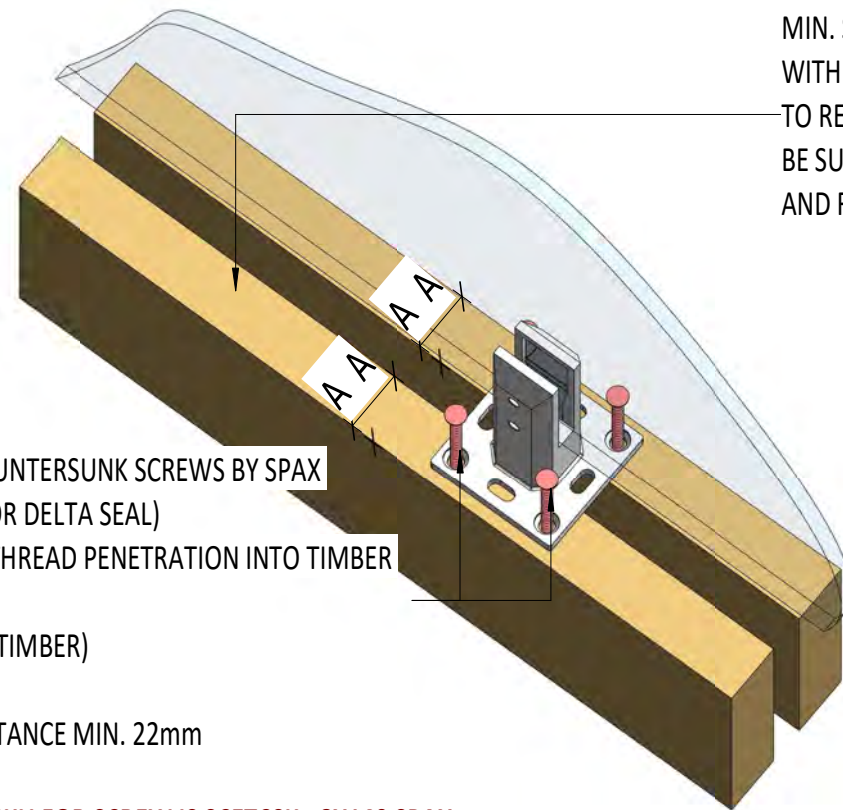


REF.	DESCRIPTION	DATE
R.2	MINOR AMENDMENTS	220525
R.3	FIXING REVISED	220816
R.4	CONCRETE FIXING REVISED	221202
scale: @A3	drawn: AM	checked: PM
	status: P	project no: 20073
	drg no: TB01	rev: R.4

BelAire Tekapo Balustrade Wind Zones



REF.	DESCRIPTION	DATE
R.2	MINOR AMENDMENTS	220525
R.3	FIXING REVISED	220816
R.4	CONCRETE FIXING REVISED	221202
scale: @A3	drawn: AM	checked: PM
	status: P	project no: 20073
	drg no: TB02	rev: R.4



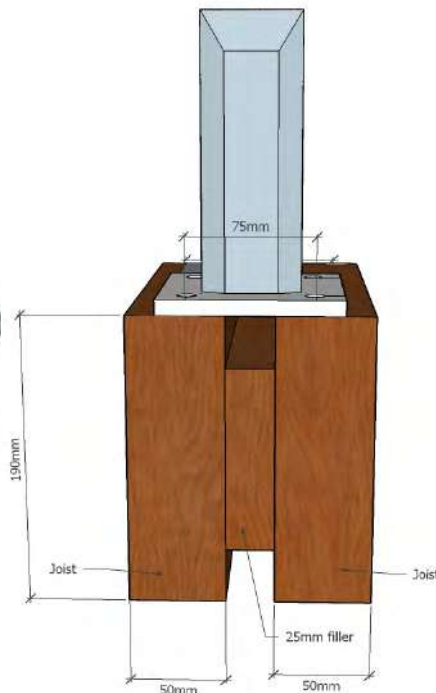
MIN. SG8 TIMBER SUBSTRUCTURE WITH MEMBERS SUFFICIENTLY SPACED USING A 25MM PACKER BETWEEN JOISTS TO RECEIVE BOLTS. THE SUBSTRUCTURE DESIGNED BY OTHERS TO BE SUFFICIENTLY STRONG AND RIGID TO TRANSFER THE BALUSTRADE LOADS

4/ 8x140 COUNTERSUNK SCREWS BY SPAX (STAINLESS OR DELTA SEAL)
LENGTH OF THREAD PENETRATION INTO TIMBER MIN. 130mm
(DRY & WET TIMBER)

A - EDGE DISTANCE MIN. 22mm

STORETECH SKU FOR SCREW IS SCETCSK - 8X140 SPAX

CONNECTION TO TIMBER

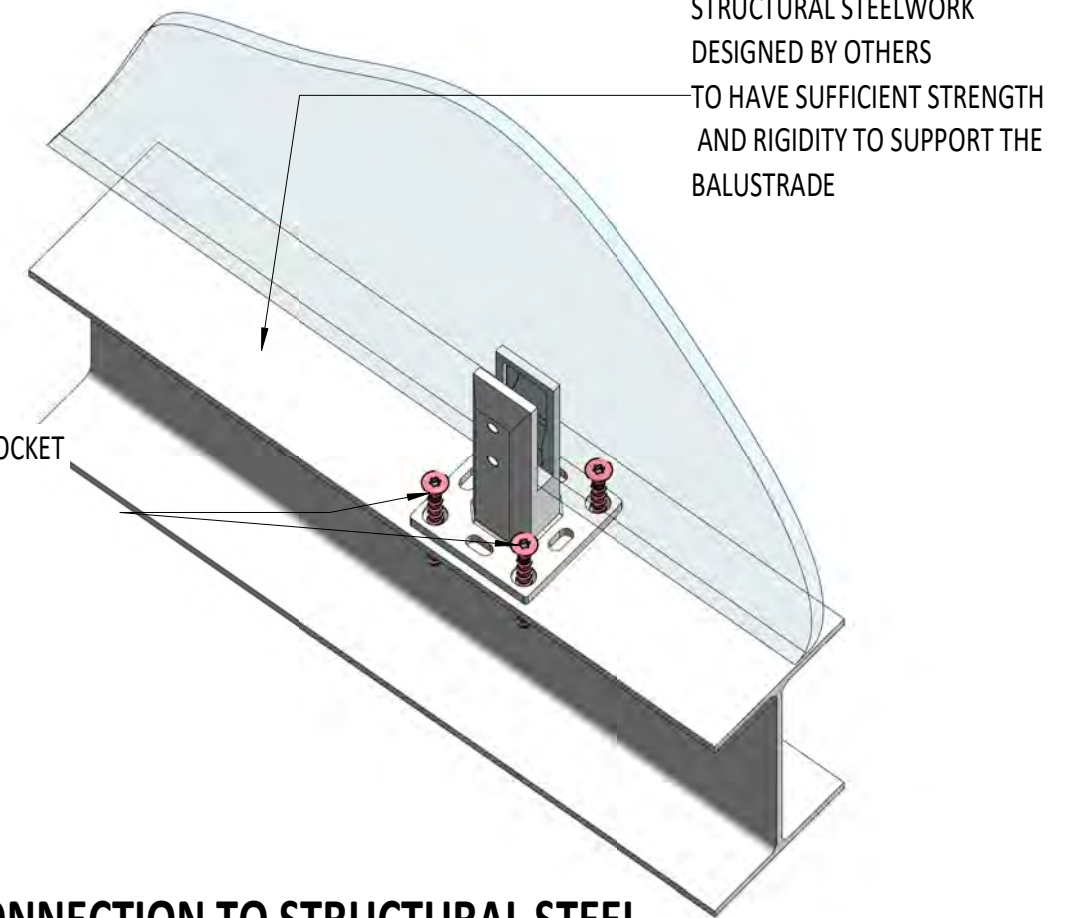


4/M10 CSK STAINLESS STEEL (A4) SOCKET SCREWS

A - EDGE DISTANCE MIN. 15mm

STORETECH SKU N/A

CONNECTION TO STRUCTURAL STEEL



STRUCTURAL STEELWORK DESIGNED BY OTHERS TO HAVE SUFFICIENT STRENGTH AND RIGIDITY TO SUPPORT THE BALUSTRADE

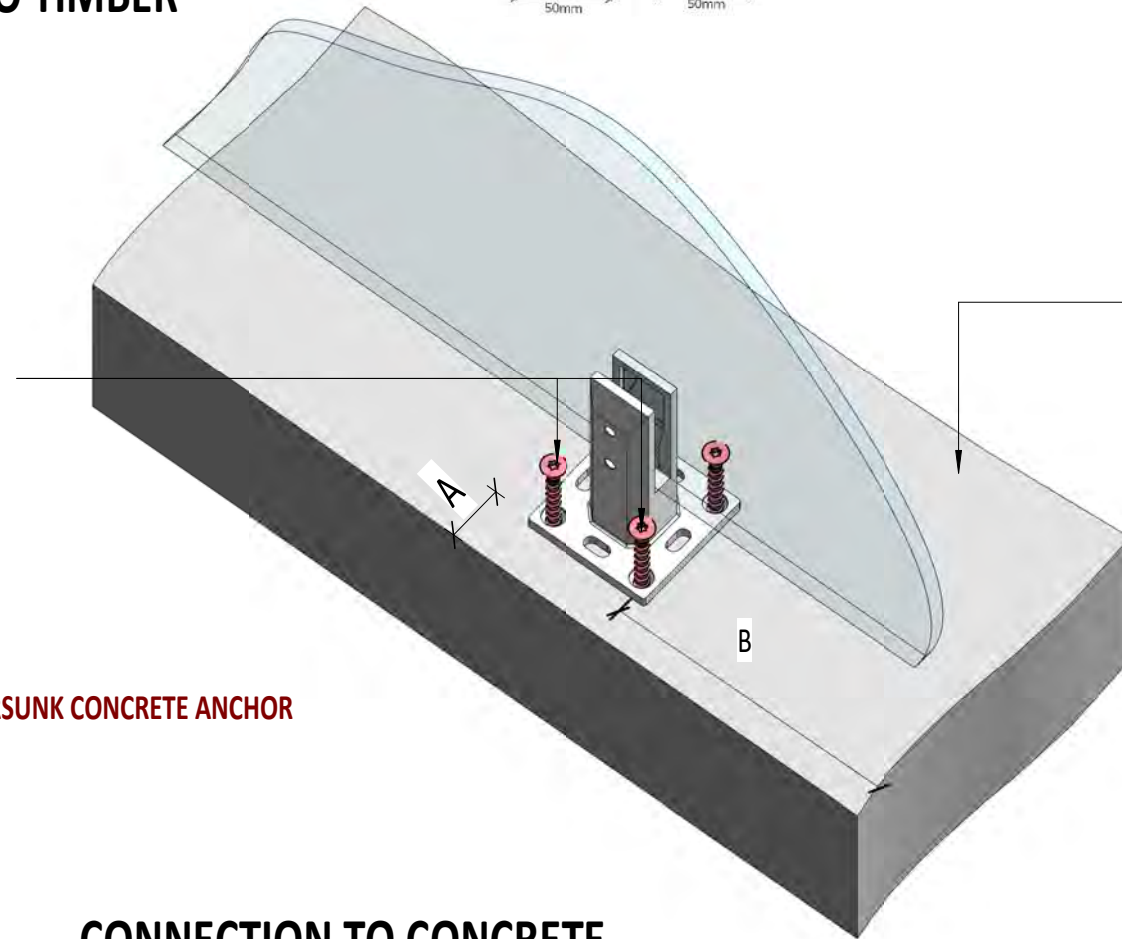
MECHANICAL ANCHORS:

4/HST3-R 8 x 95 STAINLESS STEEL (A4) BY HILTI
MIN. 50mm EMBEDMENT
OR
TOGE TSM CSK 8 x 65Min A4 STAINLESS STEEL BY ICONS,
MIN.65mm INTO CONCRETE

A - EDGE DISTANCE MIN. 55mm

B - CORNER DIST. MIN. 265mm

STORETECH SKU - SCECCSA M8X95 STAINLESS COUNTERSUNK CONCRETE ANCHOR



SUFFICIENT STRENGTH AND RIGIDITY TO SUPPORT THE BALUSTRADE

CONNECTION TO CONCRETE

IMPORTANT INSTALLATION INSTRUCTIONS:

ALL PROPRIETARY PRODUCTS INCLUDING ANCHORS MUST BE INSTALLED IN STRICT ORDER WITH MANUFACTURER PROCEDURES.

REF.	DESCRIPTION	DATE
R.2	MINOR AMENDMENTS	220525
R.3	FIXING REVISED	220816
R.4	CONCRETE FIXING REVISED	221202
scale: @A3	drawn: AM	checked: PM
	status: P	project no: 20073
	drg no: TF03	rev: R.4