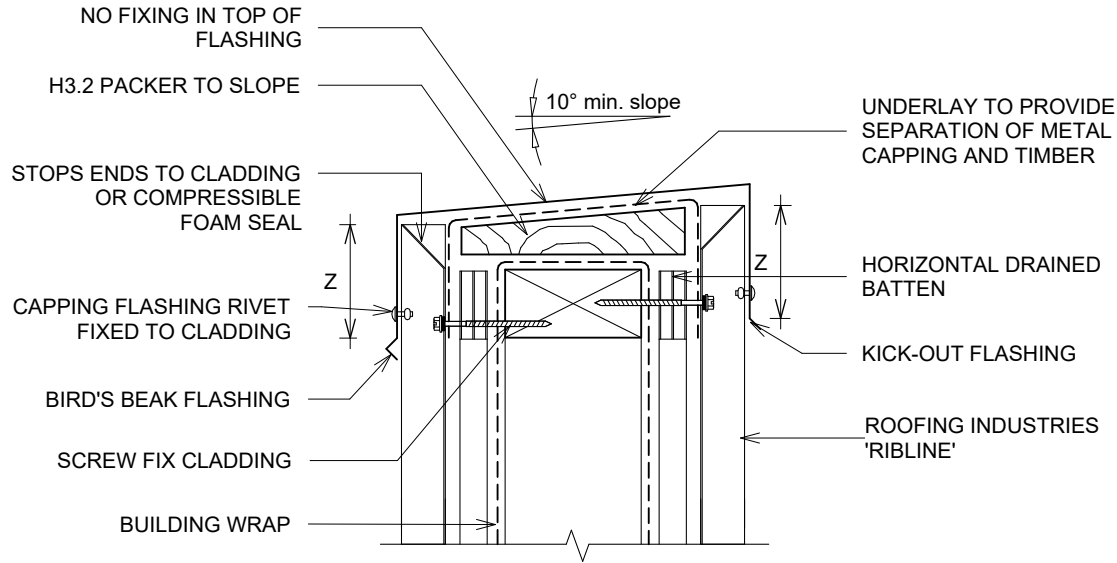


# RESIDENTIAL RIBLINE® WALL VERTICAL ON CAVITY BALUSTRADE FOR VERTICAL CLADDING ON CAVITY

Detail Number: RI-RRWVC-110

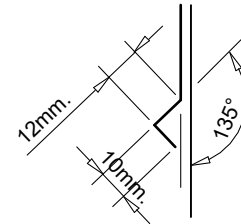
Date drawn: 25/07/2024

Scale: 1 : 5@ A4



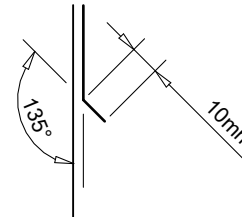
OPTION 01

Bird's beak dimensions may vary between manufacturing locations



BIRD'S BEAK at bottom edge of vertical flashing

OPTION 02



KICK-OUT at bottom edge of vertical flashing

SITE WIND ZONE	MINIMUM (mm)
(As per NZS3604)	Z (2)
SITUATION 1 (1)	75
SITUATION 2 & 3 (1)	100

DETAIL ANNOTATION:

- SITUATION 1, 2 & 3 AS PER E2/AS1 TABLE 7
- EXCLUDING DRIP EDGE
- CAVITY BATTENS CONTAINING CORROSIVE TREATMENTS MUST BE SEPARATED FROM METAL CLADDING BY DPC, WALL UNDERLAY, PVC OR PAINTING
- CASTELLATED BATTEN OR APPROVED DRAINED BATTEN CAN BE USED WITH THIS SYSTEM
- FASTENERS TO BE COMPATIBLE WITH MATERIAL BEING FIXED AND THE SUITABLE GRADE FOR THE ENVIRONMENT IN WHICH LOCATED
- REFER TO UNDERLAY MANUFACTURERS REQUIREMENTS FOR INSTALLATION RECOMMENDATIONS

GENERAL NOTES:

- These details are to be read with Roofing Industries Ribline Product Technical Statement.
- The building designer is ultimately responsible to ensure that the details used meet the requirements of the NZ Building Code for the specific project.
- Details of the supporting structure (including cavity battens if used) are indicative only and are the responsibility of the building designer. For steel framed buildings thermal break cavity battens may be required.
- Roof/wall underlay selection are the responsibility of the designer. Underlay to be installed in accordance with underlay manufacturer's recommendations and requirements.
- These details are for Roofing Industries profile/s as nominated and may not be applicable to other profiles.
- This drawing is the copyright of 'Roofing Industries' and can only be copied or reproduced with their permission.
- Further information can be obtained from the NZ Metal Roof & Wall Cladding Code of Practice: [www.metalroofing.org.nz](http://www.metalroofing.org.nz) or E2/AS1 where applicable.
- Details are for steel-based materials, other substrates may require some changes.
- All dimensions are nominal.
- Fixings: The designer needs to check the screw manufacturer's technical data of the selected screw type for the design wind load and the material being fastened to.

Copyright detail © 2024

