

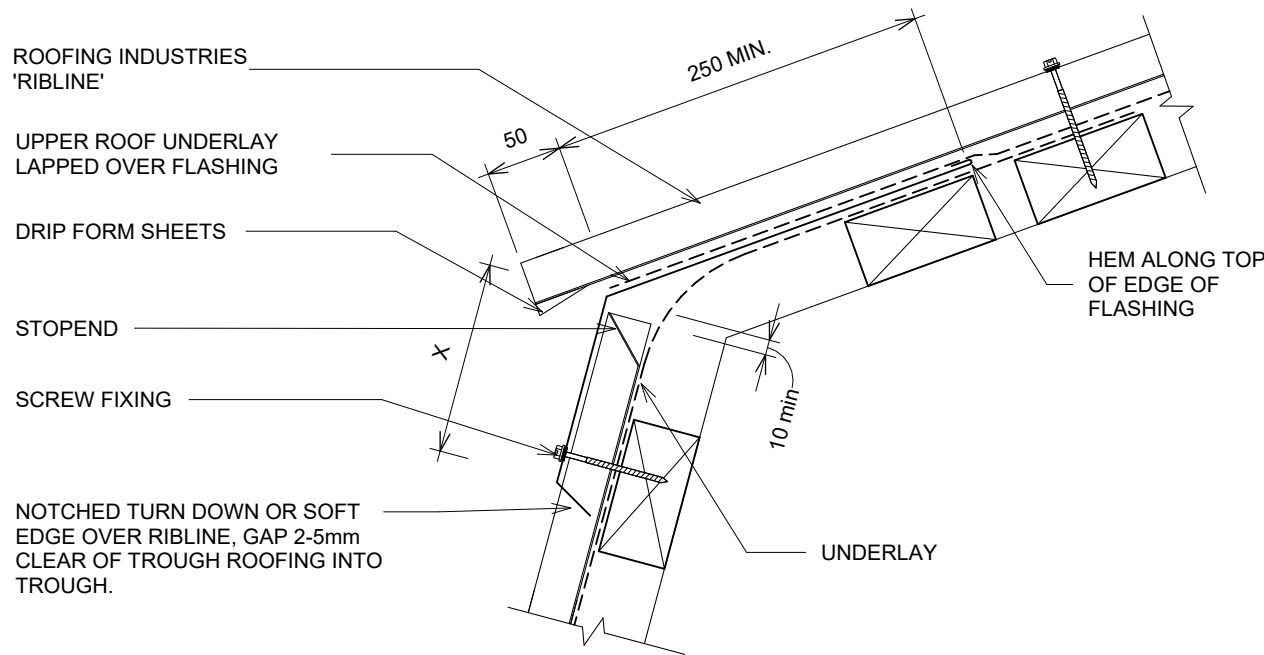
RESIDENTIAL RIBLINE® ROOFING

MANSARD / EXTERNAL CHANGE IN PITCH FLASHING

Detail Number: RI-RRR-150

Date drawn: 25/07/2024

Scale: 1 : 5@ A4



SITE WIND ZONE (As per NZS3604)	MIN mm	(X) ⁽²⁾
	UPPER LAP UNDER ROOFING	TRANSVERSE FLASHING OVER ROOFING
SITUATION 1 ⁽¹⁾	250mm	150mm
SITUATION 2 ⁽¹⁾	250mm	200mm
SITUATION 3 ⁽¹⁾	(3)	

DETAIL ANNOTATION:

1. SITUATION 1, 2 & 3 AS PER E2/AS1 TABLE 7
2. EXCLUDING ANY SOFT EDGE OR TURN DOWN TO ROOFING
3. NOT PERMITTED UNDER E2/AS1, REFER TO NZMRM METAL ROOF & WALL CLADDING CODE OF PRACTICE
4. FASTENERS TO BE COMPATIBLE WITH MATERIAL BEING FIXED AND THE SUITABLE GRADE FOR THE ENVIRONMENT IN WHICH LOCATED
5. REFER TO UNDERLAY MANUFACTURERS REQUIREMENTS FOR INSTALLATION RECOMMENDATIONS

GENERAL NOTES:

- These details are to be read with Roofing Industries Ribline Product Technical Statement.
- The building designer is ultimately responsible to ensure that the details used meet the requirements of the NZ Building Code for the specific project.
- Details of the supporting structure (including cavity battens if used) are indicative only and are the responsibility of the building designer. For steel framed buildings thermal break cavity battens may be required.
- Roof/wall underlay selection are the responsibility of the designer. Underlay to be installed in accordance with underlay manufacturer's recommendations and requirements.
- These details are for Roofing Industries profile/s as nominated and may not be applicable to other profiles.
- This drawing is the copyright of 'Roofing Industries' and can only be copied or reproduced with their permission.
- Further information can be obtained from the NZ Metal Roof & Wall Cladding Code of Practice: www.metalroofing.org.nz or E2/AS1 where applicable.
- Details are for steel-based materials, other substrates may require some changes.
- All dimensions are nominal.
- Fixings: The designer needs to check the screw manufacturer's technical data of the selected screw type for the design wind load and the material being fastened to.

Copyright detail © 2024

