

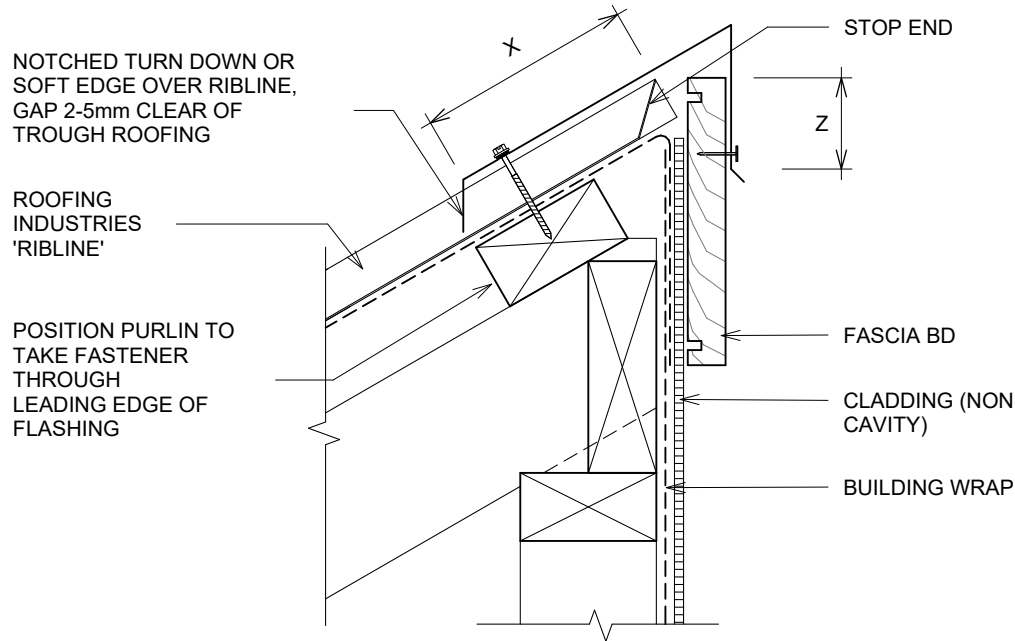
RESIDENTIAL RIBLINE® ROOFING

HEAD BARGE DETAIL

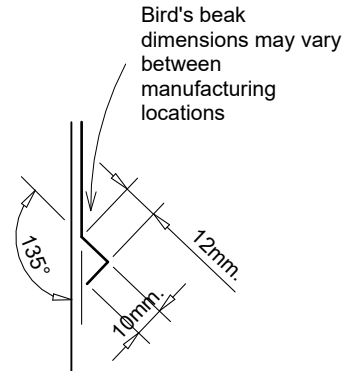
Detail Number: RI-RRR-040

Date drawn: 25/07/2024

Scale: 1 : 5@ A4

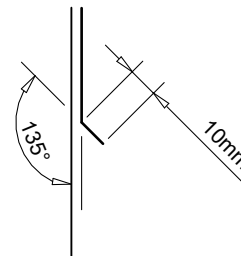


OPTION 01



BIRDS-BEAK at bottom edge of vertical flashing

OPTION 02



KICK-OUT at bottom edge of vertical flashing

SITE WIND ZONE (As per NZS3604)	MINIMUM	
	Z ⁽³⁾	X ⁽⁵⁾
SITUATION 1 ⁽¹⁾	50mm	130mm
SITUATION 2 ⁽¹⁾	70mm	200mm
SITUATION 3 ⁽¹⁾	90mm	200mm

DETAIL ANNOTATION:

- SITUATION 1, 2 & 3 AS PER E2/AS1 TABLE 7
- INCREASE DISTANCE 'Z' BY 25mm WHEN AGAINST A PROFILED SURFACE OR TO 100mm WHICHEVER IS THE LESSER
- EXCLUDING DRIP EDGE
- FASTENERS TO BE COMPATIBLE WITH MATERIAL BEING FIXED AND THE SUITABLE GRADE FOR THE ENVIRONMENT IN WHICH LOCATED
- EXCLUDING ANY SOFT EDGE OR TURN DOWN
- REFER TO UNDERLAY MANUFACTURERS REQUIREMENTS FOR INSTALLATION RECOMMENDATIONS

GENERAL NOTES:

- These details are to be read with Roofing Industries Ribline Product Technical Statement.
- The building designer is ultimately responsible to ensure that the details used meet the requirements of the NZ Building Code for the specific project.
- Details of the supporting structure (including cavity battens if used) are indicative only and are the responsibility of the building designer. For steel framed buildings thermal break cavity battens may be required.
- Roof/wall underlay selection are the responsibility of the designer. Underlay to be installed in accordance with underlay manufacturer's recommendations and requirements.
- These details are for Roofing Industries profile/s as nominated and may not be applicable to other profiles.
- This drawing is the copyright of 'Roofing Industries' and can only be copied or reproduced with their permission.
- Further information can be obtained from the NZ Metal Roof & Wall Cladding Code of Practice: www.metalroofing.org.nz or E2/AS1 where applicable.
- Details are for steel-based materials, other substrates may require some changes.
- All dimensions are nominal.
- Fixings: The designer needs to check the screw manufacturer's technical data of the selected screw type for the design wind load and the material being fastened to.

Copyright detail © 2024

