



EDGESMITH

FINN CONTOUR

Raking Vertically Finned Panel

PRODUCT CODE:

FINCON-1.8-FLATP-PCB

MATERIAL:

- Aluminium
- Pickets 65 x 16 x 1.2mm
- Rails Two Piece 40 x 40 x 2.0mm

FINISH:

Powder Coated Black

WEIGHT:

22.4 kg

FIXINGS:

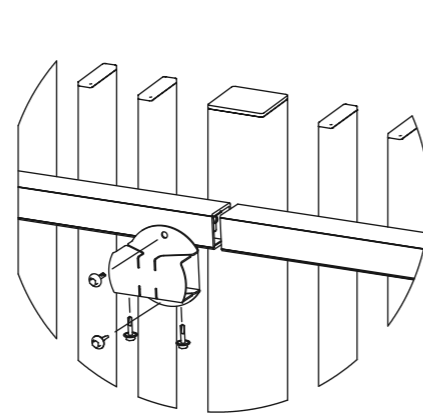
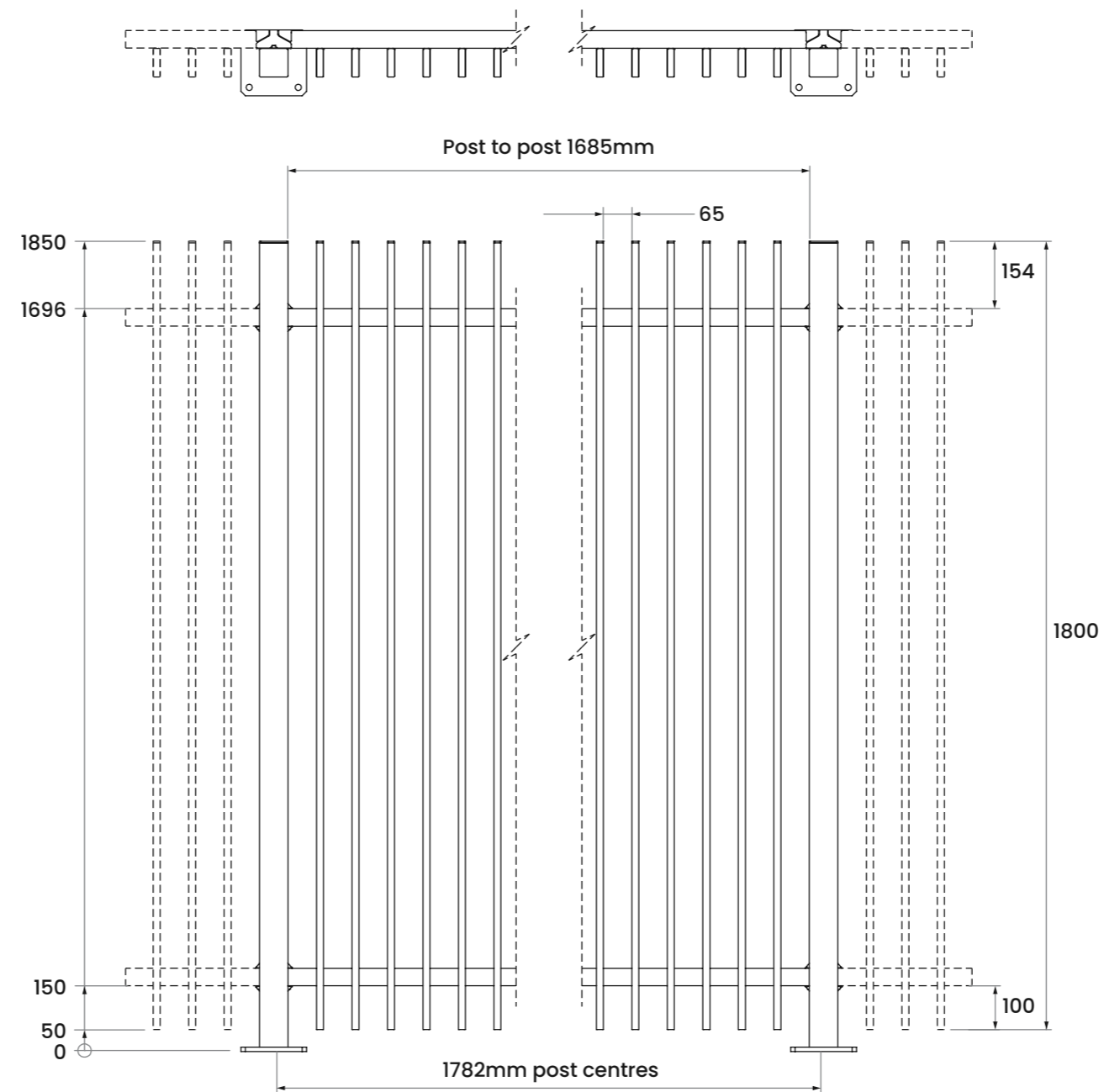
- Brackets, Tek Screws, and Cap Screws

RECOMMENDED POST :

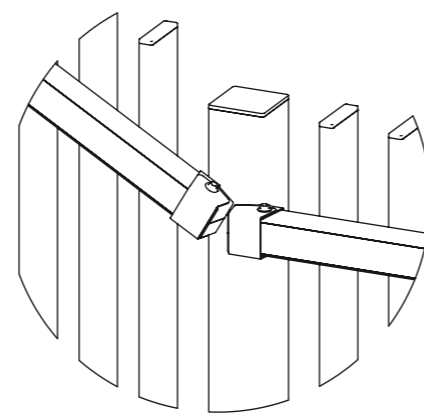
- Fence Post Inground
2.5mH 65 x 2.5mm SHS Ali
- Fence Post Flanged
1.9mH 65 x 2.5mm SHS Ali



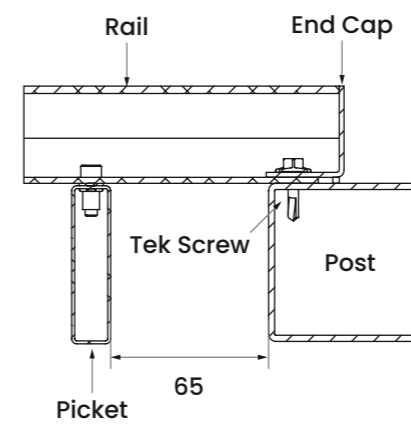
For more information scan the QR code



Thru Bracket



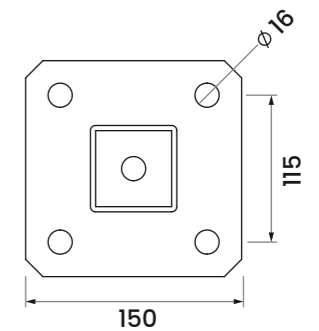
Swivel Brackets



Rail Bracket Detail

Fixings

- On Concrete:
M12 x 100 Screw Anchor
- On Timber:
M12 x 120min Coach Screw



Flange Post

- Post Size: SHS 65mm
- Flange Thickness: 10mm

Inground Post

