



EDGESMITH

FINN CONTOUR

BALUSTRADE
Raking Vertically Finned Panel

PRODUCT CODE:

FINCON-1.2-FLATP-PCB

MATERIAL:

- Aluminium
- Pickets 65 x 16 x 1.2mm
- Rails Two Piece 40 x 40 x 2.0mm

FINISH:

Powder Coated Black

WEIGHT:

11.3 kg

FIXINGS:

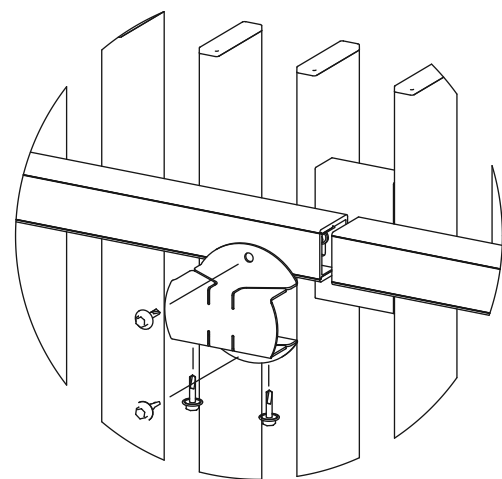
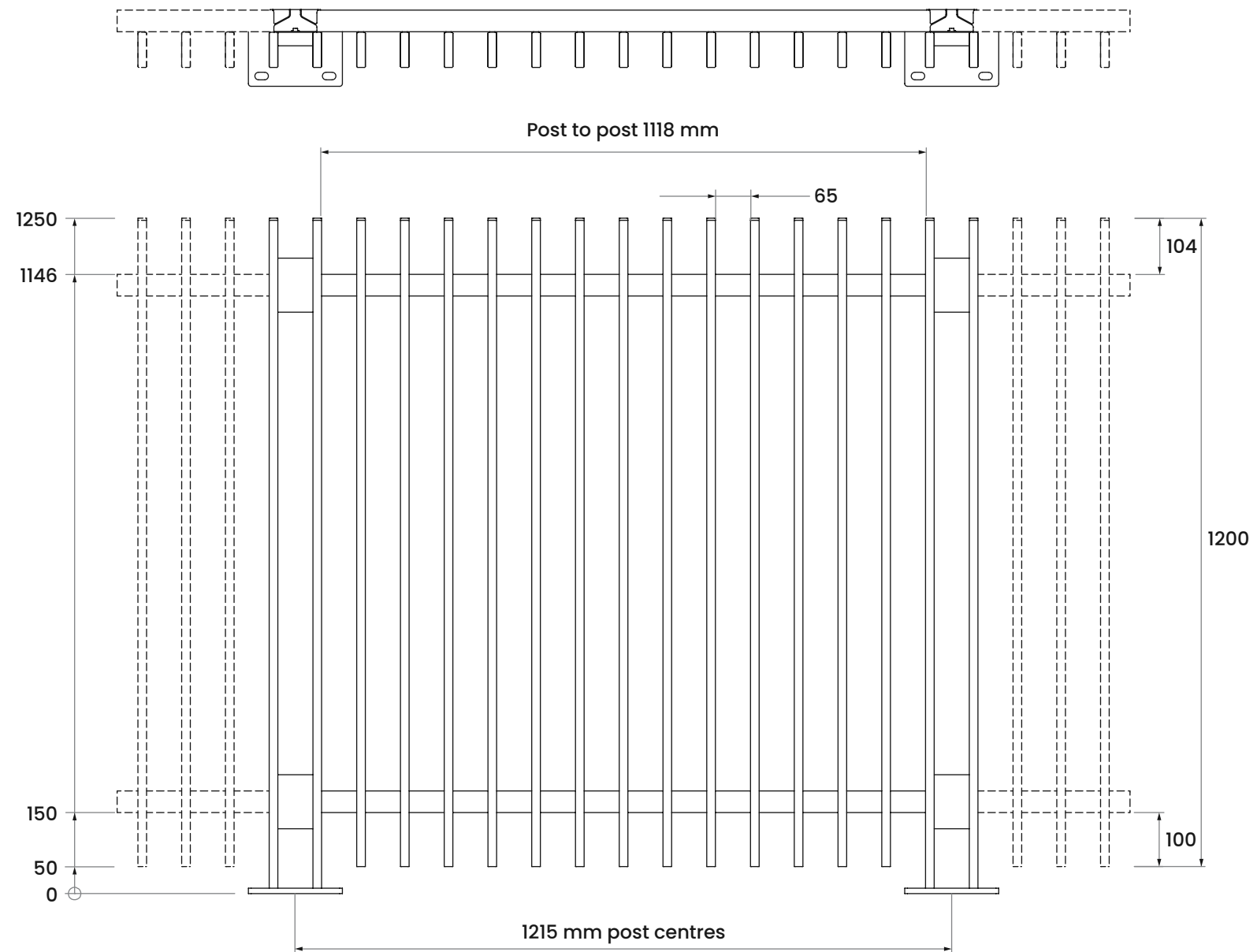
- Brackets , Tek Screws, and Cap Screws

RECOMMENDED POST :

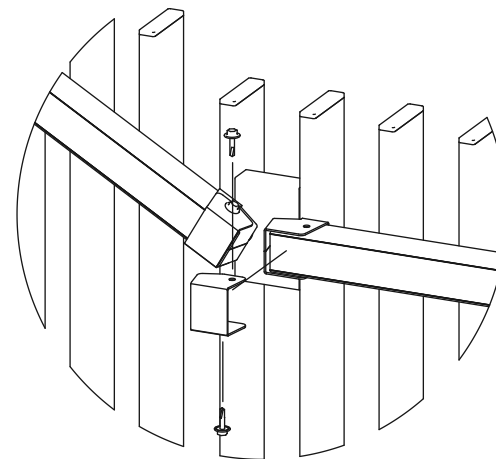
- Fence Post Inground FINPOST-1.95-IG-PCB
- Fence Post Flanged FINPOST-1.25-FL-PCB



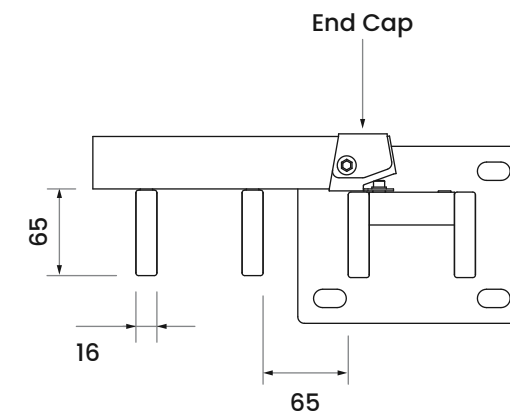
For more information scan the QR code



Thru Bracket



Swivel Brackets



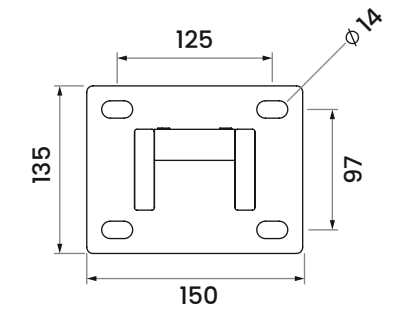
End Cap

Rail Bracket Detail

Fixings

Check PS1 for Balustrade Fixings

- On Concrete:
M12 x 100 Screw Anchor
- On Timber:
M12 x 120min Coach Screw



Flange Post

Post Size: 81 x 65mm
Flange Thickness: 10mm

Inground Post

